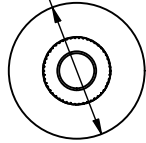
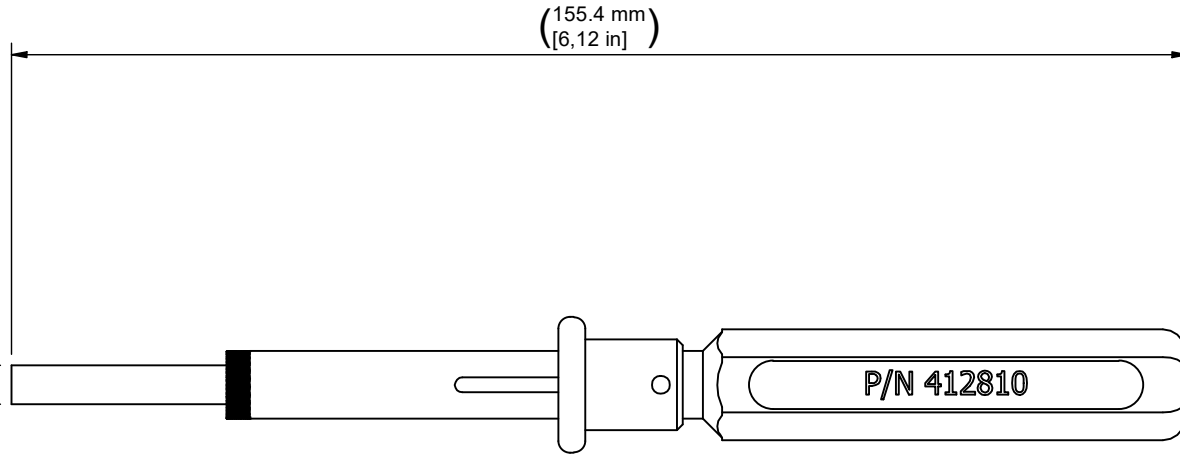


Ø17.9 mm  
[Ø0,71 in]



5.14 mm  
[0,203 in]



(155.4 mm)  
[6,12 in]

P/N 412810

COMMENTS / NOTES

MACPANEL

WWW.MACPANEL.COM

DRAWN BY  
bsalvatini

DATE

4/10/2026



Third Angle  
Projection

DESCRIPTION

EXTRACTION TOOL, RUGGED X  
BEAM

DRAWING NO.

412810

REVISION

A

SHEET

1 OF 1