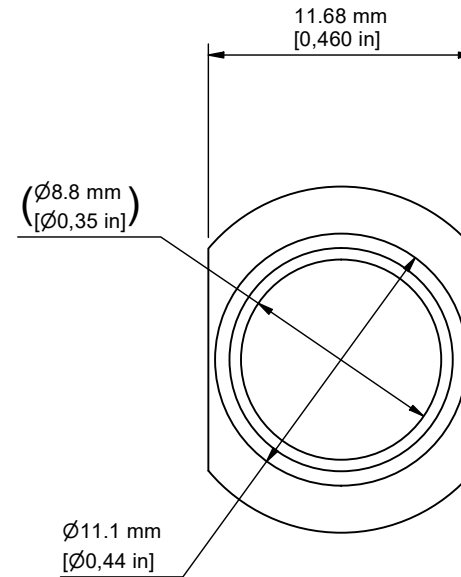
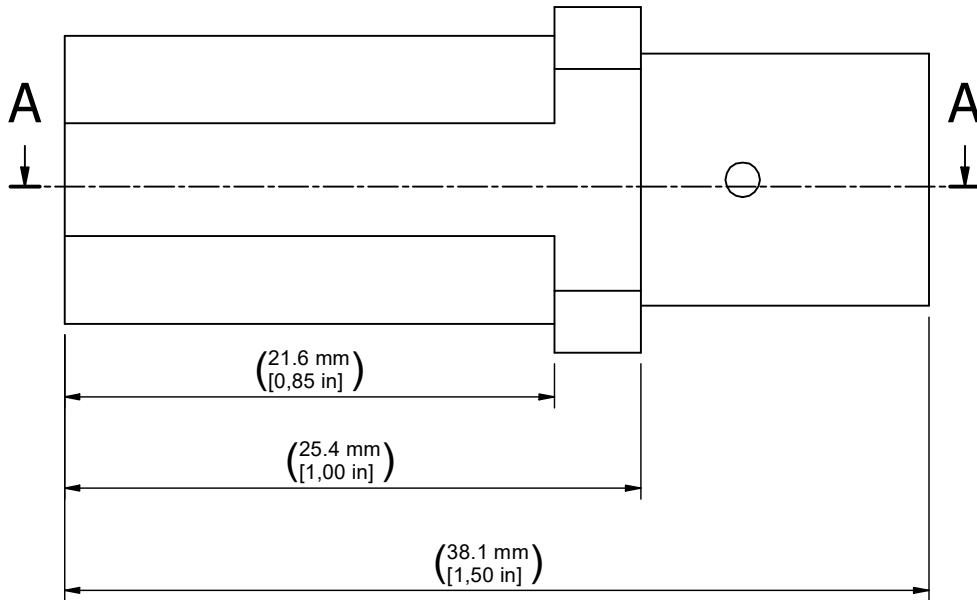


A-A (3 : 1)



COMMENTS / NOTES

ACCEPTS AS-105-14-BLACK, Silicone Flex PWR CBL, 2AWG, 7x7x54/36 STR, 66150CMA, .476OD
 REFER TO MP TEST DATA AND INSTALLATION GUIDELINES BEFORE USAGE.
 CONSULT MP APPLICATIONS ENGINEERING FOR SPECIFIC APPLICATIONS



WWW.MACPANEL.COM

DRAWN BY ARAMOS	DATE 3/10/2021
 Third Angle Projection	
SHEET 1 OF 1	

DESCRIPTION
**150 AMP CONTACT ASSEMBLY,
 FEMALE-HIGH POWER**

DRAWING NO. 5517701	REVISION A
------------------------	---------------