

(0.256)

SSW-115-04-G-T
8

832H45
4

5519640
1

832F45
4

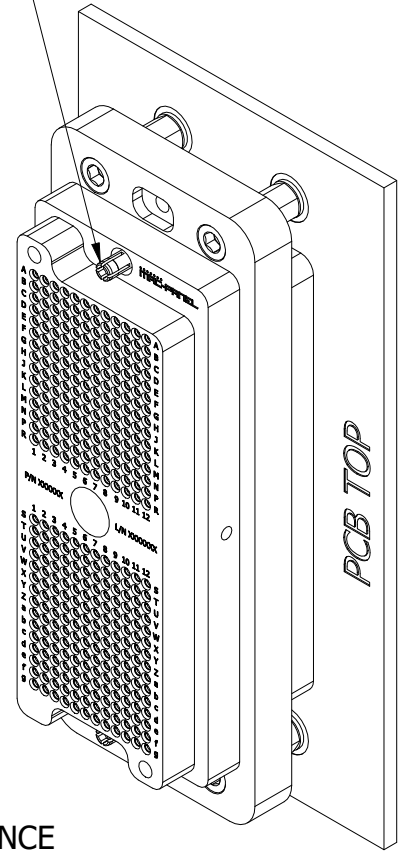
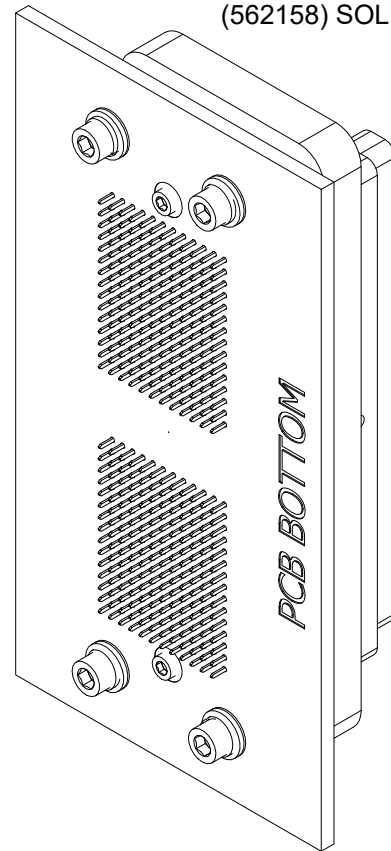
91115A194
4

M5610-258-31
4

92141A009
4

MS35338-137
4

GROUND LUGS (562894) AND
APEX SOCKET CONNECTOR
(562158) SOLD SEPARATELY



APPLICATION REFERENCE

9	4	92141A009	#8 FLAT WASHER, STAINLESS
7	4	832H45	8-32 SOCKET HD SCREW
6	4	91115A194	F-F 8-32 HEX STANDOFF, .375L, .250 FLATS
5	1	5519640	PCB SPACER, APEX 360, FOR .375" STANDOFF
4	4	MS35338-137	WASHER, SPLIT LOCK, #8
3	4	832F45	8-32 X 0.375 SKT CAP SST (ASSY)
2	4	M5610-258-31	WASHER, NYLON, WHITE, .170 I.D. X .283 O.D. X .031 THK
1	8	SSW-115-04-G-T	SOCKET STRIP HEADER, THT, 15X3 POS, .584L TAIL
ITEM	QTY	PART NUMBER	DESCRIPTION

PARTS LIST

COMMENTS / NOTES

1. SUPPORTS PCB THICKNESS UP TO .200".

MAC-PANEL

WWW.MACPANEL.COM

DRAWN BY
JWALKER

DATE
6/15/2021

Third Angle
Projection

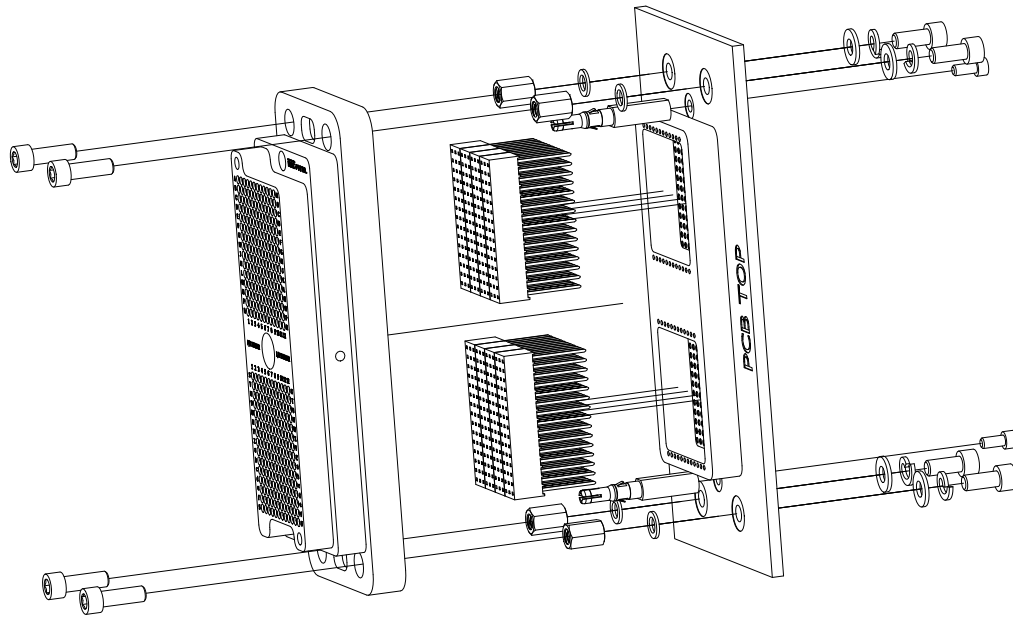
SHEET
1 OF 3

DESCRIPTION

Header Kit, APEX 360 PCB, Socket

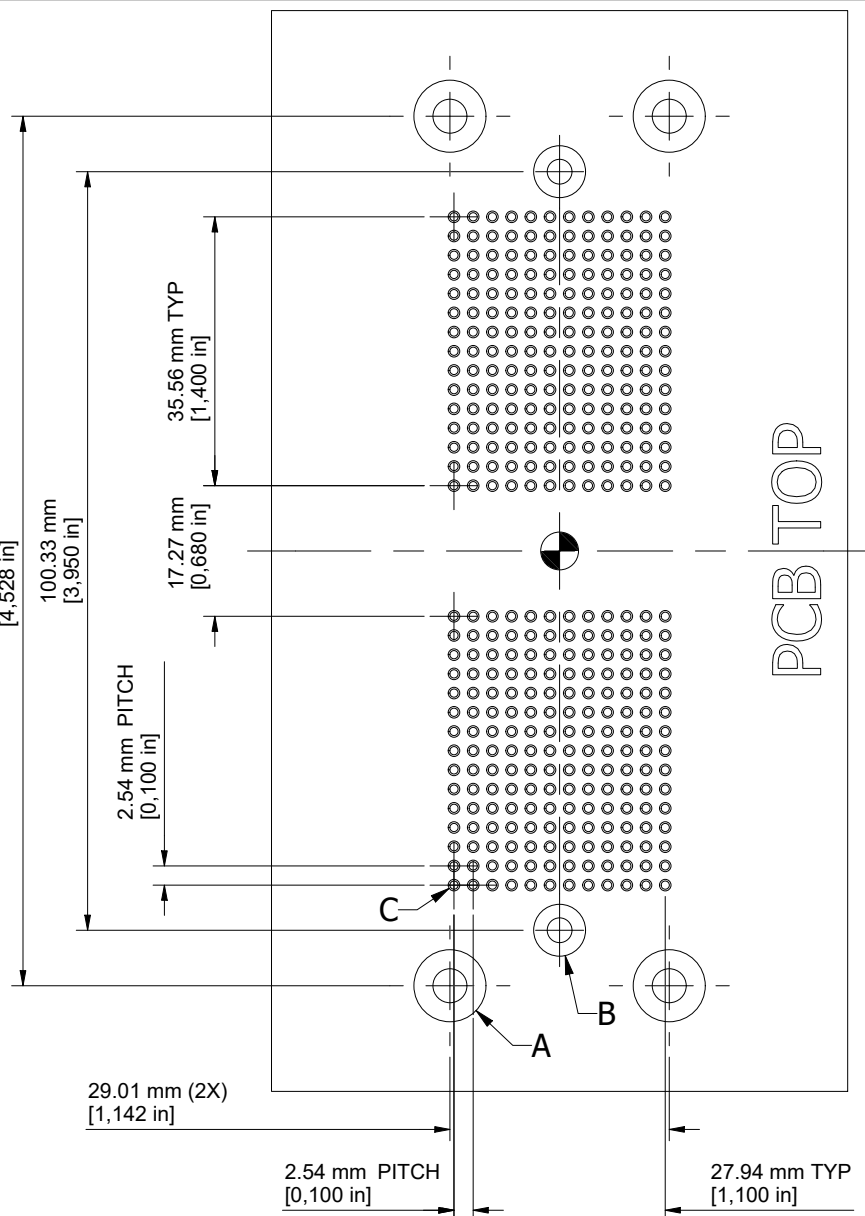
DRAWING NO.
565863-CU

REVISION
NR



EXPLODED VIEW

115.01 mm (2X)
[4,528 in]



PCB FOOTPRINT

HOLE	QUANTITY	DESCRIPTION
A	4	DIA .187 - .177 NON-PLATED THRU DIA .375 - .385 PLATED ANNULAR RING (BOTH SIDES) PLACE CONNECTING VIAS DIA 0.015 (8X) EVEN SPACING BETWEEN TOP/BOTTOM ANNULAR RINGS
B	2	DIA .129 - .139 NON-PLATED THRU DIA .275 - .265 PLATED ANNULAR RING (BOTH SIDES) PLACE CONNECTING VIAS DIA 0.015 (8X) EVEN SPACING BETWEEN TOP/BOTTOM ANNULAR RINGS
C	360	DIA .036 - .046 PLATED THRU DIA .065 - .055 PLATED ANNULAR RING (BOTH SIDES)
Hole Table		

COMMENTS / NOTES

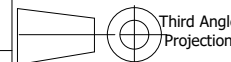
DIMENSIONS ARE LOCATED CENTRALLY ABOUT ORIGIN



WWW.MACPANEL.COM

DRAWN BY
JWALKER

DATE
6/15/2021



SHEET
2 OF 3

DESCRIPTION

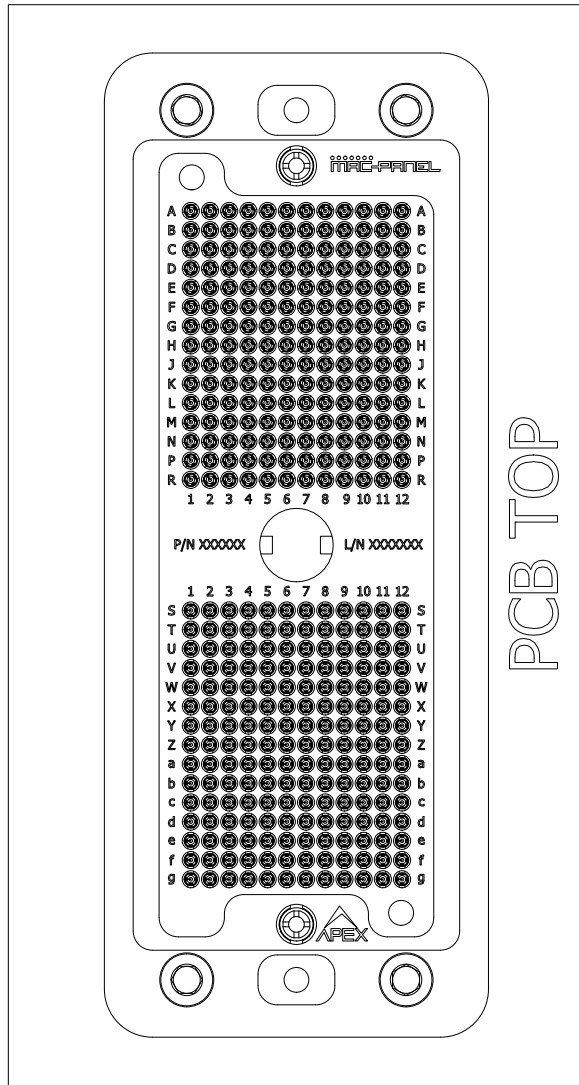
Header Kit, APEX 360 PCB, Socket

DRAWING NO.

565863-CU

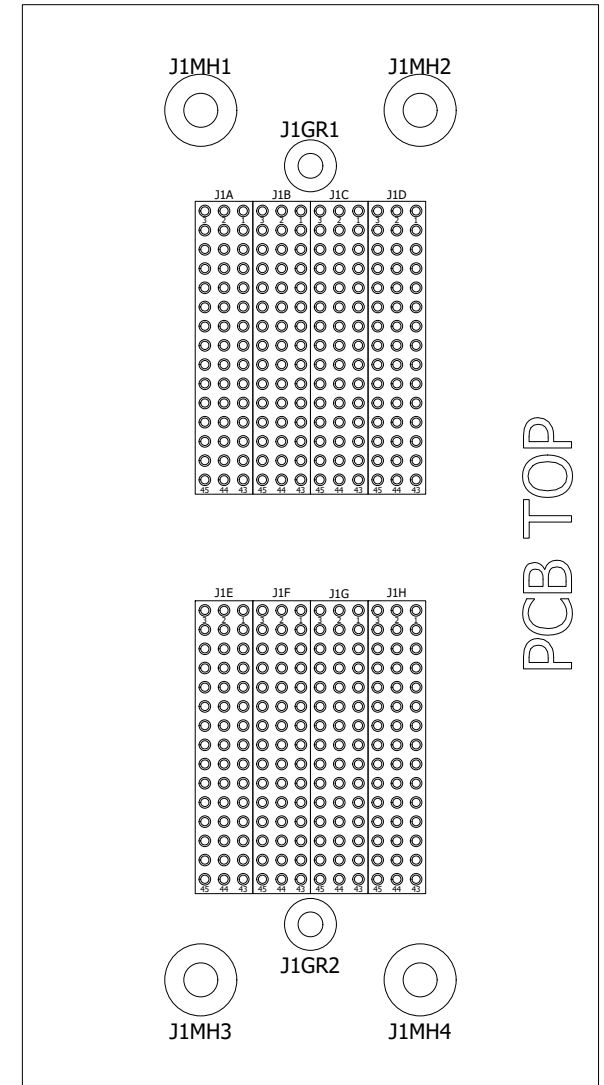
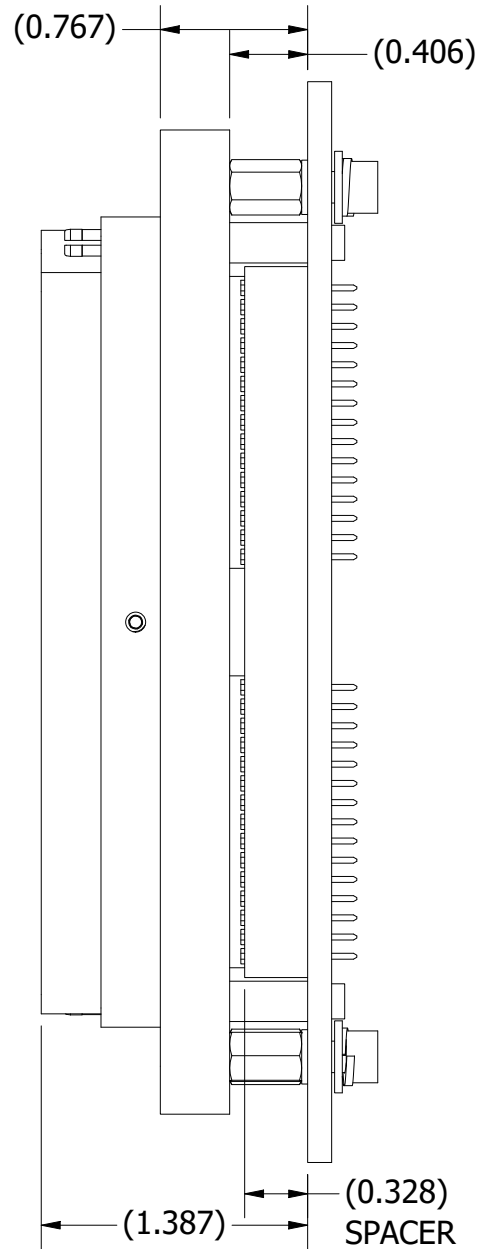
REVISION

NR



PCB TOP

APEX AND HEADER KIT INSTALLED



PCB TOP

PCB TOP

COMMENTS / NOTES

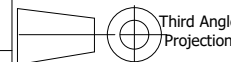
REFER TO EXCEL SPREADSHEET "565863-CU.XLSX" TO DETERMINE PIN MAPPING AND REFERENCE DESIGNATOR MAPPING BETWEEN PCB ASSEMBLY AND HIGHER LEVEL ASSEMBLY.



WWW.MACPANEL.COM

DRAWN BY
JWALKER

DATE
6/15/2021



SHEET
3 OF 3

DESCRIPTION

Header Kit, APEX 360 PCB, Socket

DRAWING NO.

565863-CU

REVISION

NR