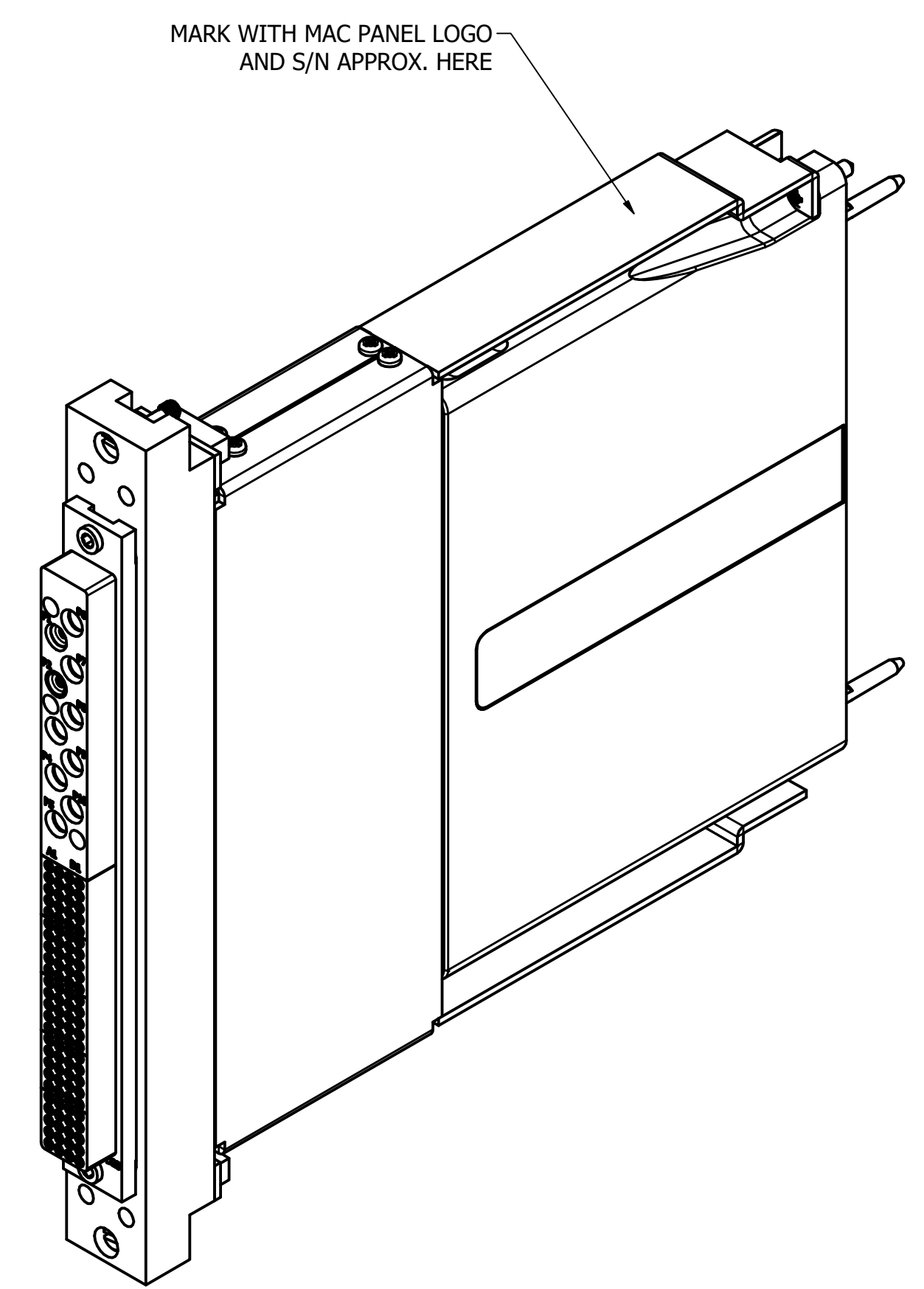
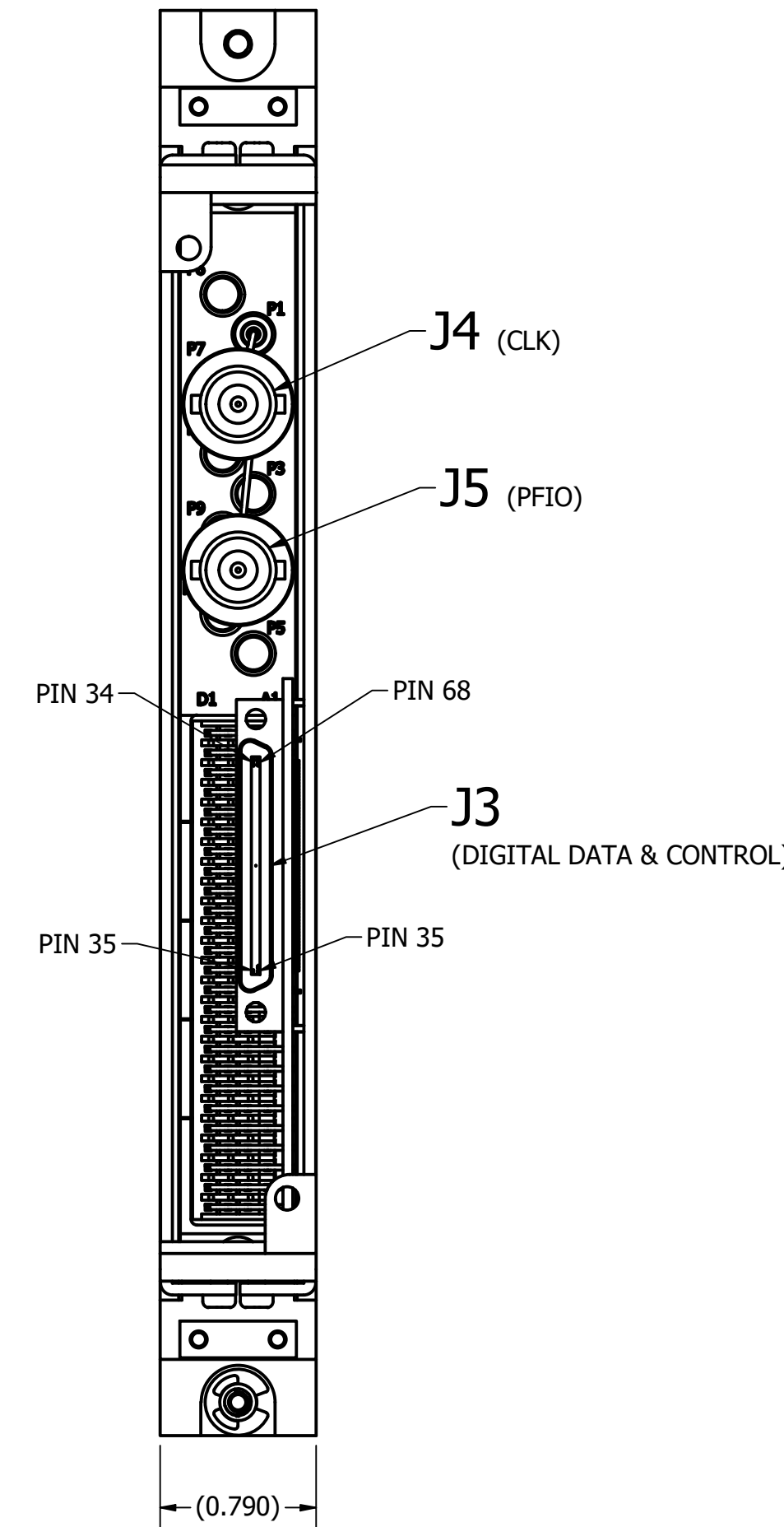
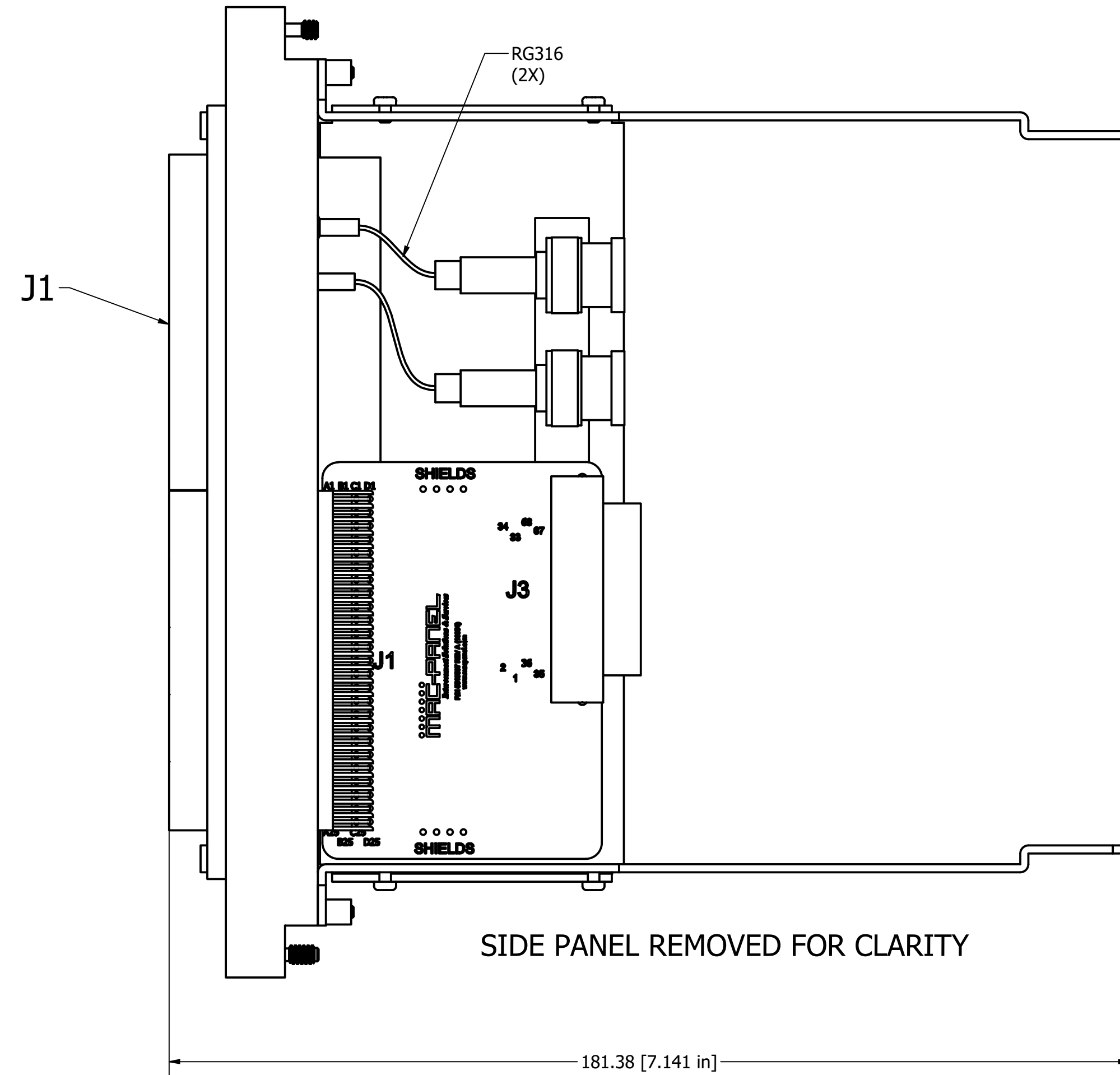
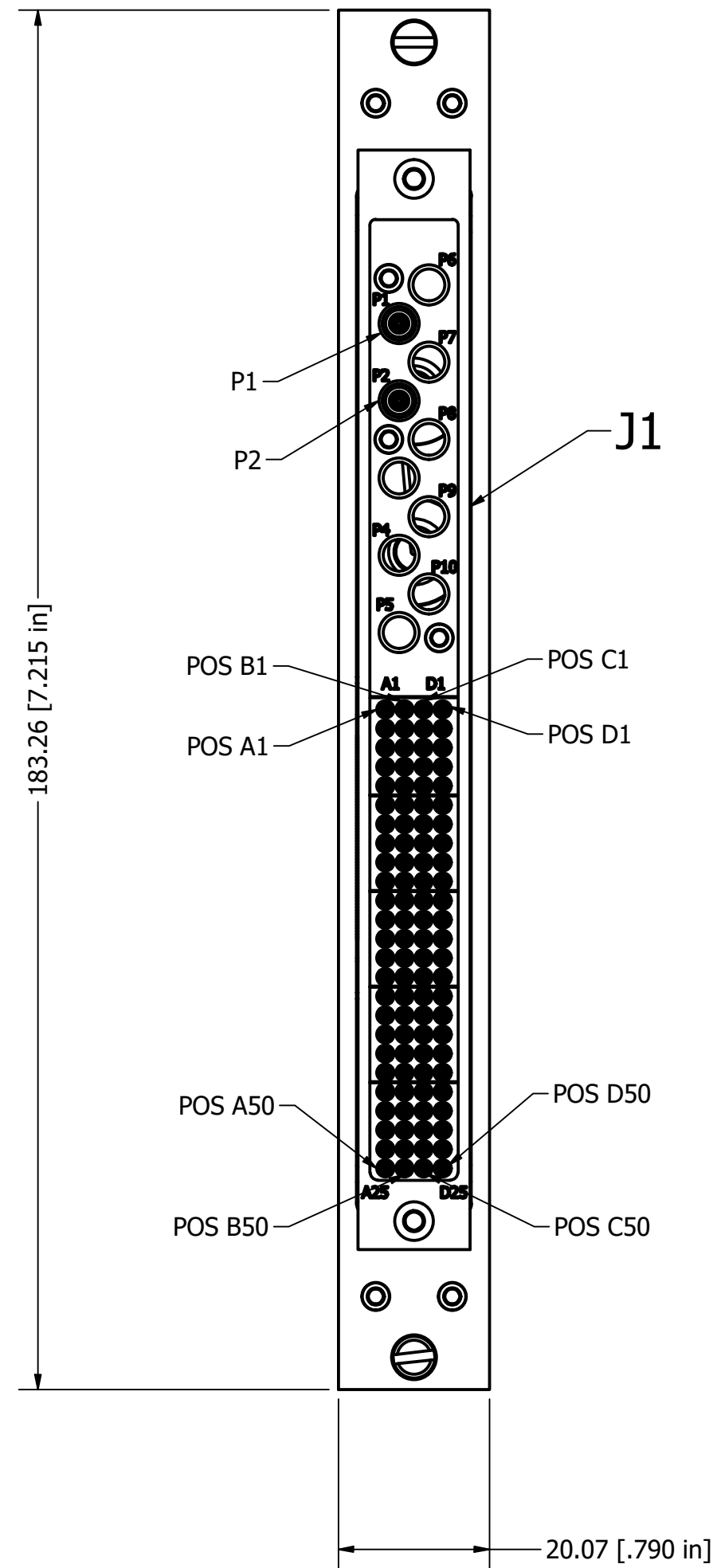


NOTES:

1. USE INSTRUCTION SHEET IN91100 FOR ATTACHING DAK TO PXI CARD.
2. RECEIVER/ ITA MODULE TO BE KEYED ON BOTTOM
3. MATING ITA MODULE P/N 561896
4. PINOUT FOR PCB 5518597WL, REV A
5. APPLY PURPLE LOCTITE TO 256L45 SCREWS.
6. P/N NI-6584 IS NOT INCLUDE, USE TO SHOW CONNECTION IN ASSEMBLY
8. ENSURE CONNECTOR P/N 10559-01 (2X) CAN EXTEND PAST END OF PCB AT LEAST 1"
9. P/N 10559-01 USE CURRENT INSTRUCTION SHEET FROM AMPHENOL



P/N NI-6584, NOT INCLUDED SHOWN FOR ASSEMBLY

BALLOON LEGEND	
PART NUMBER	QTY

MAC PANEL PROPRIETARY
This document may contain confidential and proprietary information that is the property of MAC Panel Company that may not be disclosed to, or duplicated for others except as authorized by MAC Panel Company.

TOLERANCES (UNLESS OTHERWISE SPECIFIED)
SHEET METAL MACHINED
ANGLES ± 1° ANGLES ± 1°
XX ± .03 .XX ± .01
XXX ± .010 .XXX ± .005
.XXXX ± .0005 .XXXX ± .0005

REMOVE ALL BURRS AND BREAK SHARP EDGES.

Third Angle Projection

DRAWN BY DCooper	18/05/2020	MAC PANEL COMPANY - HIGH POINT, NC	
ENGINEERING		TITLE	
OPERATIONS		DAK, PCB, Ext, 562180, 68Pin VHDCI Male X2-BNC, W/O NI 6584	
MANUFACTURING		SIZE	CAGE CODE DWG NO
ASSEMBLY		D	16654 561781X1-CU
MATERIAL USED		SCALE	REV
			A
		SPN: 561711X1	SHEET 1 OF 2

NOTES:

1. USE INSTRUCTION SHEET IN91100 FOR ATTACHING DAK TO PXI CARD.
2. RECIEVER/ ITA MODULE TO BE KEYED ON BOTTOM
3. MATING ITA MODULE P/N 561896
4. PINOUT FOR PCB 5518597WL, REV A
5. APPLY PURPLE LOCTITE TO 256L45 SCREWS.
6. P/N NI-6584 IS NOT INCLUDE, USE TO SHOW CONNECTION IN ASSEMBLY
8. ENSURE CONNECTOR P/N 10559-01 (2X) CAN EXTEND PAST END OF PCB AT LEAST 1"
9. P/N 10559-01 USE CURRENT INSTRUCTION SHEET FROM AMPHENOL

DOC NO. 5518597WL

DAK EXTENED CABLE LIST 5518597WL , REV-A

J1	NI-6584 DAMF CONNECTORS
P1	J4
P2	J5

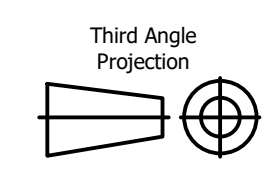
J1	J3	J1	J3
A1	34	C1	68
A2	32	C2	66
A3	30	C3	64
A4	28	C4	62
A5	26	C5	60
A6	24	C6	58
A7	22	C7	56
A8	20	C8	54
A9	18	C9	52
A10	16	C10	50
A11	14	C11	48
A12	12	C12	46
A13	10	C13	44
A14	8	C14	42
A15	6	C15	40
A16	4	C16	38
A17	2	C17	36
J1	J3	J1	J3
B1	33	D1	67
B2	31	D2	65
B3	29	D3	63
B4	27	D4	61
B5	25	D5	59
B6	23	D6	57
B7	21	D7	55
B8	19	D8	53
B9	17	D9	51
B10	15	D10	49
B11	13	D11	47
B12	11	D12	45
B13	9	D13	43
B14	7	D14	41
B15	5	D15	39
B16	3	D16	37
B17	1	D17	35

BALLOON LEGEND

PART NUMBER
QTY

MAC PANEL PROPRIETARY
This document may contain confidential and proprietary information that is the property of MAC Panel Company that may not be disclosed to, or duplicated for others except as authorized by MAC Panel Company.

TOLERANCES (UNLESS OTHERWISE SPECIFIED)
SHEET METAL MACHINED
ANGLES ± 1° ANGLES ± 1°
.XX ± .03 .XX ± .01
.XXX ± .010 .XXX ± .005
.XXXX ± .0005 .XXXX ± .0005
REMOVE ALL BURRS AND BREAK SHARP EDGES.



DRAWN BY DCooper	18/05/2020	MAC PANEL COMPANY - HIGH POINT, NC	
ENGINEERING		TITLE	
OPERATIONS		DAK, PCB, Ext, 562180, 68Pin VHDCI Male X2-BNC, W/O NI 6584	
MANUFACTURING		SIZE	CAGE CODE DWG NO
ASSEMBLY		D	16654 561781X1-CU
MATERIAL USED		SCALE	SPN: 561711X1 SHEET 2 OF 2
		REV	A