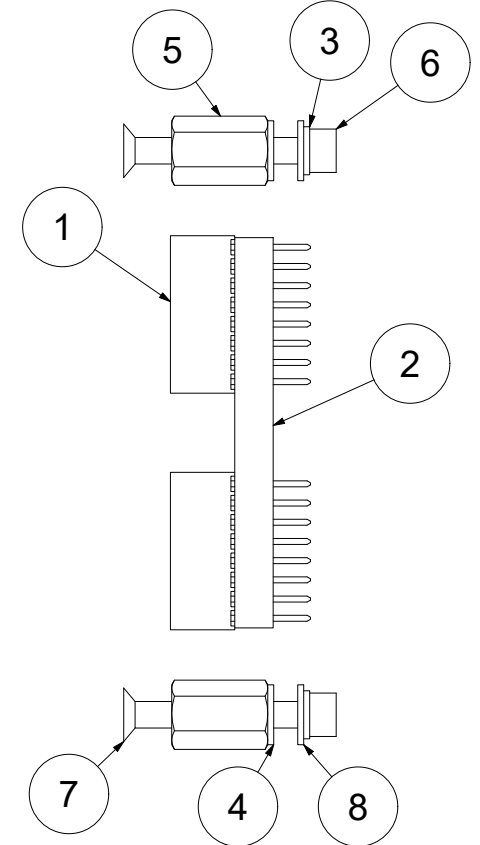
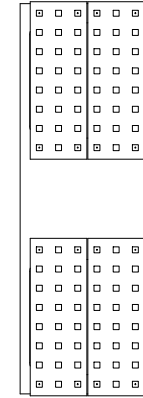
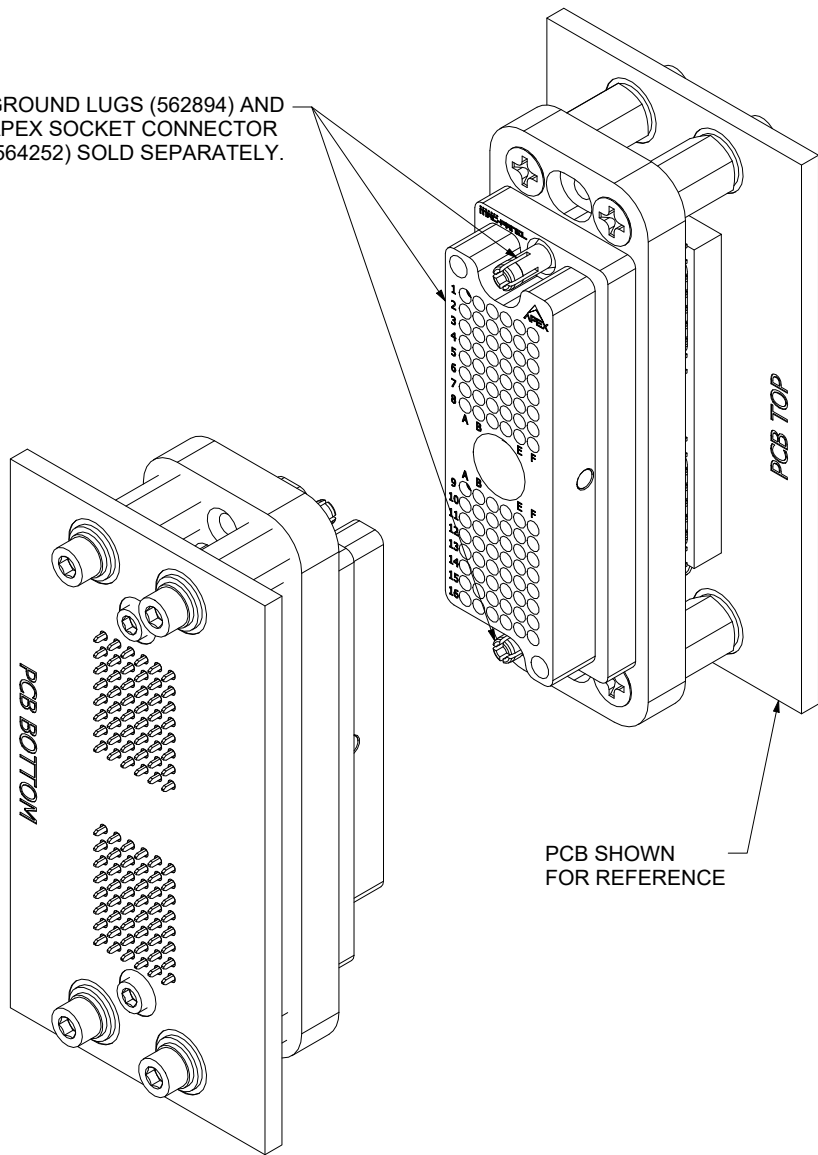


GROUND LUGS (562894) AND APEX SOCKET CONNECTOR (564252) SOLD SEPARATELY.



8	4	92141A008	18-8 SS WASHER, #6, .156"ID, .312"OD
7	4	632H115	6-32 X 1/2 PHIL FHMS,100 DEG
6	4	632G45	6-32 SOCKET HD SCREW
5	4	91115A243	SS FEMALE THREADED HEX STANDOFF, 5/16 HEX, 1/2" L, 6-32
4	4	90295A380	NYLON PLASTIC WASHER, #6, .156"ID, .312"OD
3	4	MS35338-41	WASHER,LOCK-SPRING,6-32,HELI
2	1	5519636	PCB SPACER, APEX 96, FOR .500" STANDOFF
1	4	SSW-108-03-G-T	.100" PITCH SKT HEADER, 8 ROW, 3 COLUMN, .394PC TAIL
ITEM	QTY	PART NUMBER	DESCRIPTION

Parts List

COMMENTS / NOTES

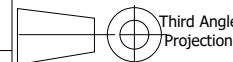
1. SUPPORTS PCB THICKNESS UP TO .125".
(USE SSW-108-04-G-T FOR THICKNESSES UP TO .300".)

MAC-PANEL

WWW.MACPANEL.COM

DRAWN BY
JWALKER

DATE
3/29/2021



Third Angle
Projection

DESCRIPTION

Header Kit,APEX 96 PCB,Socket

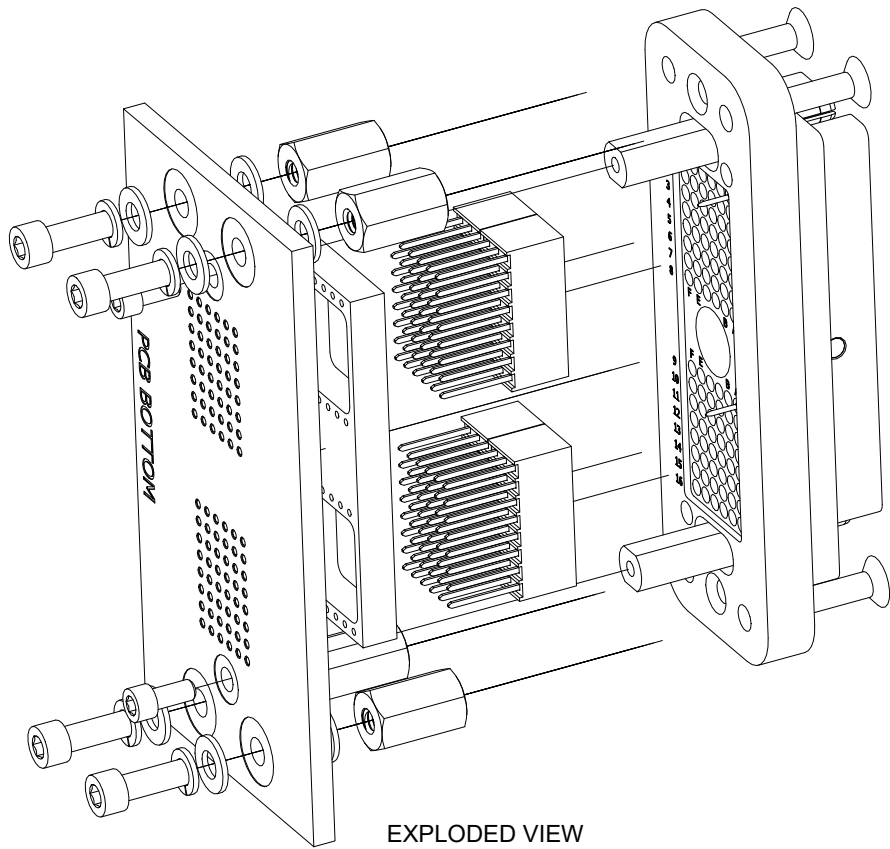
DRAWING NO.

565812-CU

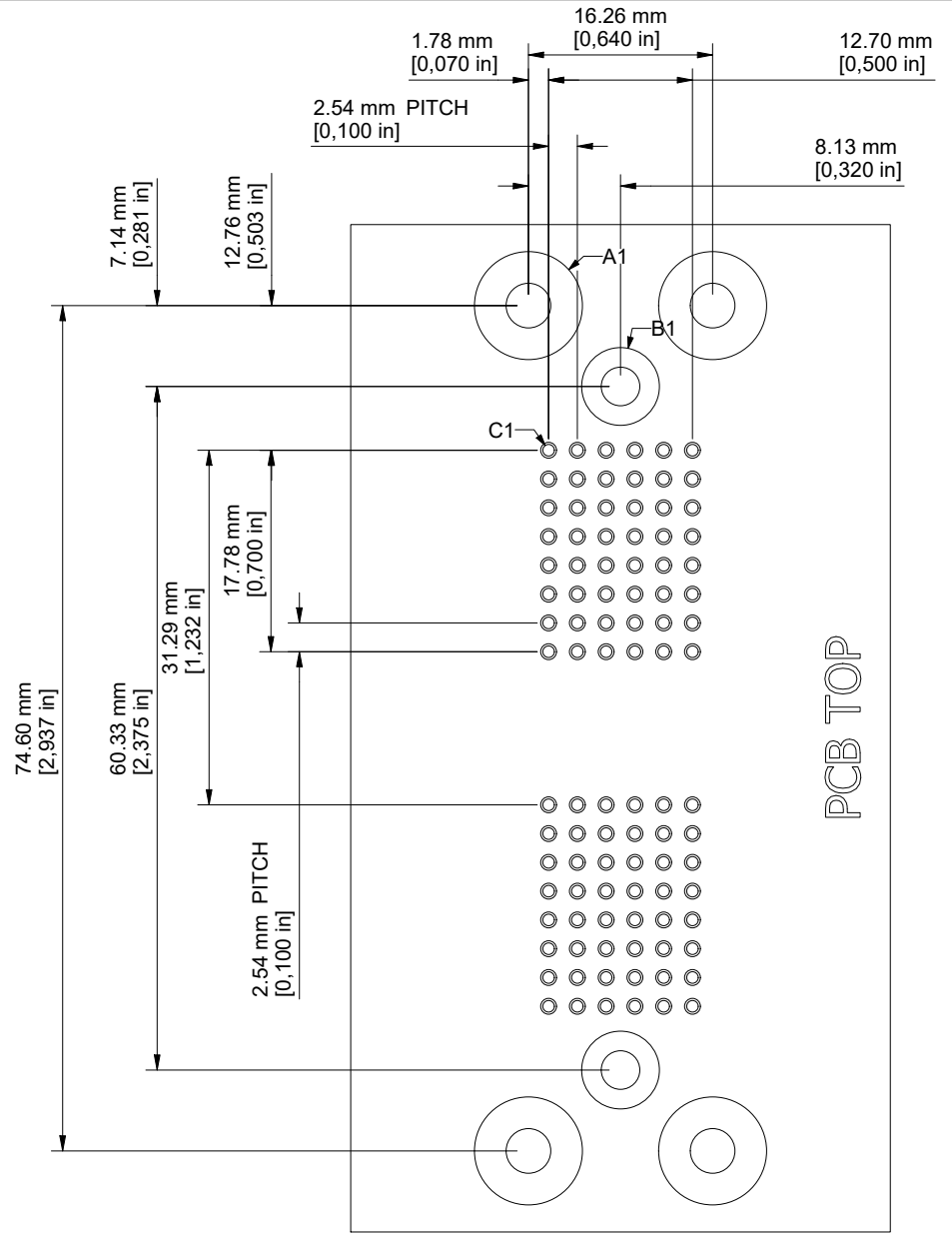
REVISION

NR

SHEET
1 OF 3



EXPLODED VIEW



PCB FOOTPRINT

HOLE	QTY	DESCRIPTION
A1	4	$\varnothing 0.150 - 0.160$ in NON-PLATED THRU (#6 CLEARANCE HOLE) $\varnothing 0.365 - 0.385$ in PLATED ANNULAR RING (BOTH SIDES) PLACE CONNECTING VIAS $\varnothing 0.015$ (8X) EVEN SPACING BETWEEN TOP/BOTTOM ANNULAR RINGS
B1	2	$\varnothing 0.129 - 0.139$ in NON-PLATED THRU (#4 CLEARANCE HOLE) $\varnothing 0.260 - 0.280$ in PLATED ANNULAR RING (BOTH SIDES) PLACE CONNECTING VIAS $\varnothing 0.015$ (8X) EVEN SPACING BETWEEN TOP/BOTTOM ANNULAR RINGS
C1	96	$\varnothing 0.039 - 0.046$ in PLATED THRU $\varnothing 0.055 - 0.065$ in PLATED ANNULAR RING (BOTH SIDES)
HOLE	QTY	DESCRIPTION

Hole Table

COMMENTS / NOTES



WWW.MACPANEL.COM

DRAWN BY
JWALKER

DATE
3/29/2021

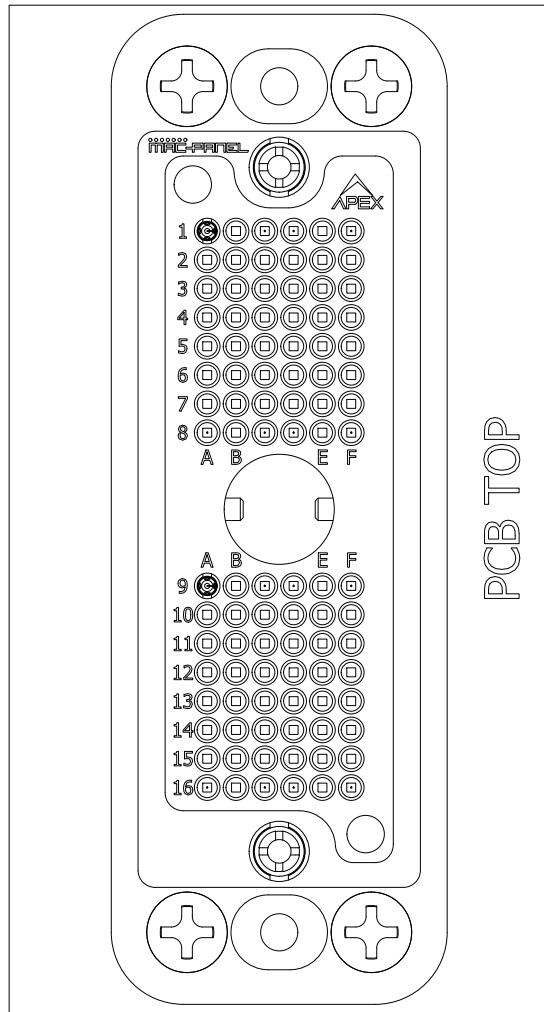
Third Angle
Projection

SHEET
2 OF 3

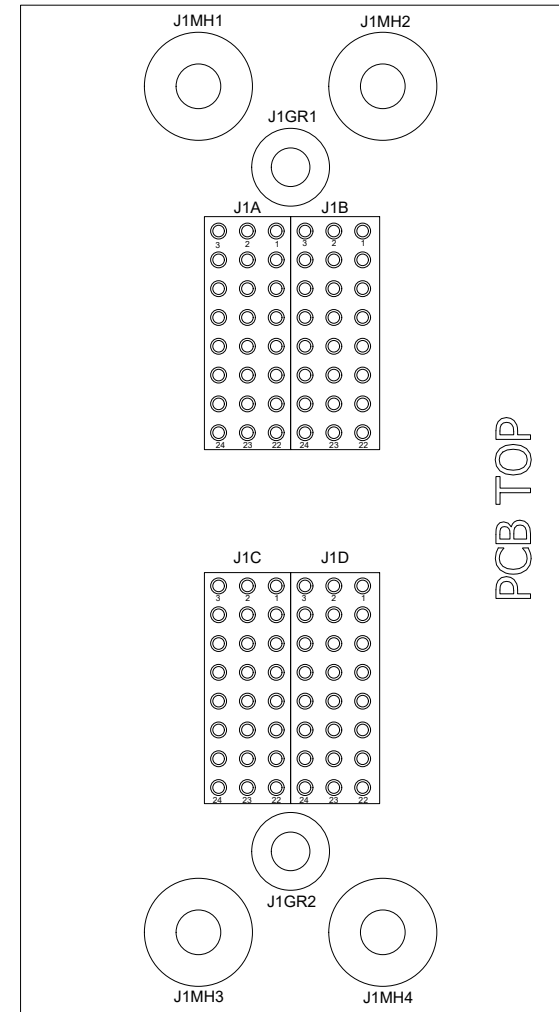
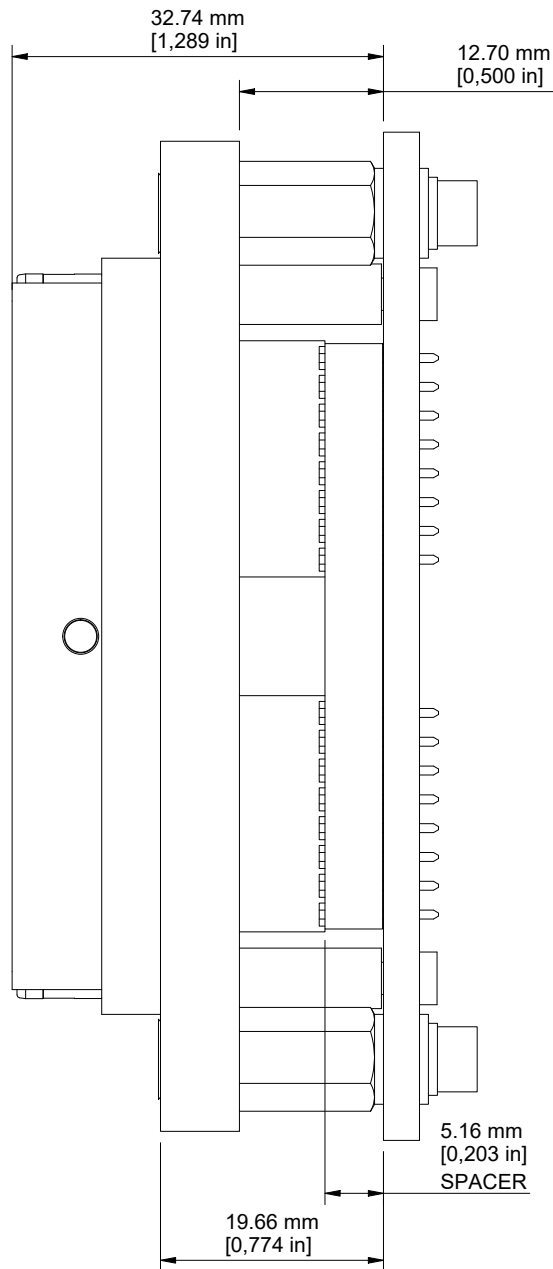
DESCRIPTION
Header Kit, APEX 96 PCB, Socket

DRAWING NO.
565812-CU

REVISION
NR



APEX AND HEADER KIT INSTALLED



PCB TOP

COMMENTS / NOTES

REFER TO EXCEL SPREADSHEET "565812-CU.XLSX" TO DETERMINE PIN MAPPING AND REFERENCE DESIGNATOR MAPPING BETWEEN PCB ASSEMBLY AND HIGHER LEVEL ASSEMBLY



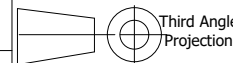
WWW.MACPANEL.COM

DRAWN BY
JWALKER

DATE
3/29/2021

DESCRIPTION

Header Kit,APEX 96 PCB,Socket



SHEET
3 OF 3

DRAWING NO.

565812-CU

REVISION

NR