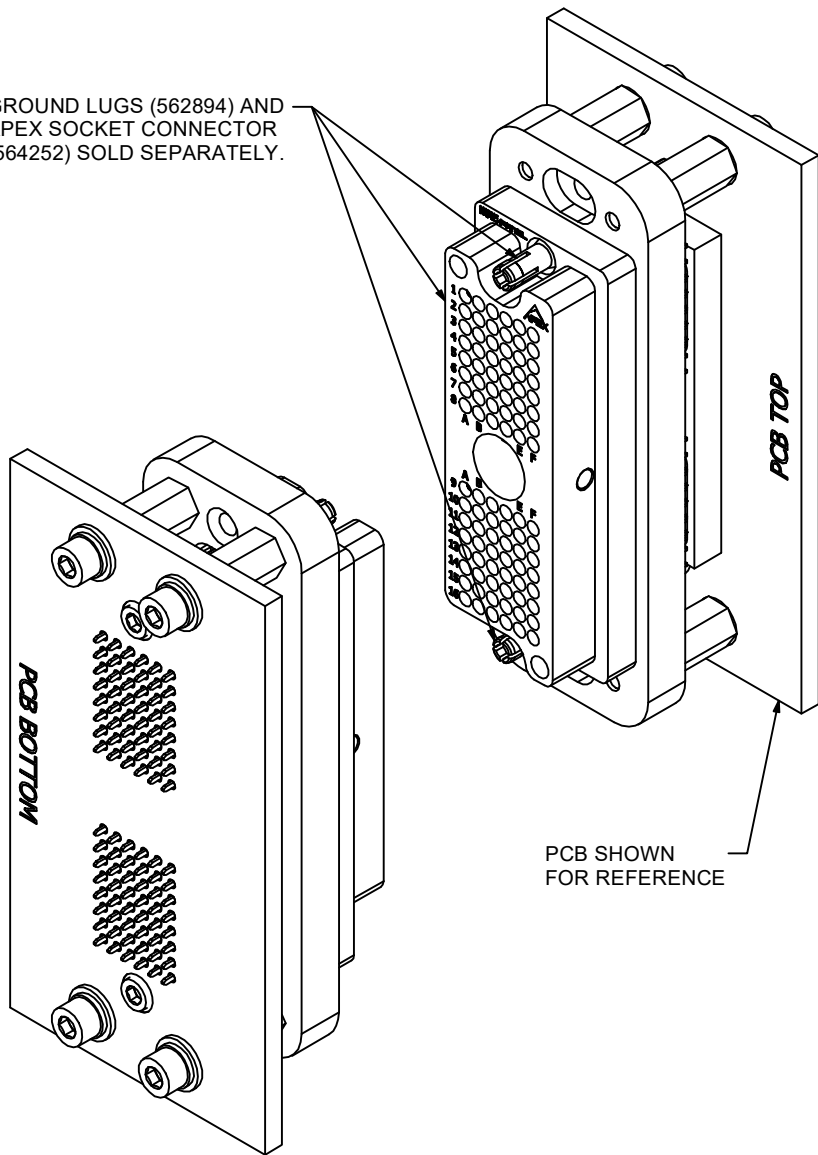
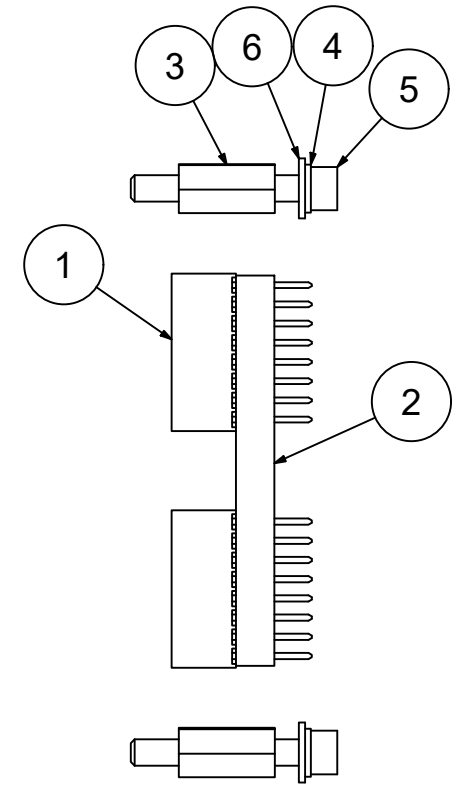
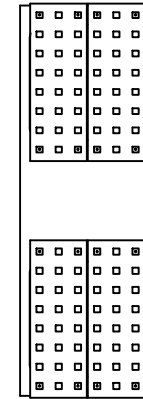


GROUND LUGS (562894) AND APEX SOCKET CONNECTOR (564252) SOLD SEPARATELY.



PCB SHOWN FOR REFERENCE



6	4	90295A380	NYLON PLASTIC WASHER, #6, .156"ID, .312"OD
5	4	632F45	6-32 X 3/8 SOC CAP SS (MS16995-17) (ASSY)
4	4	MS35338-41	WASHER,LOCK-SPRING,6-32,HELI
3	4	M91075A442	6-32 HEX STANDOFF 1/2 LG, M/F
2	1	5519636	PCB SPACER, APEX 96, FOR .500" STANDOFF
1	4	SSW-108-03-G-T	.100" PITCH SKT HEADER, 8 ROW, 3 COLUMN, .394PC TAIL
ITEM	QTY	PART NUMBER	DESCRIPTION

Parts List

COMMENTS / NOTES

1. SUPPORTS PCB THICKNESS UP TO .125".
(USE SSW-108-04-G-T FOR THICKNESSES UP TO .300".)

MACPANEL

WWW.MACPANEL.COM

DRAWN BY
JWALKER

DATE
3/29/2021

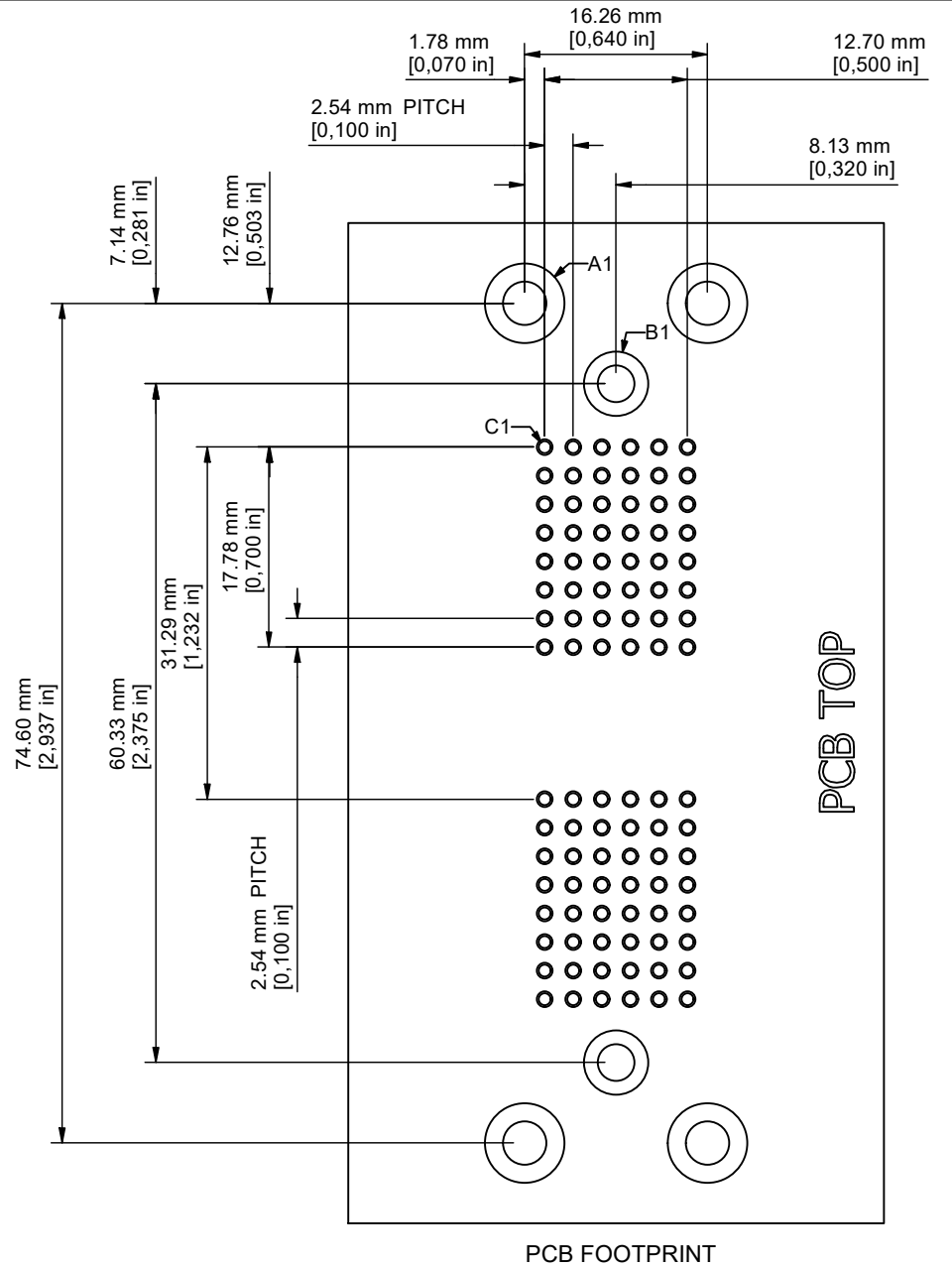
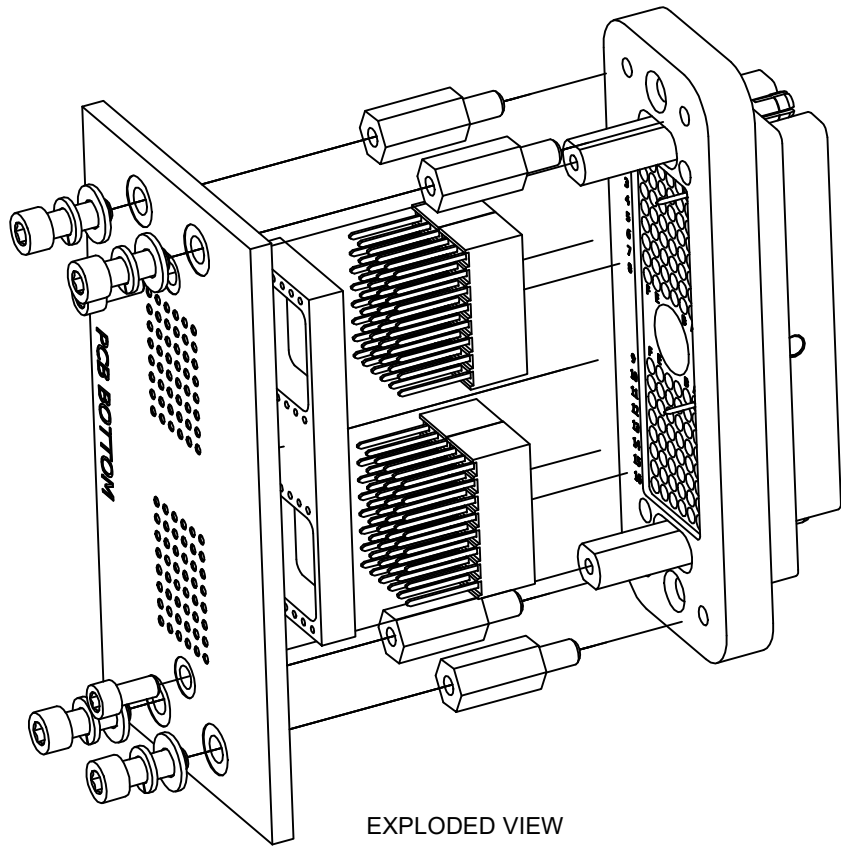
Third Angle
Projection

SHEET
1 OF 3

DESCRIPTION
Header Kit,APEX 96 PCB,Socket

DRAWING NO.
565812-CU

REVISION



HOLE	QTY	DESCRIPTION
A1	4	Ø0.145 - 0.155 in PLATED THRU (#6 CLEARANCE HOLE) Ø0.269 - 0.289 in PLATED ANNULAR RING (BOTH SIDES)
B1	2	Ø0.124 - 0.134 in PLATED THRU (#4 CLEARANCE HOLE) Ø0.215 - 0.235 in PLATED ANNULAR RING (BOTH SIDES)
C1	96	Ø0.039 - 0.046 in PLATED THRU Ø0.055 - 0.065 in PLATED ANNULAR RING (BOTH SIDES)
HOLE	QTY	DESCRIPTION

Hole Table

COMMENTS / NOTES



WWW.MACPANEL.COM

DRAWN BY
JWALKER

DATE
3/29/2021

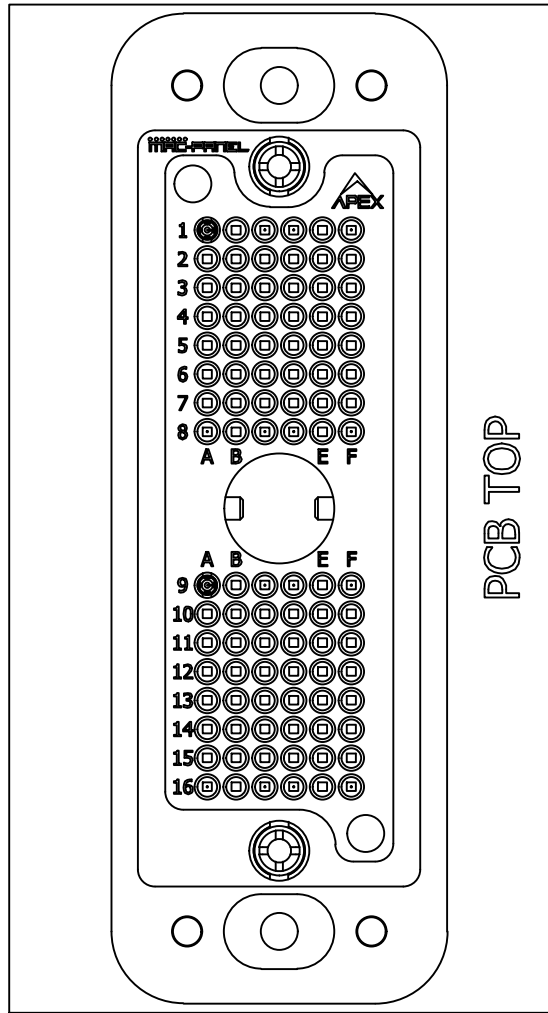
Third Angle
Projection

SHEET
2 OF 3

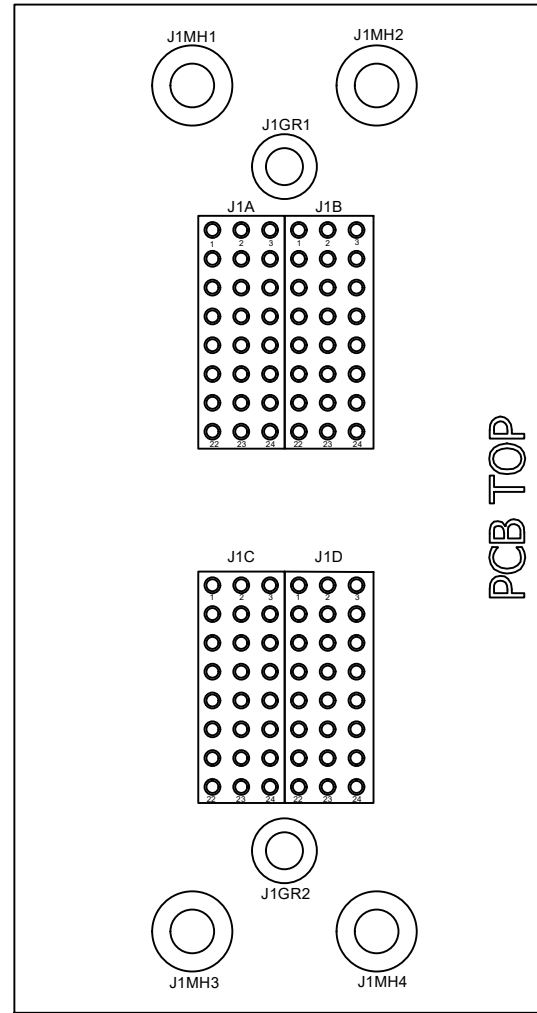
DESCRIPTION
Header Kit, APEX 96 PCB, Socket

DRAWING NO.
565812-CU

REVISION



APEX AND HEADER KIT INSTALLED



PCB TOP

COMMENTS / NOTES

REFER TO EXCEL SPREADSHEET "565812-CU.XLSX" TO DETERMINE PIN MAPPING AND REFERENCE DESIGNATOR MAPPING BETWEEN PCB ASSEMBLY AND HIGHER LEVEL ASSEMBLY



WWW.MACPANEL.COM

DRAWN BY
JWALKER

DATE
3/29/2021



SHEET
3 OF 3

DESCRIPTION

Header Kit,APEX 96 PCB,Socket

DRAWING NO.

565812-CU

REVISION