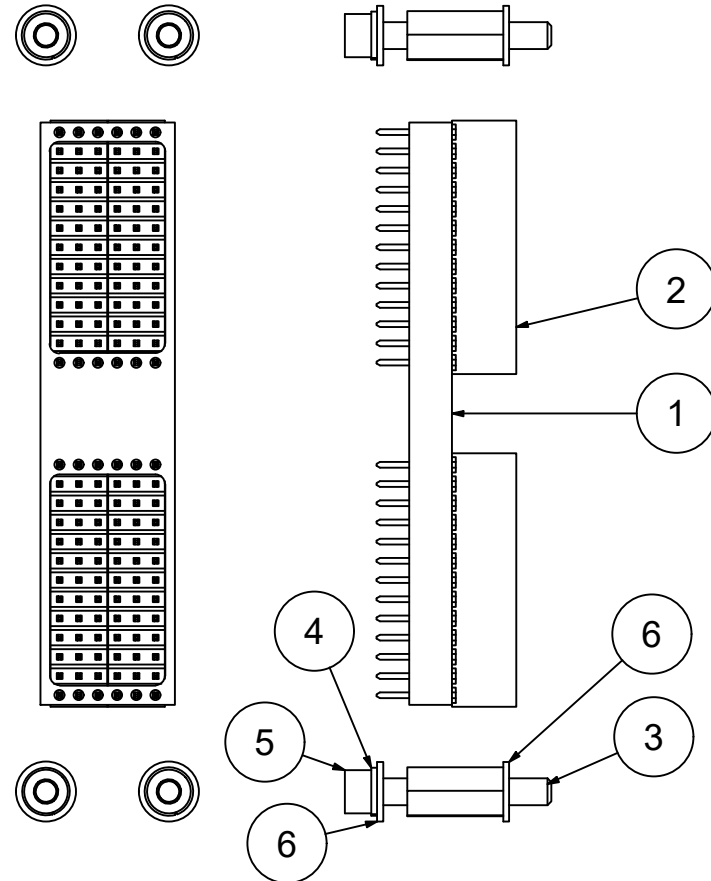
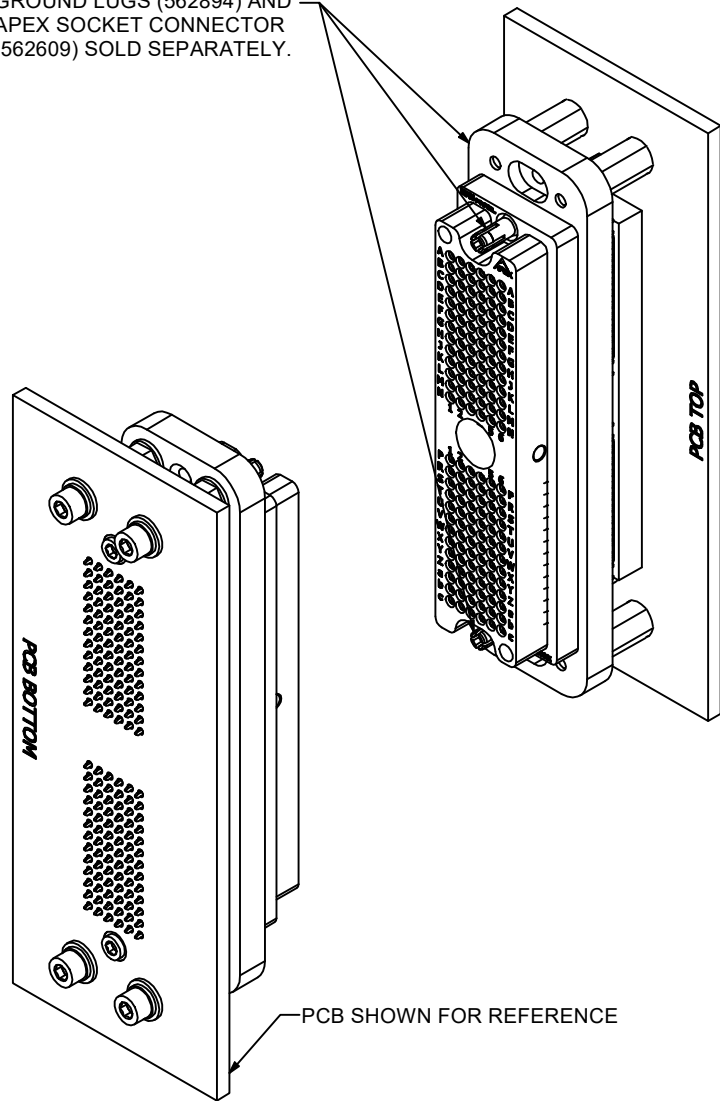


GROUND LUGS (562894) AND
APEX SOCKET CONNECTOR
(562609) SOLD SEPARATELY.



6	8	90295A380	NYLON PLASTIC WASHER, #6, .156"ID, .312"OD
5	4	632F45	6-32 X 3/8 SOC CAP SS (MS16995-17) (ASSY)
4	4	MS35338-41	WASHER,LOCK-SPRING,6-32,HELI
3	4	M91075A442	6-32 HEX STANDOFF 1/2 LG, M/F
2	4	SSW-113-03-G-T	.100" PITCH SKT HEADER, 13 ROW X 3 COLUMN, .394 PC TAIL
1	1	5519637	PCB SPACER, APEX 156, FOR .500" STANDOFF
ITEM	QTY	PART NUMBER	DESCRIPTION

Parts List

COMMENTS / NOTES

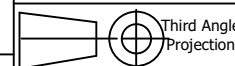
1. SUPPORTS PCB THICKNESS UP TO .125".
(USE SSW-113-04-G-T FOR THICKNESSES UP TO .300".)

MACPANEL

WWW.MACPANEL.COM

DRAWN BY
JWALKER

DATE
3/29/2021



SHEET
1 OF 3

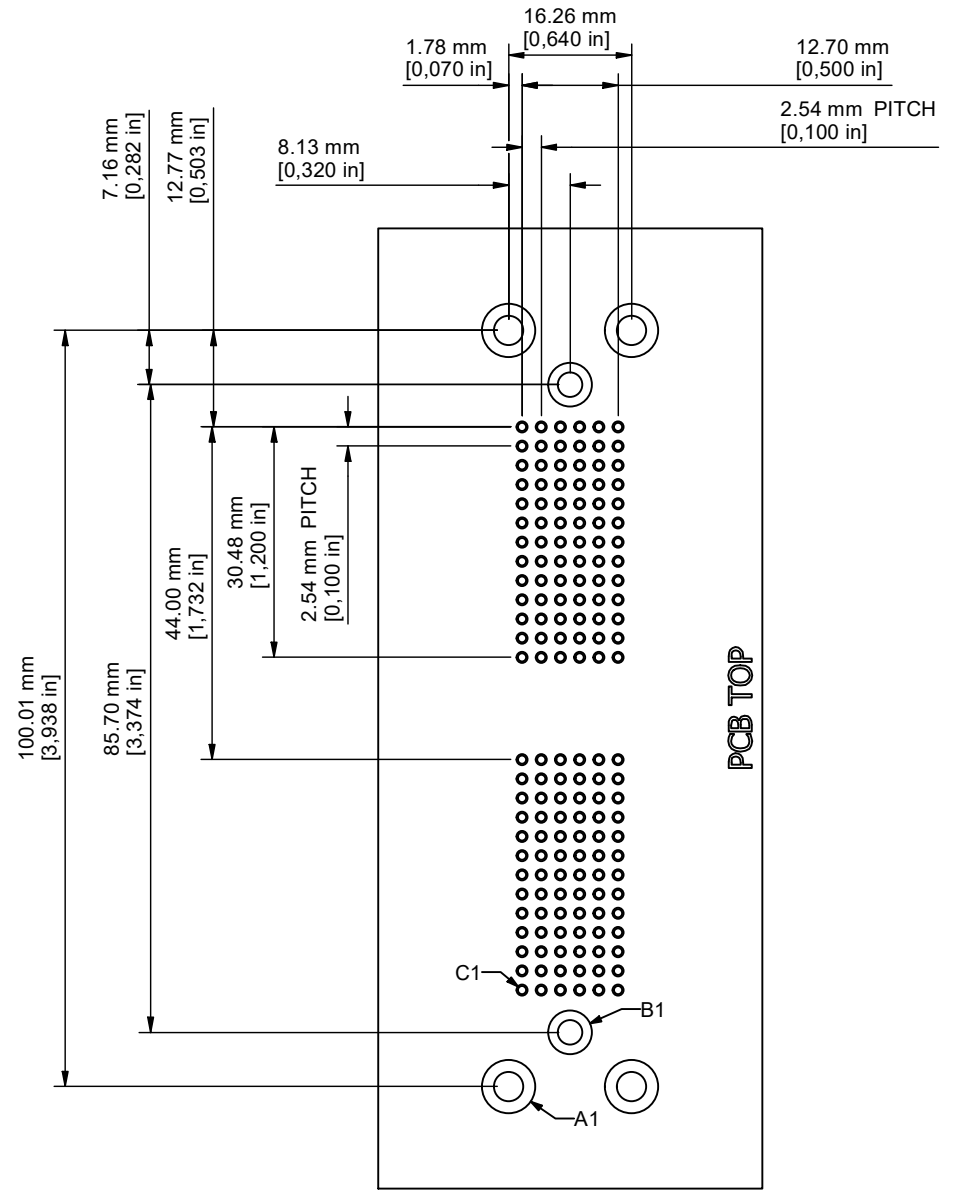
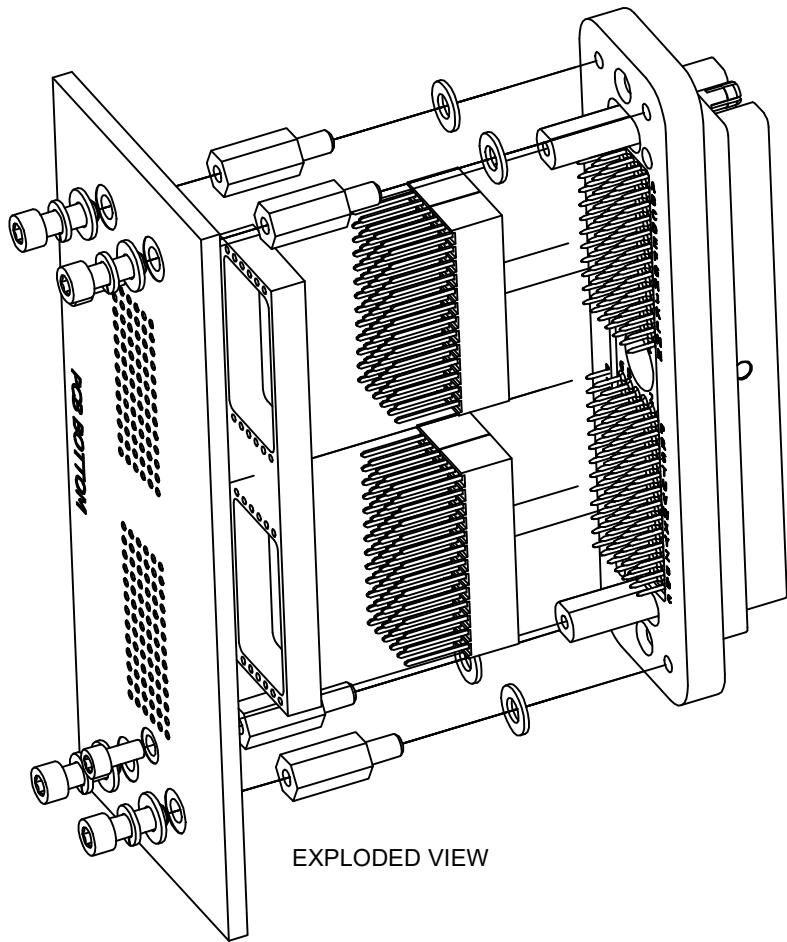
DESCRIPTION

Header Kit,APEX 156 PCB,Socket,
.500" STANDOFF

DRAWING NO.

565811-CU

REVISION

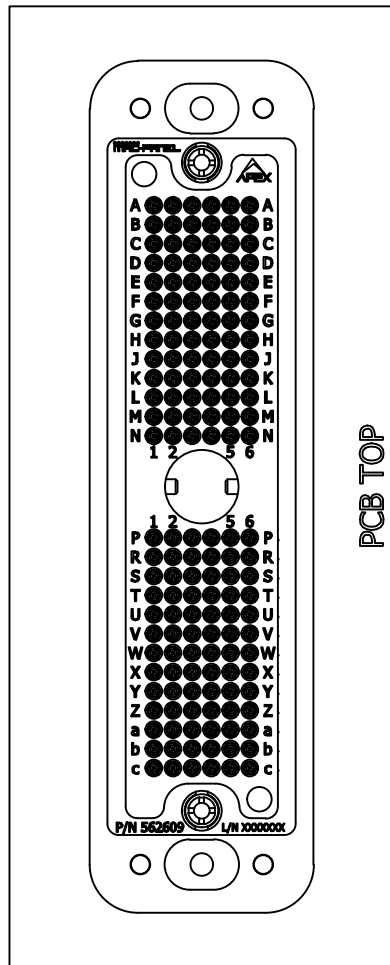


HOLE	QUANTITY	DESCRIPTION
A1	4	∅0.150 - 0.160 in PLATED THRU ∅0.279 - 0.289 in PLATED ANNULAR RING (BOTH SIDES)
B1	2	∅0.129 - 0.139 in PLATED THRU ∅0.225 - 0.235 in PLATED ANNULAR RING (BOTH SIDES)
C1	156	∅0.036 - 0.046 in PLATED THRU ∅0.055 - 0.065 in PLATED ANNULAR RING (BOTH SIDES)
Hole Table		

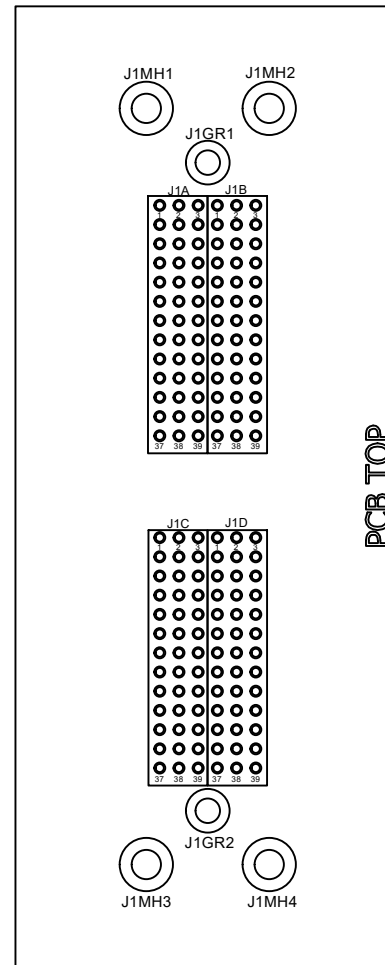
COMMENTS / NOTES

 WWW.MACPANEL.COM	DRAWN BY JWALKER	DATE 3/29/2021	DESCRIPTION Header Kit, APEX 156 PCB, Socket, .500" STANDOFF
	 Third Angle Projection	DRAWING NO. 565811-CU	REVISION

SHEET 2 OF 3



APEX AND HEADER KIT INSTALLED



PCB TOP

COMMENTS / NOTES

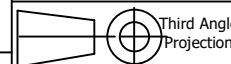
REFER TO EXCEL SPREADSHEET "565811-CU.XLSX" TO DETERMINE PIN MAPPING AND REFERENCE DESIGNATOR MAPPING BETWEEN PCB ASSEMBLY AND HIGHER LEVEL ASSEMBLY



WWW.MACPANEL.COM

DRAWN BY
JWALKER

DATE
3/29/2021



SHEET
3 OF 3

DESCRIPTION

Header Kit,APEX 156 PCB,Socket,
.500" STANDOFF

DRAWING NO.

565811-CU

REVISION