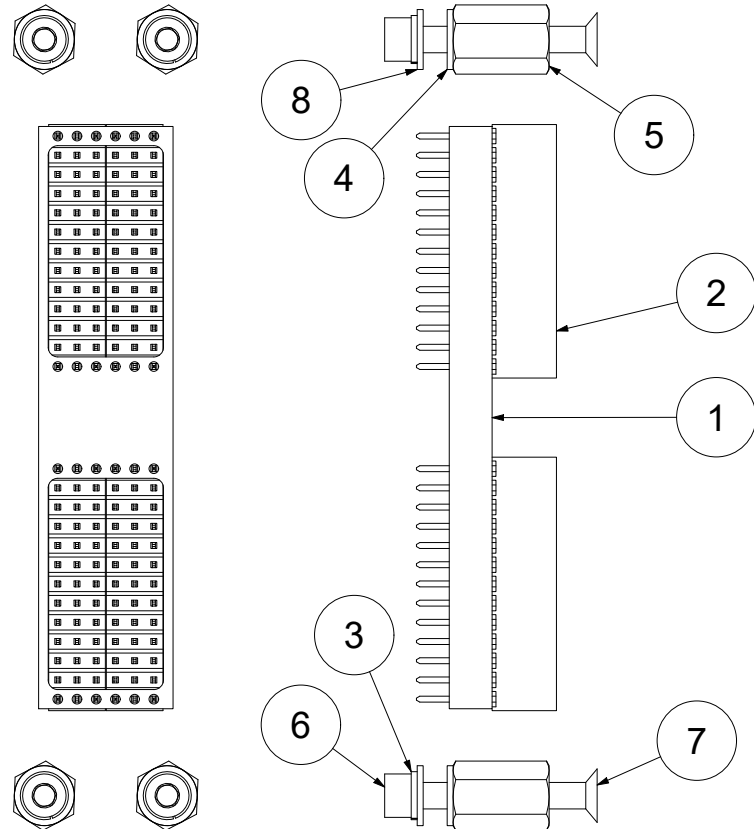
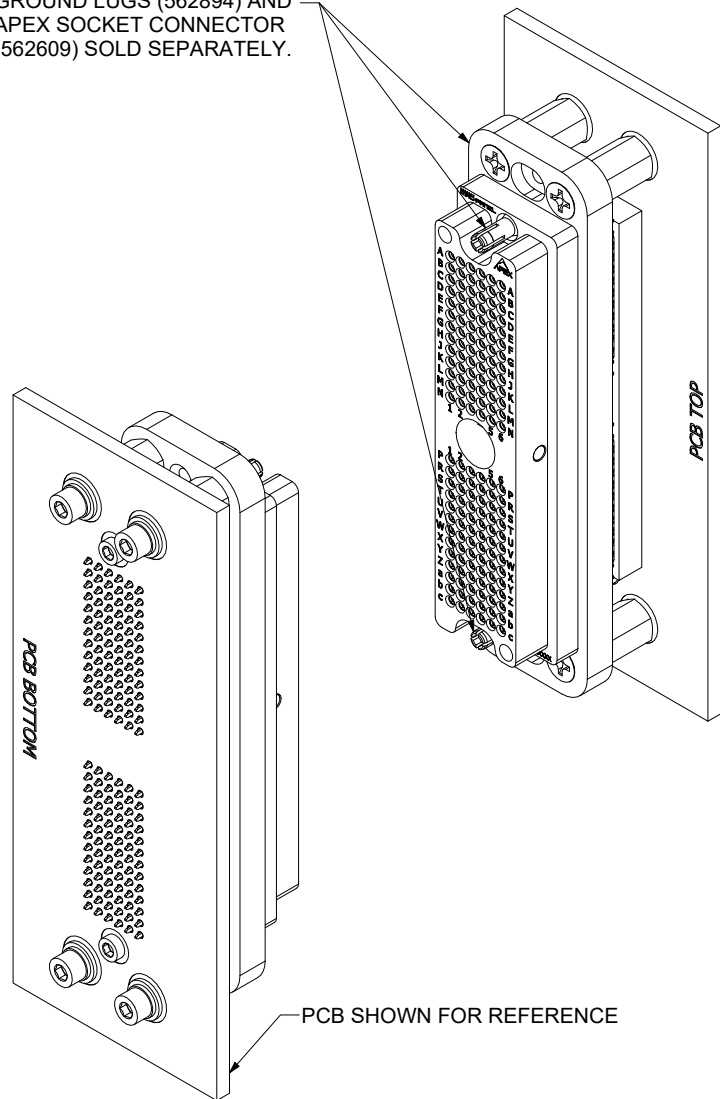


GROUND LUGS (562894) AND APEX SOCKET CONNECTOR (562609) SOLD SEPARATELY.



8	4	92141A008	18-8 SS WASHER, #6, .156"ID, .312"OD
7	4	632H115	6-32 X 1/2 PHIL FHMS,100 DEG
6	4	632G45	6-32 SOCKET HD SCREW
5	4	91115A243	SS FEMALE THREADED HEX STANDOFF, 5/16 HEX, 1/2" L, 6-32
4	4	90295A380	NYLON PLASTIC WASHER, #6, .156"ID, .312"OD
3	4	MS35338-41	WASHER,LOCK-SPRING,6-32,HELI
2	4	SSW-113-03-G-T	.100" PITCH SKT HEADER, 13 ROW X 3 COLUMN, .394 PC TAIL
1	1	5519637	PCB SPACER, APEX 156, FOR .500" STANDOFF
ITEM	QTY	PART NUMBER	DESCRIPTION

Parts List

COMMENTS / NOTES

1. SUPPORTS PCB THICKNESS UP TO .125".
(USE SSW-113-04-G-T FOR THICKNESSES UP TO .300".)

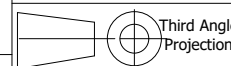
MAC-PANEL

WWW.MACPANEL.COM

DRAWN BY
JWALKER

DATE

3/29/2021



Third Angle
Projection

DESCRIPTION

Header Kit,APEX 156 PCB,Socket,
.500" STANDOFF

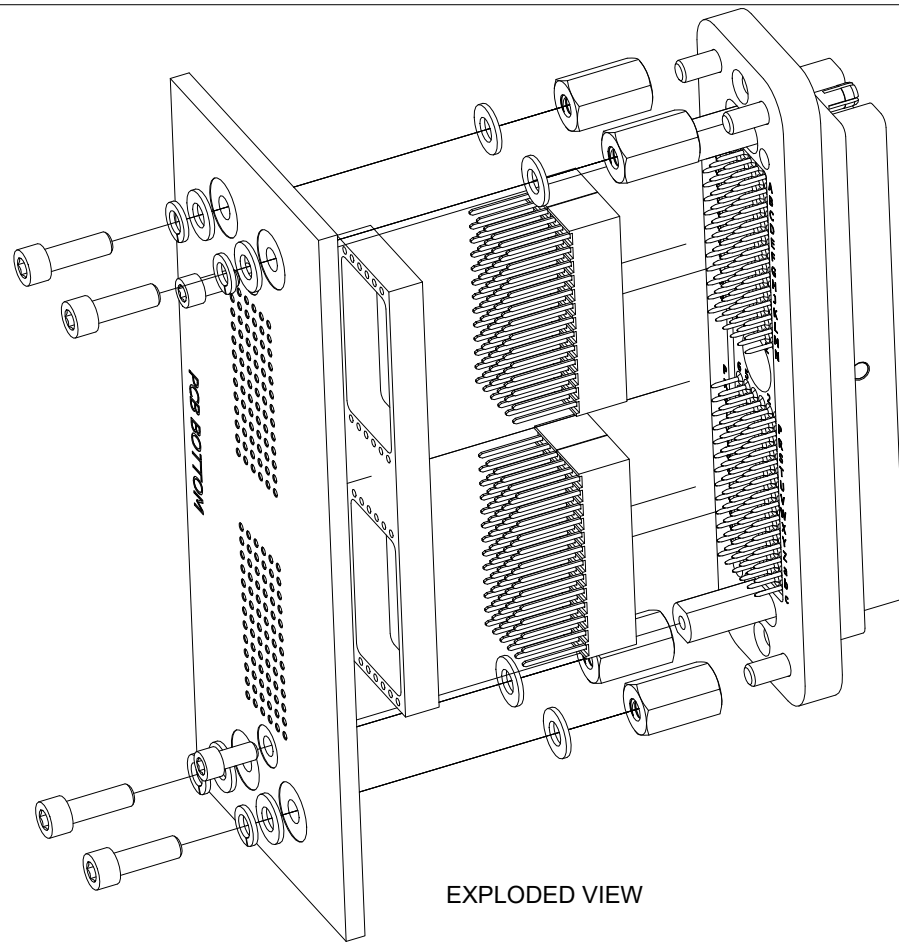
SHEET
1 OF 3

DRAWING NO.

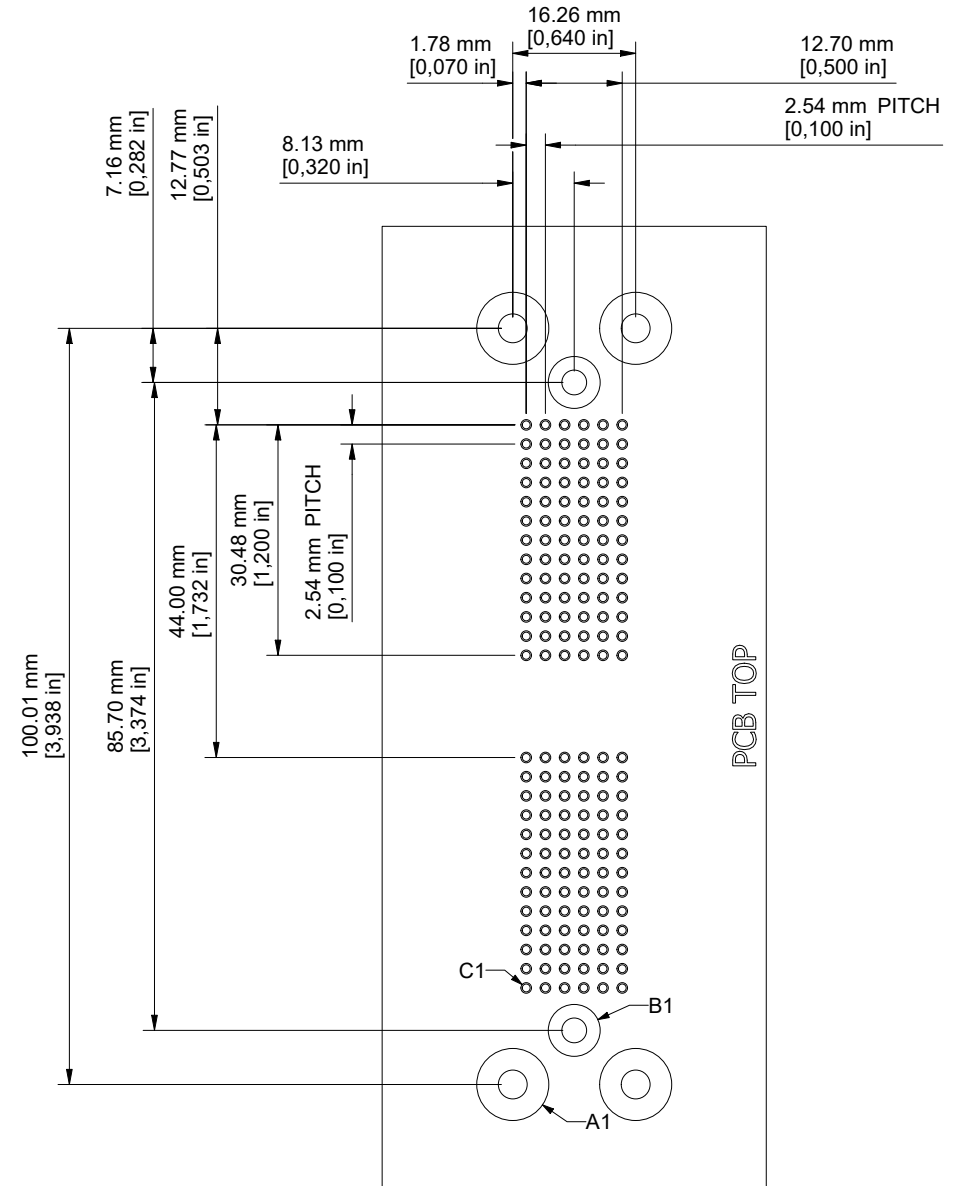
565811-CU

REVISION

NR



EXPLODED VIEW



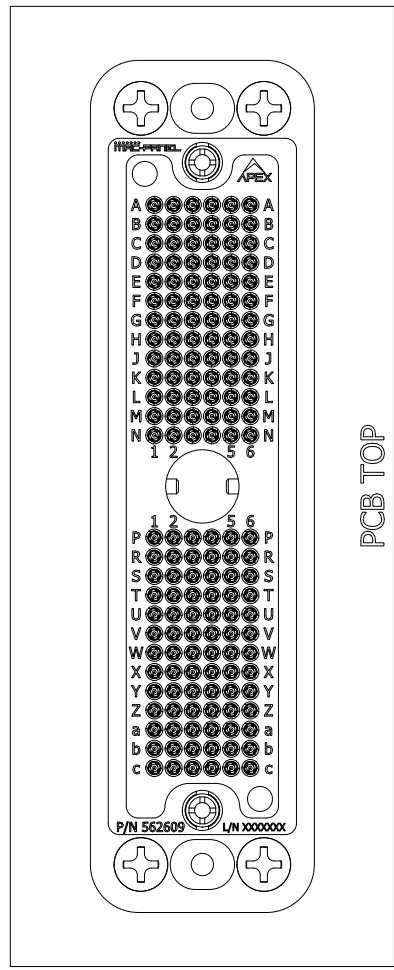
PCB TOP

PCB FOOTPRINT

HOLE	QUANTITY	DESCRIPTION
A1	4	Ø0.150 - 0.160 in NON-PLATED THRU Ø0.375 - 0.385 in PLATED ANNULAR RING (BOTH SIDES) PLACE CONNECTING VIAS Ø0.015 (8X) EVEN SPACING BETWEEN TOP/BOTTOM ANNULAR RINGS
B1	2	Ø0.129 - 0.139 in NON-PLATED THRU Ø0.270 - 0.280 in PLATED ANNULAR RING (BOTH SIDES) PLACE CONNECTING VIAS Ø0.015 (8X) EVEN SPACING BETWEEN TOP/BOTTOM ANNULAR RINGS
C1	156	Ø0.036 - 0.046 in PLATED THRU Ø0.055 - 0.065 in PLATED ANNULAR RING (BOTH SIDES)
Hole Table		

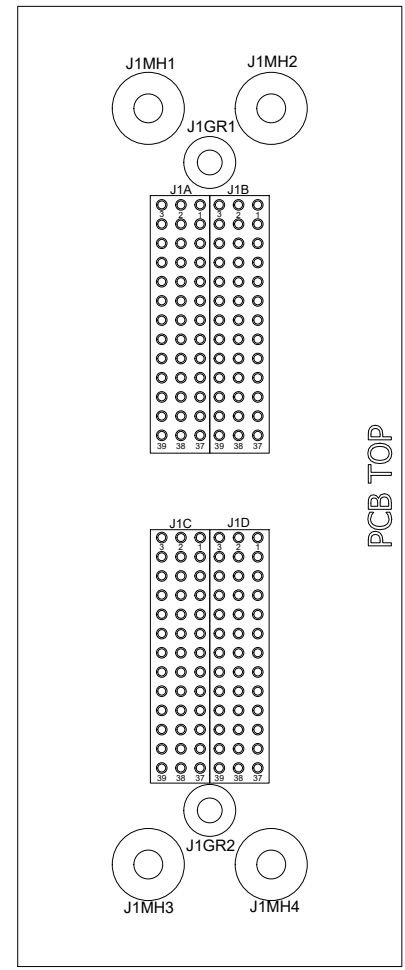
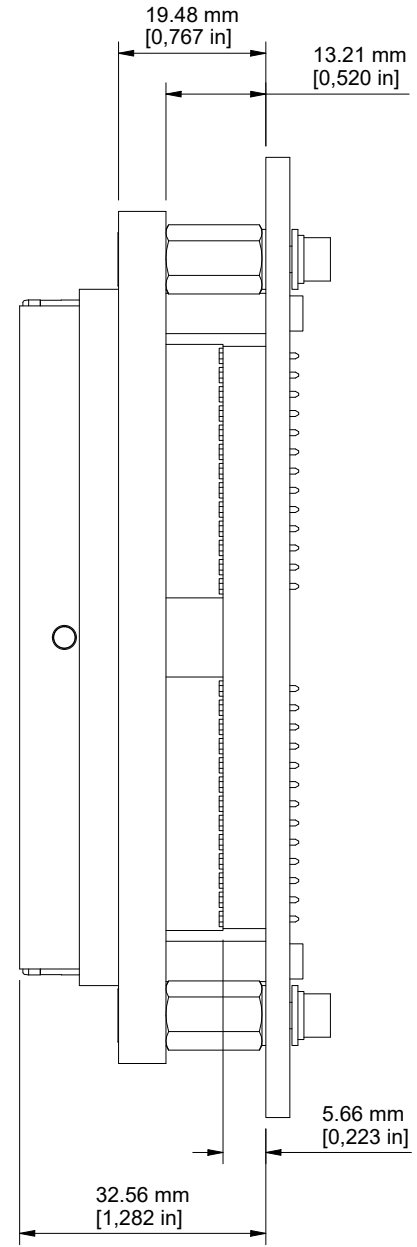
COMMENTS / NOTES

 WWW.MACPANEL.COM	DRAWN BY JWALKER	DATE 3/29/2021	DESCRIPTION Header Kit, APEX 156 PCB, Socket, .500" STANDOFF
	 Third Angle Projection	DRAWING NO. 565811-CU	REVISION NR



APEX AND HEADER KIT INSTALLED

PCB TOP




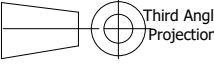
PCB TOP

PCB TOP

COMMENTS / NOTES

REFER TO EXCEL SPREADSHEET "565811-CU.XLSX" TO DETERMINE PIN MAPPING AND REFERENCE DESIGNATOR MAPPING BETWEEN PCB ASSEMBLY AND HIGHER LEVEL ASSEMBLY


 WWW.MACPANEL.COM

DRAWN BY
 JWALKER

 Third Angle
 Projection
 SHEET
 3 OF 3

DATE
 3/29/2021
 DESCRIPTION
 Header Kit,APEX 156 PCB,Socket,
 .500" STANDOFF
 DRAWING NO.
 565811-CU
 REVISION
 NR