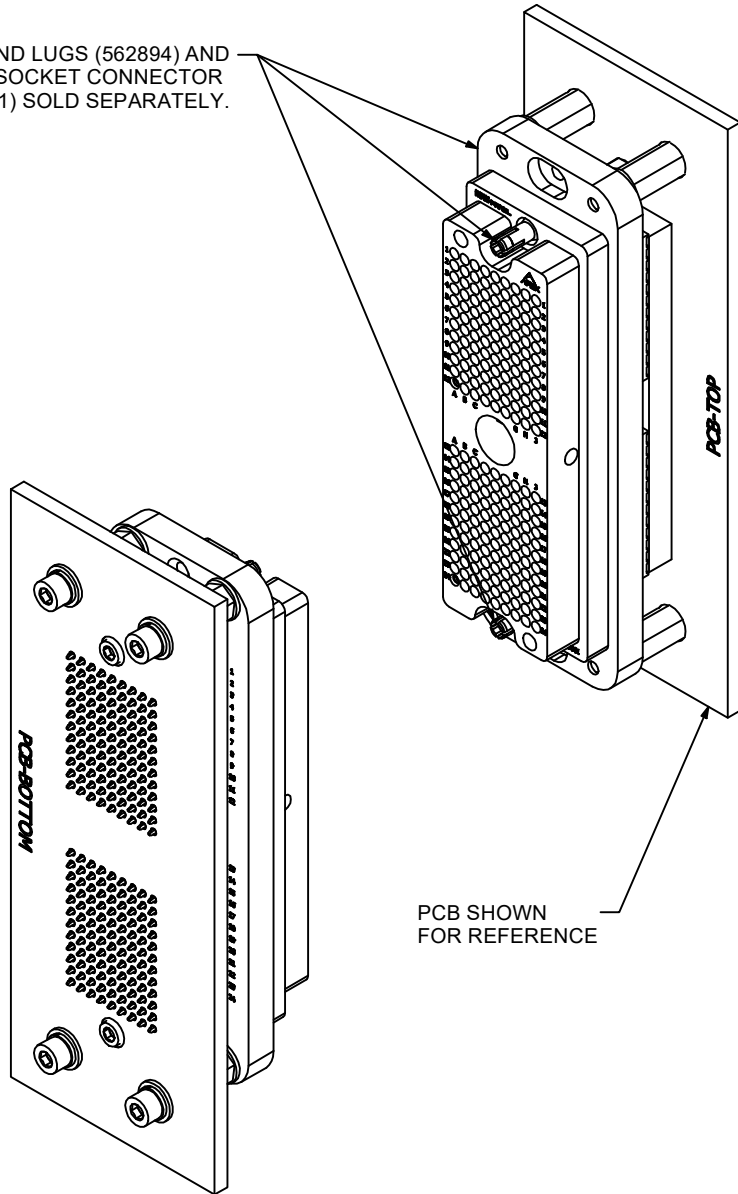
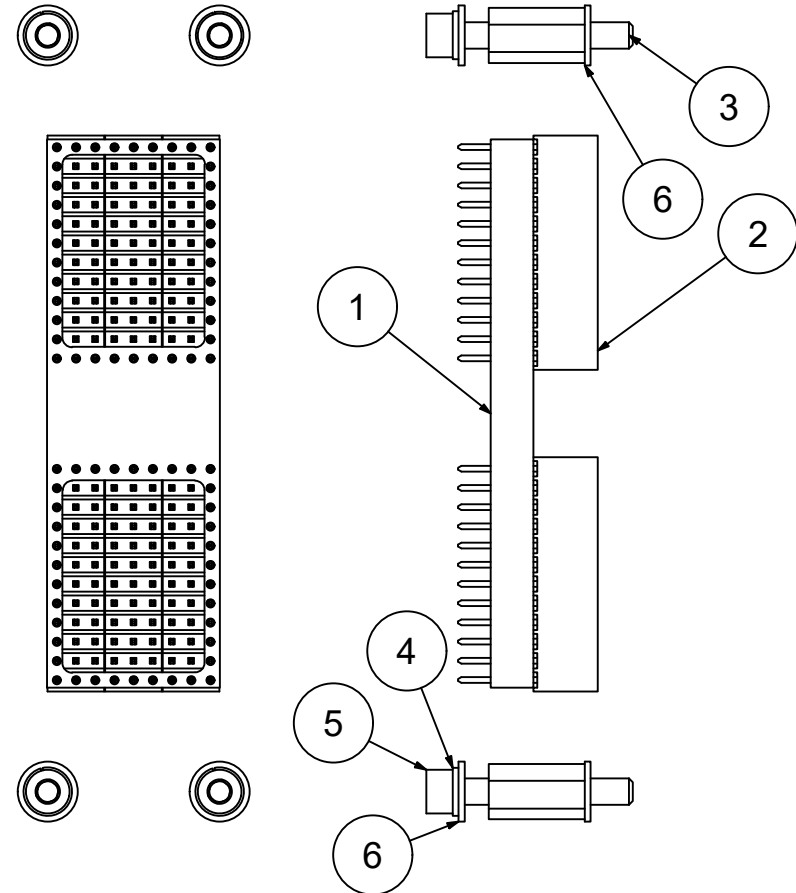


GROUND LUGS (562894) AND APEX SOCKET CONNECTOR (564201) SOLD SEPARATELY.



PCB SHOWN FOR REFERENCE



6	8	90295A380	NYLON PLASTIC WASHER, #6, .156"ID, .312"OD
5	4	632F45	6-32 X 3/8 SOC CAP SS (MS16995-17) (ASSY)
4	4	MS35338-41	WASHER, LOCK-SPRING, 6-32, HELI
3	4	M91075A442	6-32 HEX STANDOFF 1/2 LG, M/F
2	6	SSW-112-03-G-T	.100" PITCH SKT HEADER, 12 ROW x 3 COLUMN, .394 PC TAIL
1	1	5519638	PCB SPACER, APEX 216, FOR .500" STANDOFF
ITEM	QTY	PART NUMBER	DESCRIPTION

Parts List

COMMENTS / NOTES

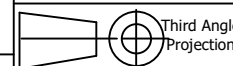
1. SUPPORTS PCB THICKNESS UP TO .125".
(USE SSW-112-04-G-T FOR THICKNESSES UP TO .300".)

MACPANEL

WWW.MACPANEL.COM

DRAWN BY
JWALKER

DATE
3/29/2021



SHEET
1 OF 3

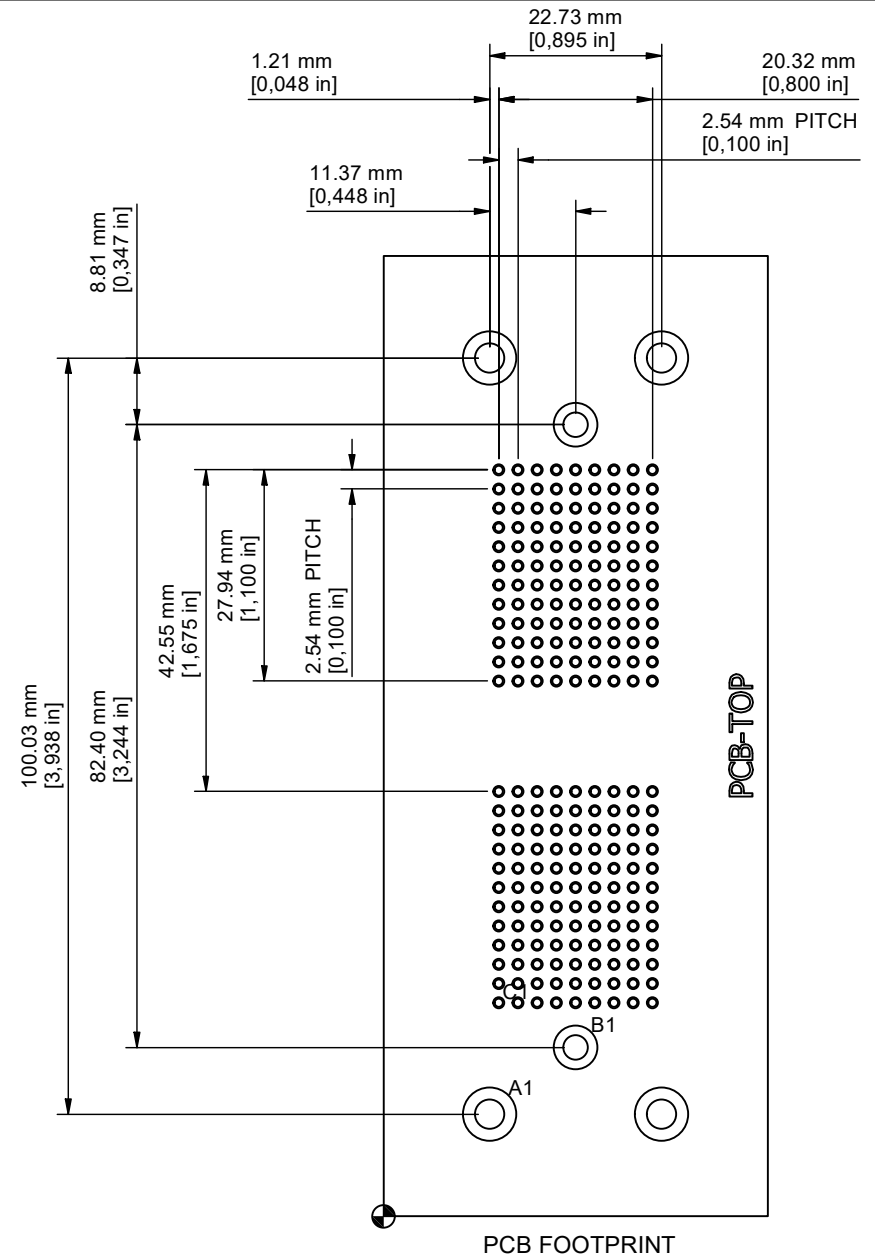
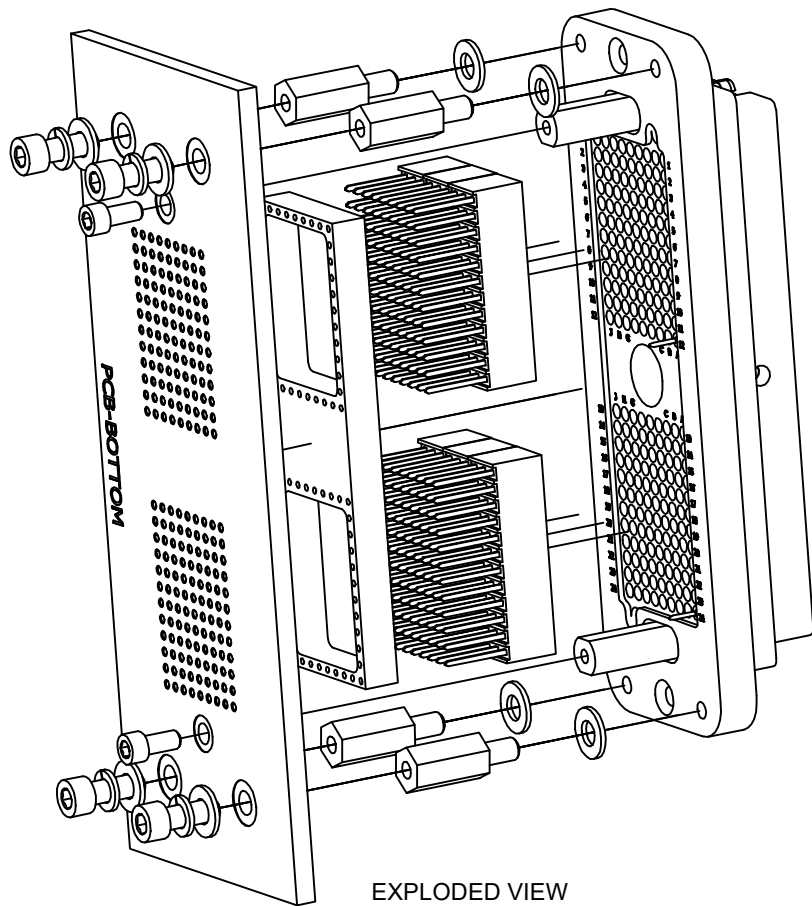
DESCRIPTION

Header Kit, APEX 216 PCB, Socket,
.500" STANDOFF

DRAWING NO.

565810-CU

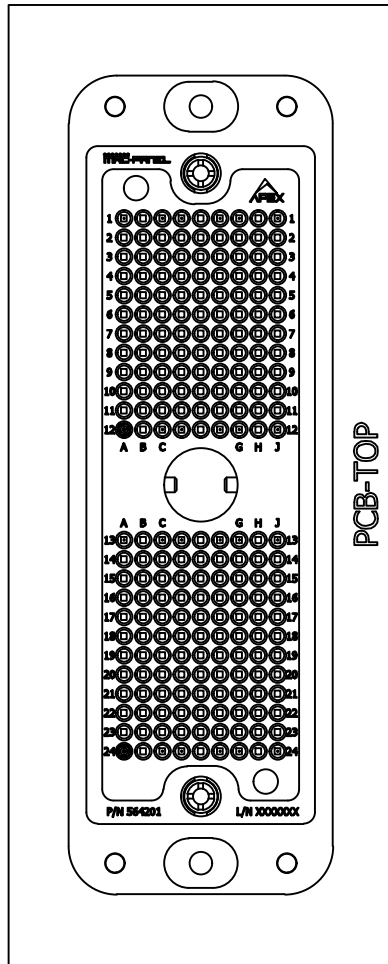
REVISION



HOLE	QUANTITY	DESCRIPTION
A1	4	∅0.150 - 0.160 in PLATED THRU ∅0.279 - 0.289 in PLATED ANNULAR RING (BOTH SIDES)
B1	2	∅0.129 - 0.139 in PLATED THRU ∅0.225 - 0.235 in PLATED ANNULAR RING (BOTH SIDES)
C1	216	∅0.036 - 0.046 in PLATED THRU ∅0.055 - 0.065 in PLATED ANNULAR RING (BOTH SIDES)
Hole Table		

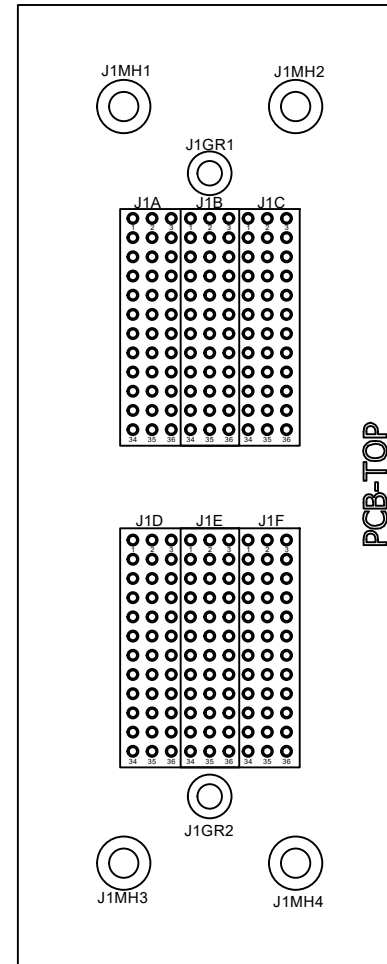
COMMENTS / NOTES	
------------------	--

	DRAWN BY JWALKER	DATE 3/29/2021	DESCRIPTION Header Kit, APEX 216 PCB, Socket, .500" STANDOFF
	WWW.MACPANEL.COM		DRAWING NO. 565810-CU
SHEET 2 OF 3		REVISION	



PCB-TOP

APEX AND HEADER KIT INSTALLED



PCB-TOP

PCB - TOP

COMMENTS / NOTES

REFER TO EXCEL SPREADSHEET "565810-CU.XLSX" TO DETERMINE PIN MAPPING AND REFERENCE DESIGNATOR MAPPING BETWEEN PCB ASSEMBLY AND HIGHER LEVEL ASSEMBLY



WWW.MACPANEL.COM

DRAWN BY
JWALKER

DATE
3/29/2021



Third Angle
Projection

SHEET
3 OF 3

DESCRIPTION

Header Kit,APEX 216 PCB,Socket,
.500" STANDOFF

DRAWING NO.

565810-CU

REVISION