

COMMENTS / NOTES

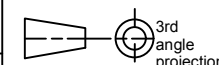
Supplied with 6 x 10-32 UNF countersunk screws for fixing to mounting / hinge plate.



WWW.MACPANEL.COM

DRAWN BY DATE

18/08/2008



SHEET 1 OF 3

DESCRIPTION

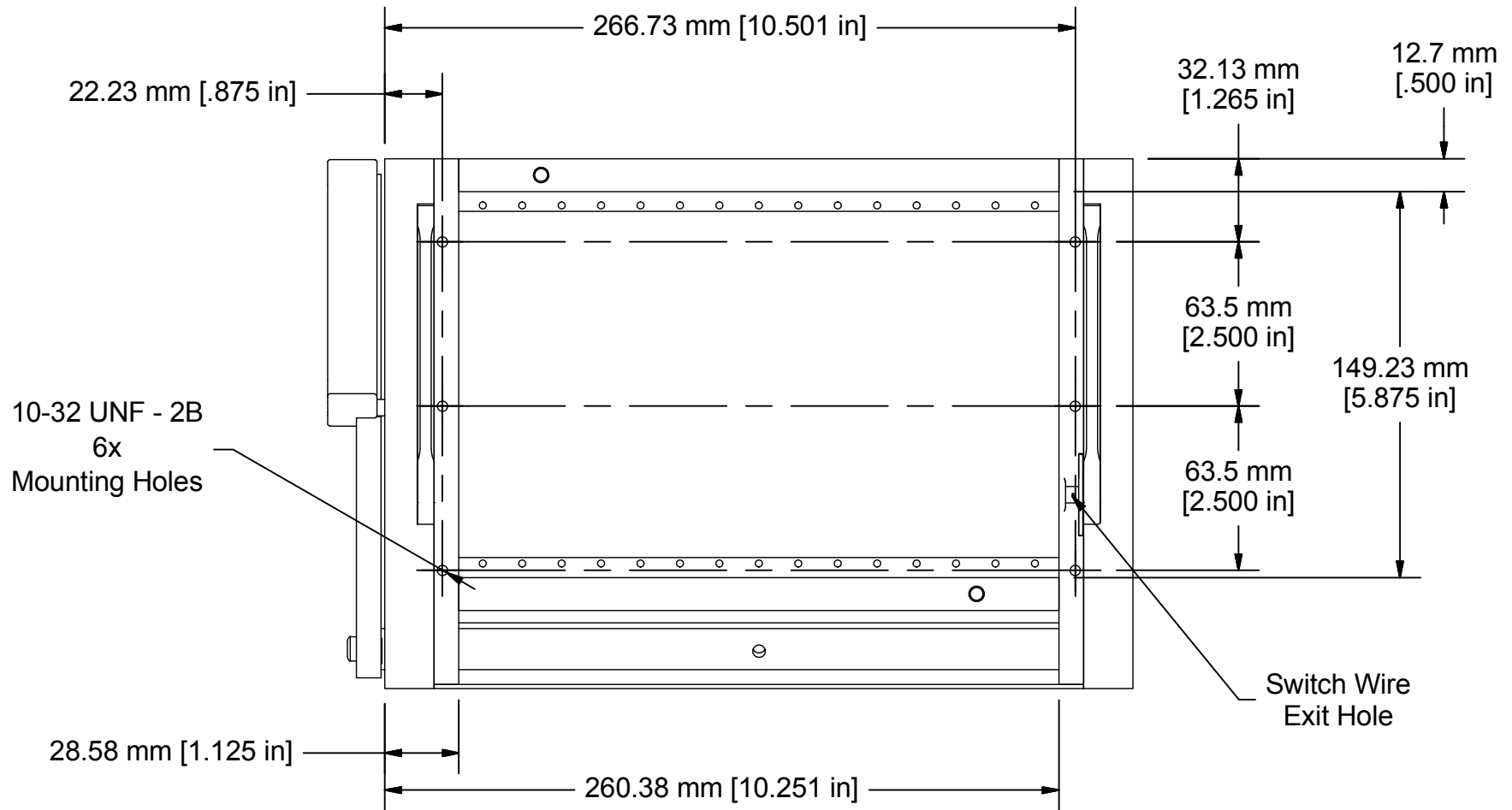
Receiver, 15 Slot, TITAN

DRAWING NO.

561354-CU

REVISION

A



COMMENTS / NOTES

Mounting hole positions (screws provided)



WWW.MACPANEL.COM

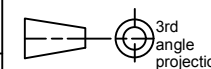
DRAWN BY

DATE

18/08/2008

DESCRIPTION

Receiver, 15 Slot, TITAN



SHEET

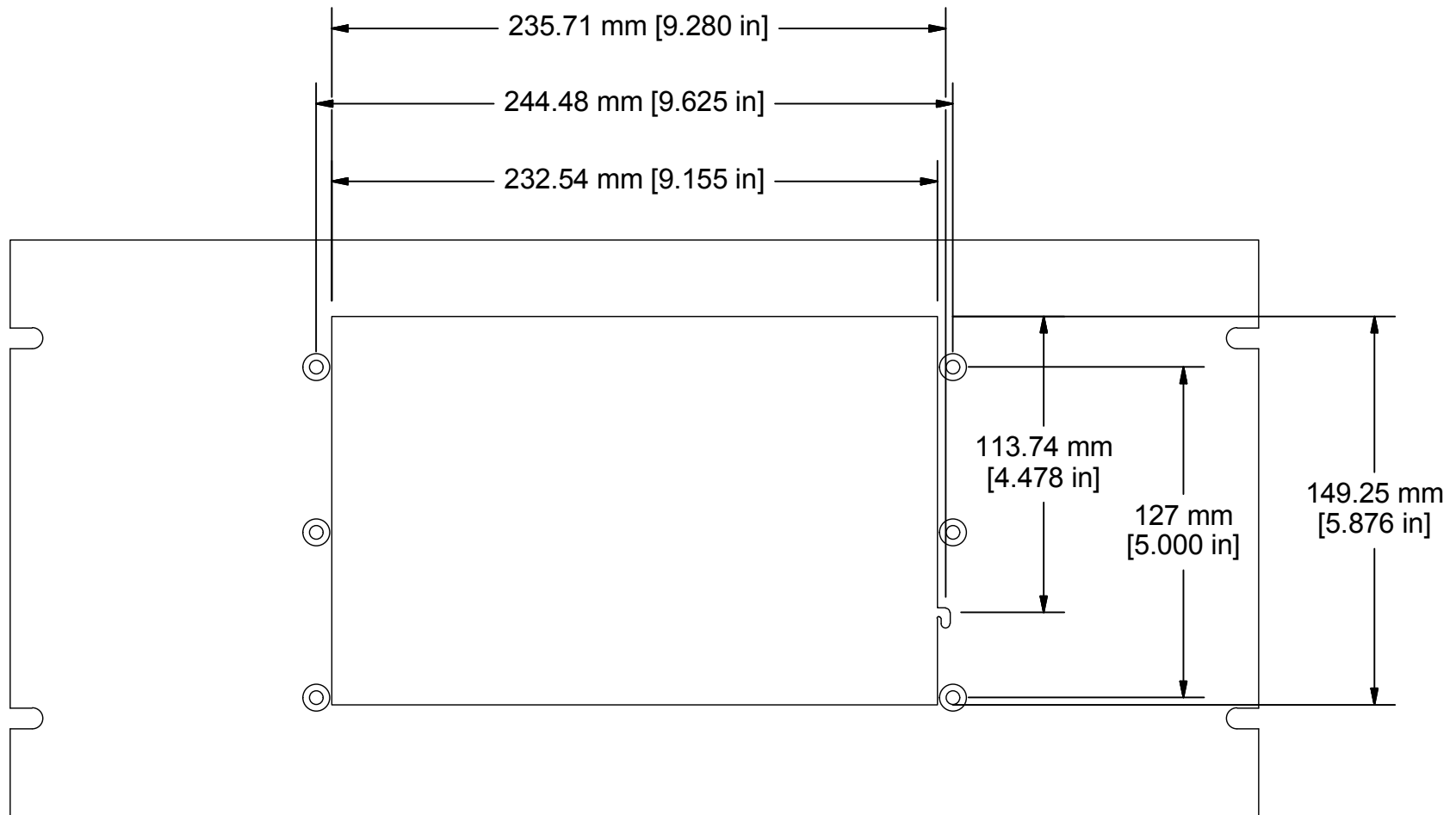
2 OF 3

DRAWING NO.

561354-CU

REVISION

A



COMMENTS / NOTES

Cutout for mounting 15 slot receiver



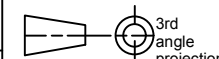
WWW.MACPANEL.COM

DRAWN BY

DATE

18/08/2008

DESCRIPTION



3rd
angle
projection

DRAWING NO.

561367-CU

REVISION

A

SHEET

3 OF 3

GO TO THE NEXT PAGE FOR A

3D PDF

OF THIS MACPANEL PRODUCT.

- 1) LEFT CLICK MOUSE ANYWHERE ON PAGE TO ACTIVATE.
- 2) IMAGE CAN NOW BE ROTATED WITH THE MOUSE.
- 3) CLICK ON **GREEN** ICON FOR A BRIEF DESCRIPTION.

