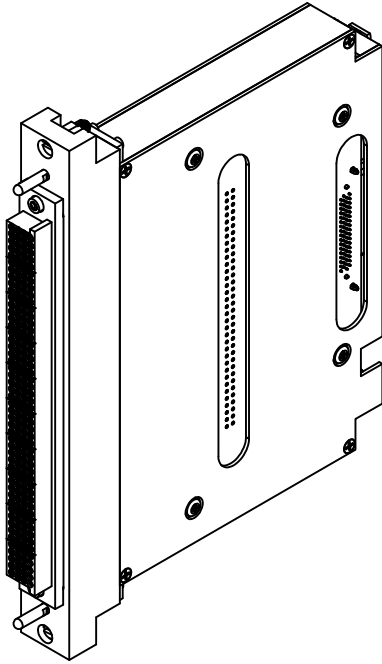


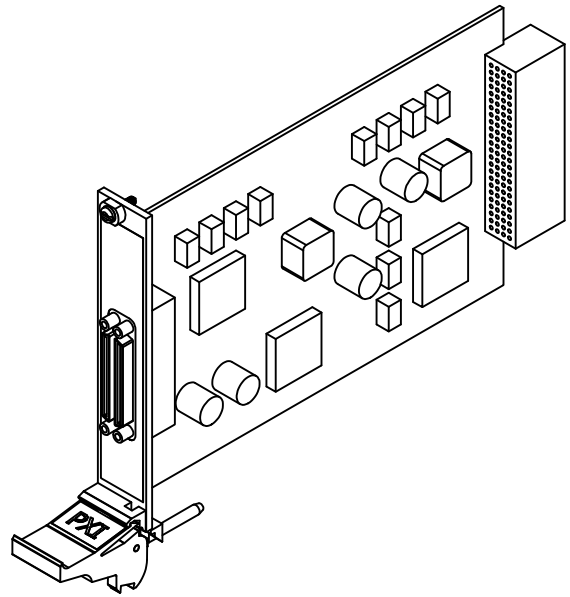
Procedure for attaching MACPanel DAK to a PXI Card.

** Assembly procedures should be carried out by a competent person on a clear flat surface to minimise the risk of damage to either the DAK or PXI card. **

Main Components.



Typical MACPanel DAK

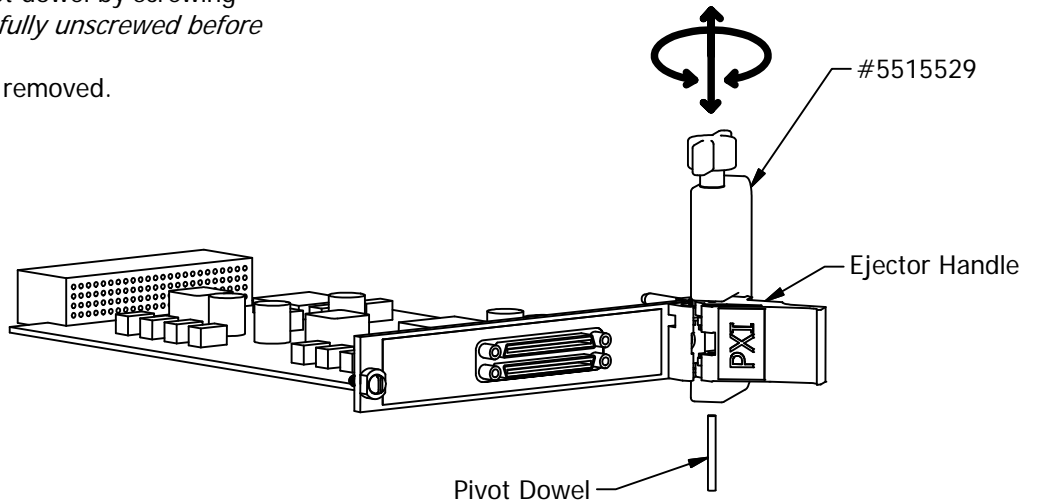


Typical PXI Card

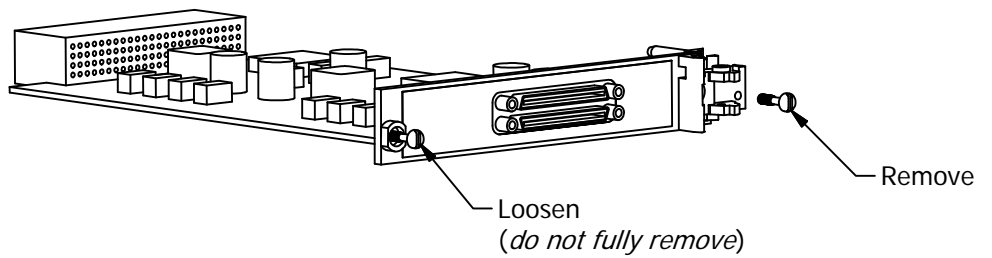
Suggested Tooling : DAK Toolkit #561211 (consists of)

412640	SCOUT T Bolt Wrench
412654	Extraction Tool
5210868	2mm Hex Key
561588	Nut Extraction Tool
5210867	1/4" Combination Wrench
5515529	Ejector Pin Extraction Tool
	Assorted Screwdrivers
	Assembly Instructions
	Spare Screws and Nuts
	Also
	Purple Loctite 222MS (not supplied)

Step 1,
Using the Ejector Pin Extraction Tool (#5515529).
Remove the ejector handle pivot dowel by screwing
the pivot pin out, *tool must be fully unscrewed before
attempting removal.*
The ejector handle can now be removed.



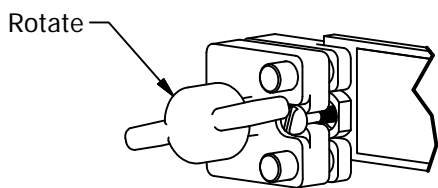
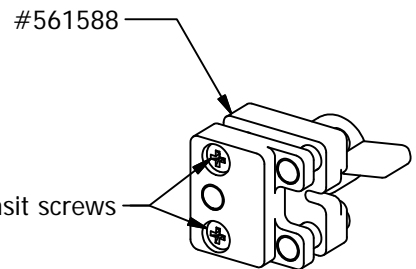
Step 2,
Remove the screw from the ejector handle
end of the PXI card, *Loosen but do not fully
remove the screw from the other end of the card.*



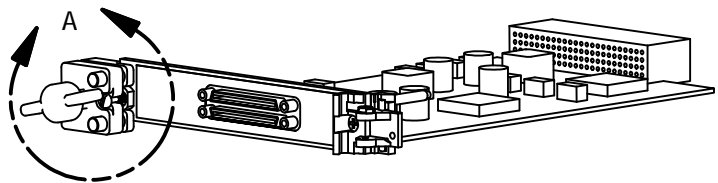
Step 3,
Remove the two transit screws from the
Nut Extraction Tool. (#561588)

Slide the Nut Extraction Tool over the loosened
screw in the PXI Card. (Detail A)

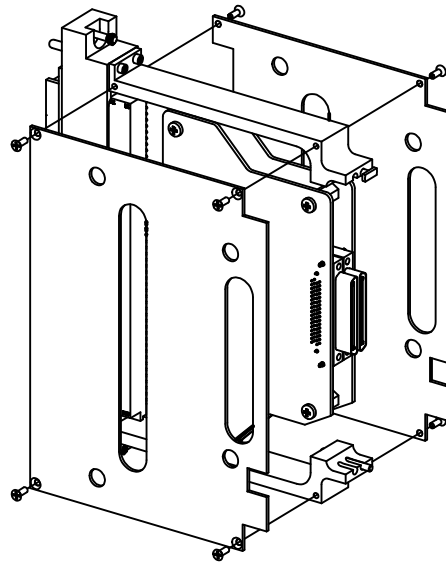
Rotate the handle on the Nut Extraction Tool to separate the
two halves, this will pull the screw and the clinch nut from
the PXI card.



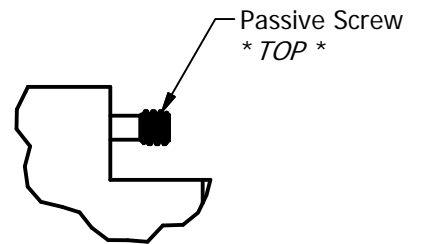
DETAIL A



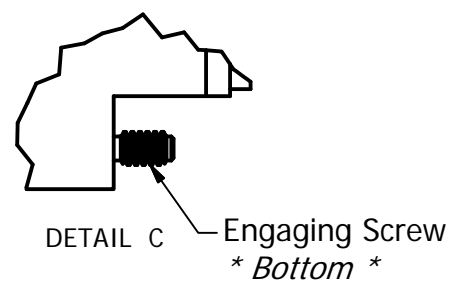
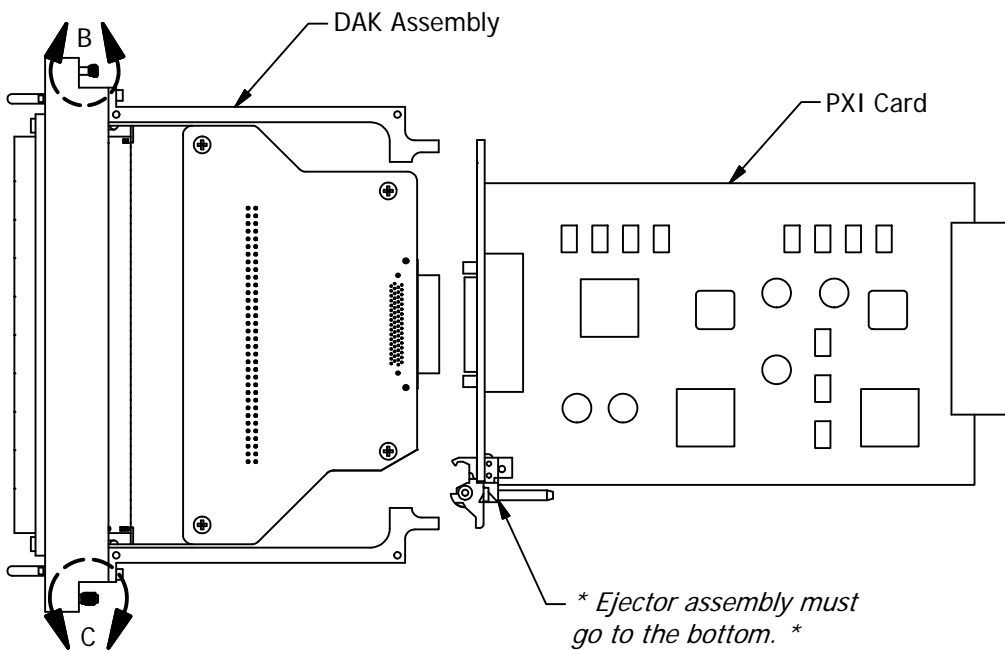
Step 4,
Remove both side plates from DAK by
unscrewing 4 Countersunk screws from
each side.
** do not lose these screws. **



Step 5,
On a clear flat surface, visually line up the two assemblies.
** Note the correct orientation of the DAK and Card **



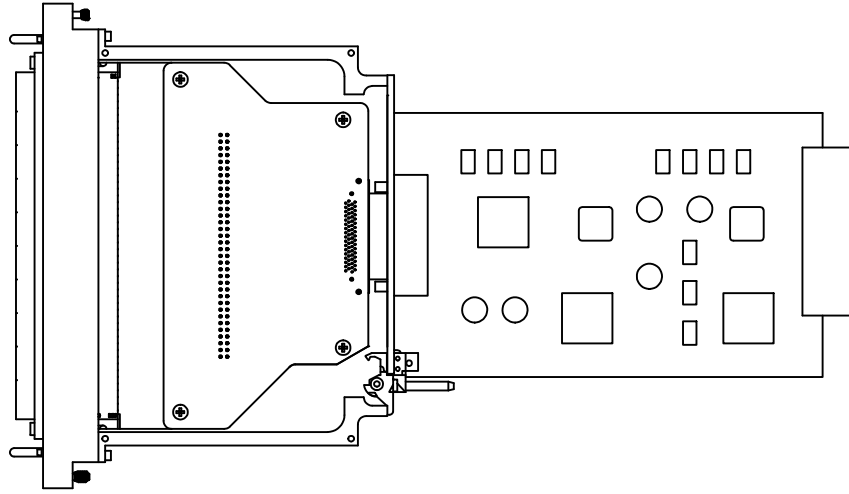
DETAIL B



DETAIL C

Step 6,
Push DAK and PXI Card together.
At this point connectors / contacts should
be connected together.

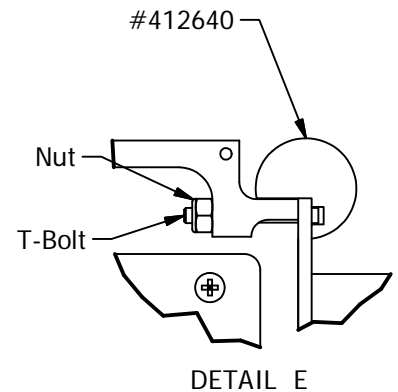
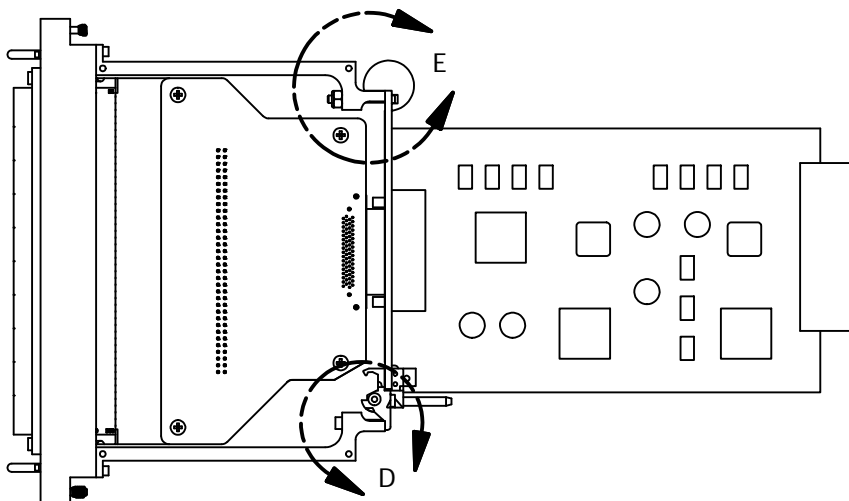
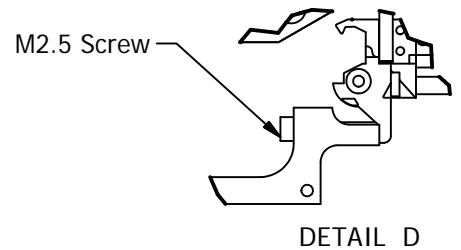
*WARNING ! When fitting a DAK with Flex Circuit or
wires, these must not be over stressed at any time in
the assembly procedure.*



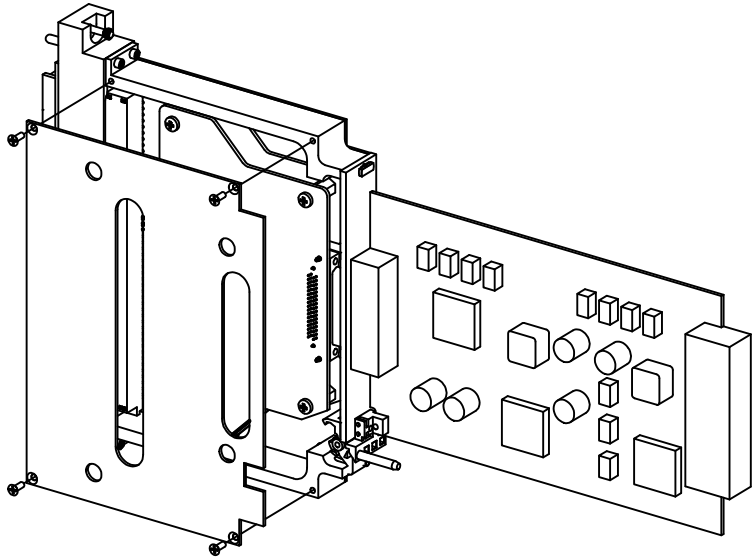
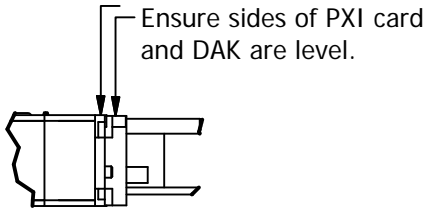
** Ensure all connections are fully seated before moving to step 7 **

Step 7,
Secure the DAK to the PXI Card using the M2.5 screw (Detail D)
and
T-bolt and nut (Detail E) that are supplied with the DAK.
Ensure the flat of the T-bolt is parallel with the top edge
of the DAK by using the T-bolt wrench (Detail E)
Use purple Loctite 222MS to secure T-bolt and nut.

The tooling for this procedure is the 2mm Hex Key and
Box Wrench found in the DAK tool kit.



Step 8,
Replace both side panels removed in Step 1.
Ensure that the sides of the DAK and card
are level.



The MACPanel DAK and PXI Card are now correctly fastened together
and can be used in a MACPanel SCOUT system.

Customer Notes :