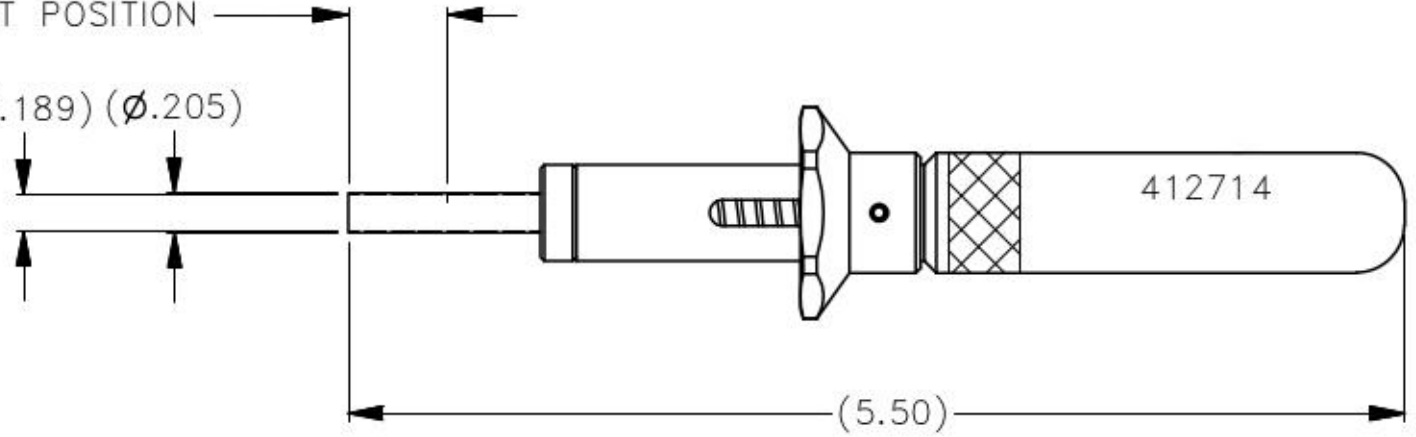


.517±.020 PLUNGER  
RETRACT POSITION

( $\phi$ .189) ( $\phi$ .205)



COMMENTS / NOTES

MACPANEL

WWW.MACPANEL.COM

DRAWN BY  
DCooper

DATE  
05/07/2019



Third Angle  
Projection

DESCRIPTION

Extraction Tool, HiFreq Coax  
Contact

DRAWING NO.

412714

REVISION

SHEET  
1 OF 1