

COMMENTS / NOTES

Example of an APEX PCB Assembly using Headers to enable simple Contact replacement.

MAC-PANEL

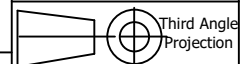
WWW.MACPANEL.COM

DRAWN BY
davecooper

DATE
23/04/2019

DESCRIPTION

PCB_APEX_260



Third Angle
Projection

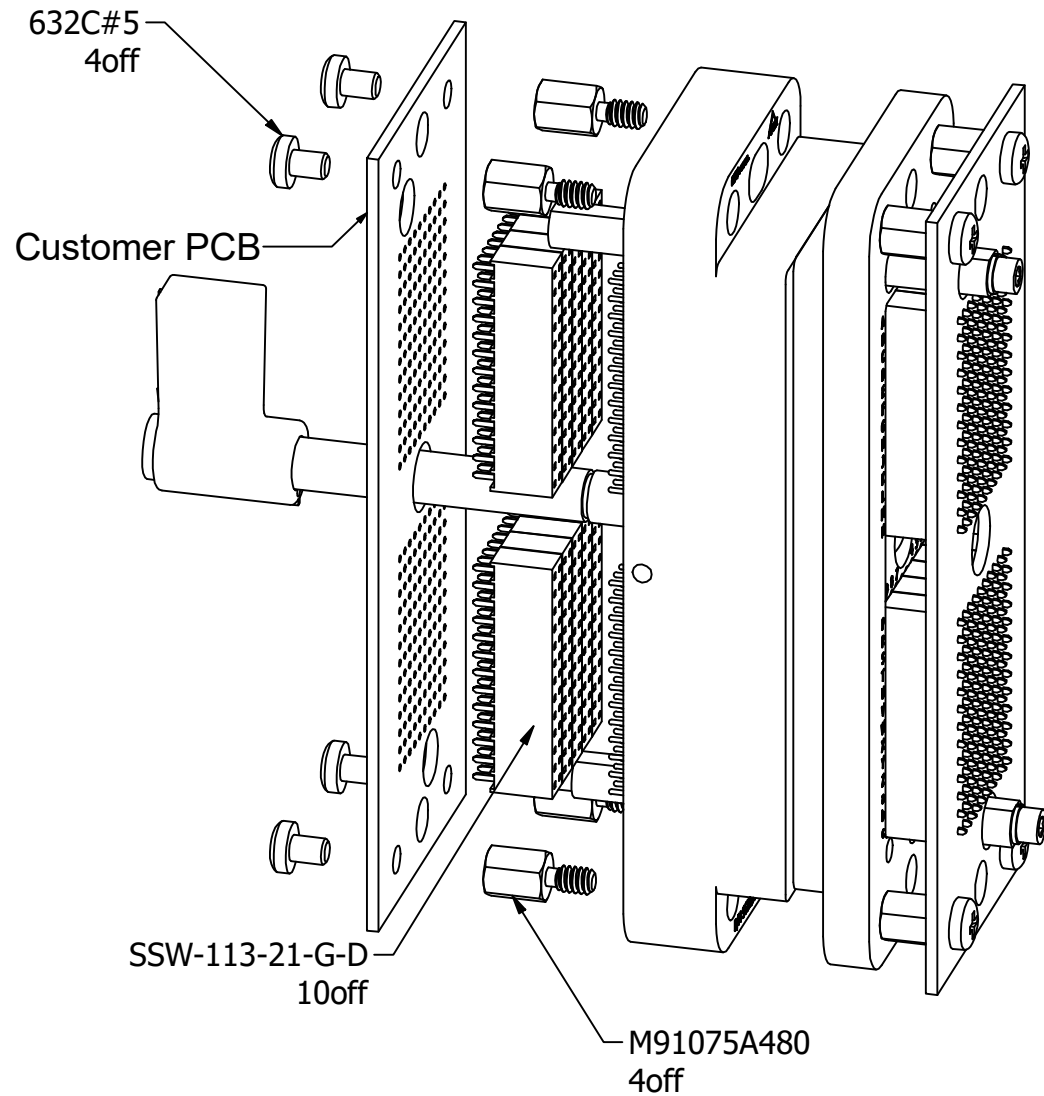
SHEET
1 OF 4

DRAWING NO.

PCB_Example_APEX_260_Plug

REVISION

CU



COMMENTS / NOTES

Exploded view of parts with Headers.

MAC-PANEL

WWW.MACPANEL.COM

DRAWN BY
davecooper

DATE
23/04/2019

DESCRIPTION

PCB_APEX_260



Third Angle
Projection

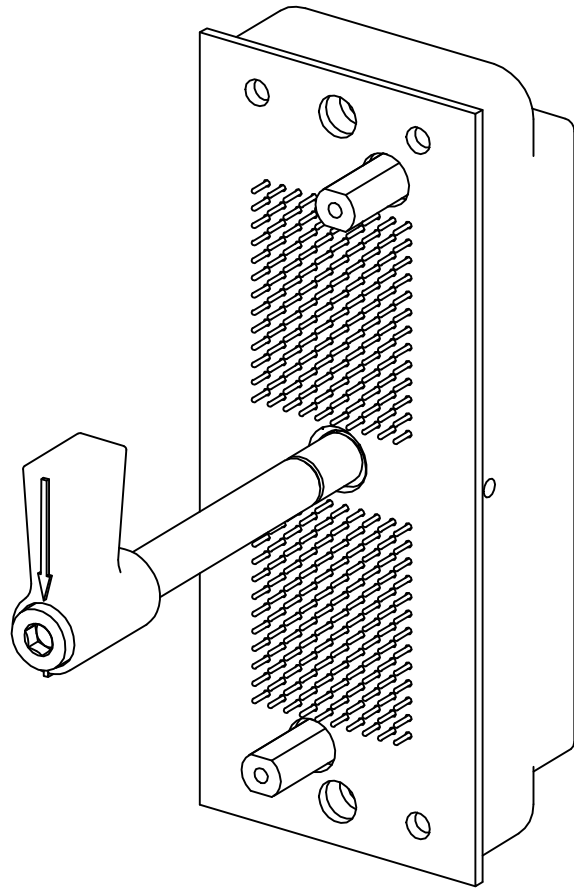
SHEET
2 OF 4

DRAWING NO.

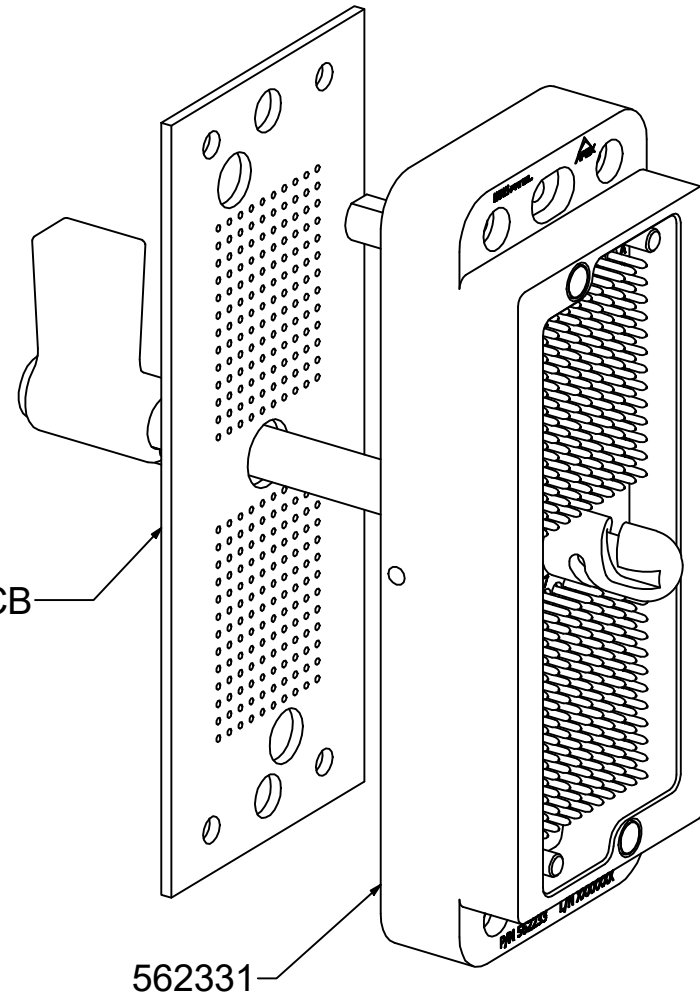
PCB_Example_APEX_260_Plug

REVISION

CU



Customer PCB



COMMENTS / NOTES

Both Assembled and Exploded view of parts without Headers.
But difficult to remove contacts.

MAC-PANEL

WWW.MACPANEL.COM

DRAWN BY
davecooper

DATE
23/04/2019

DESCRIPTION

PCB_APEX_260



Third Angle
Projection

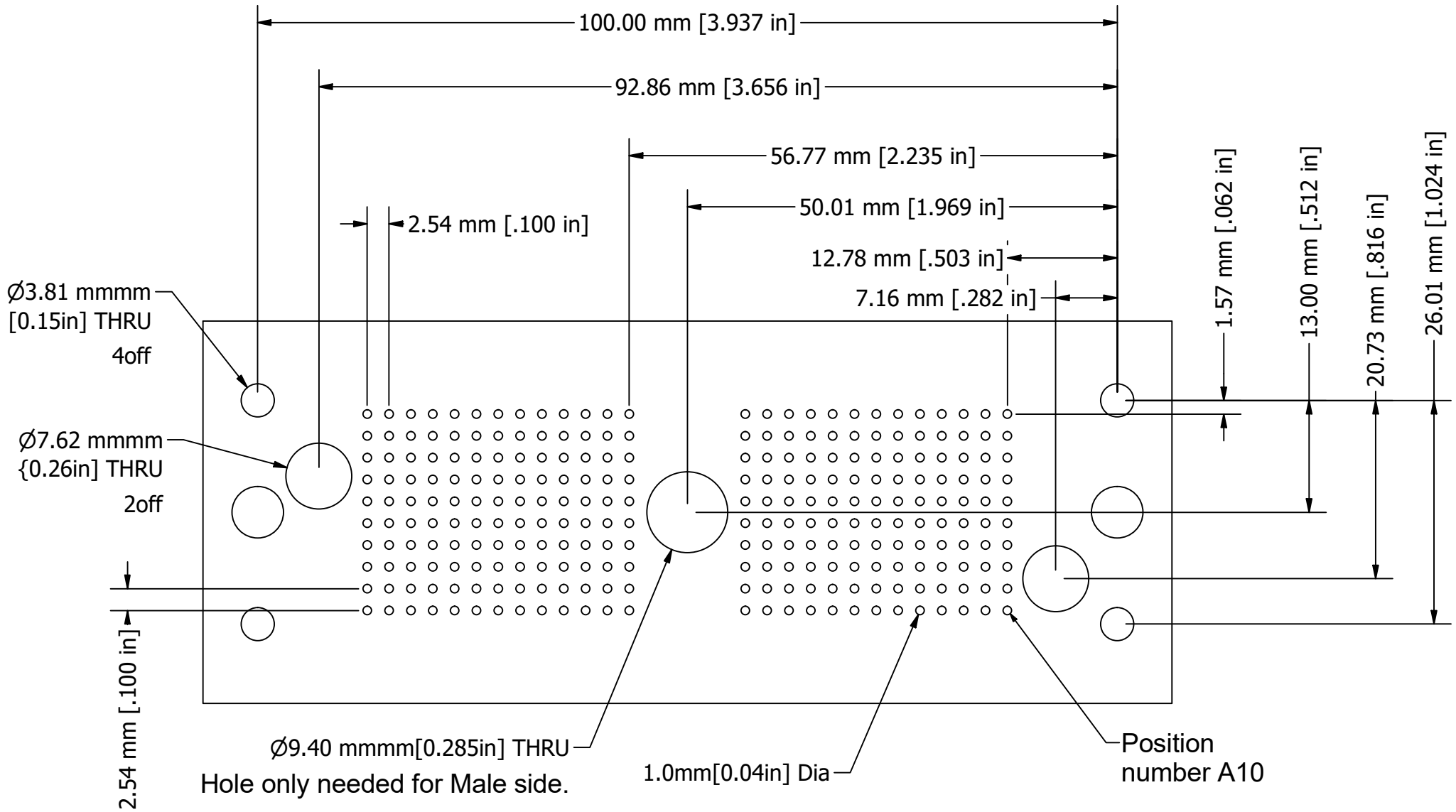
SHEET
3 OF 4

DRAWING NO.

PCB_Example_APEX_260_Plug

REVISION

PCU



COMMENTS / NOTES

Hole Layout for PCB Holes
View is side facing away from body if used with 562233.

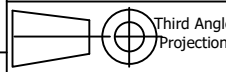


WWW.MACPANEL.COM

DRAWN BY
davecooper

DATE
23/04/2019

DESCRIPTION



SHEET
4 OF 4

DRAWING NO. APEX_260_PCB_Example-A-CU

REVISION