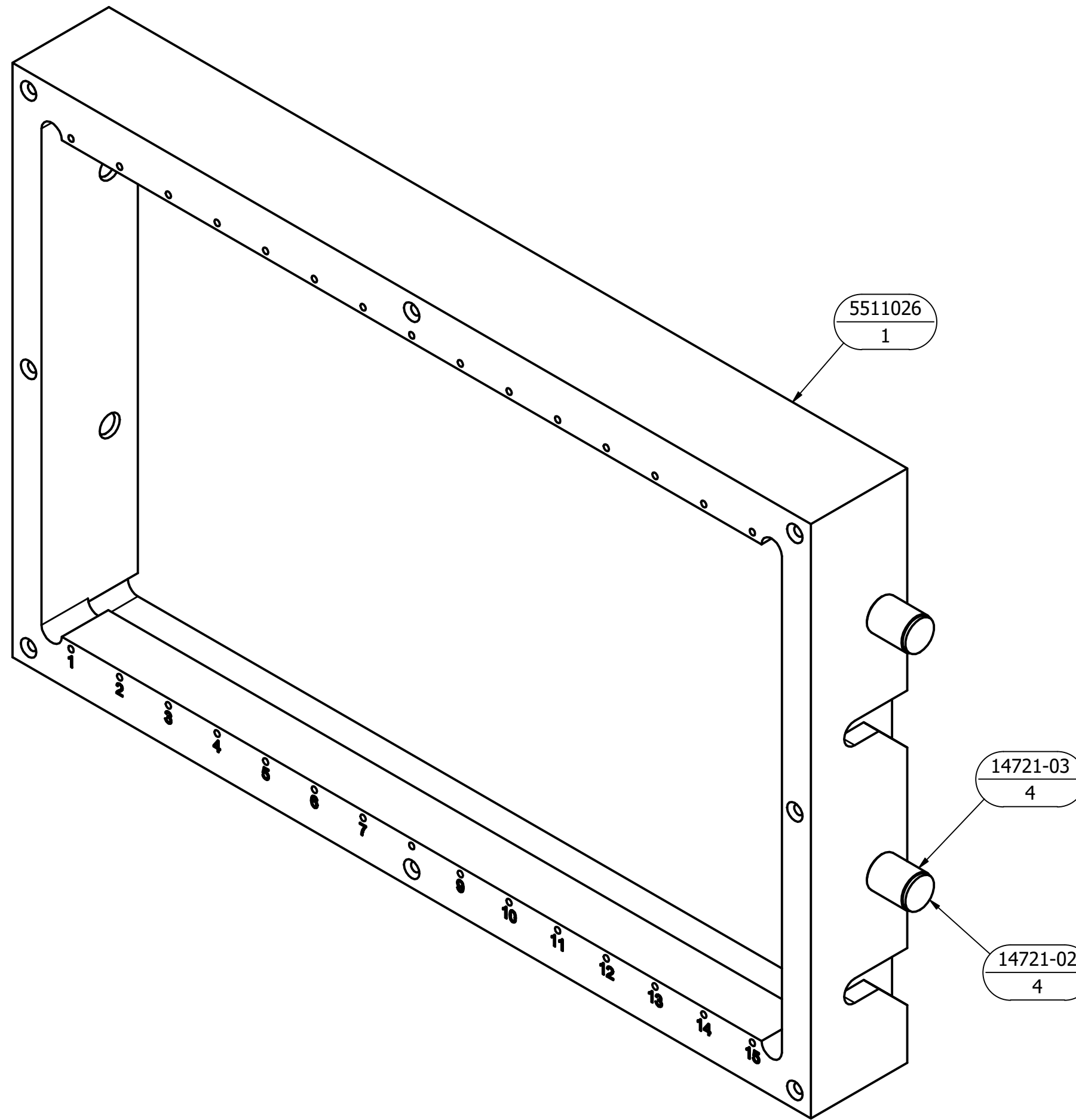


NOTES:

1. USING SILKSCREEN P/N 1510-01 SCREEN CHARACTERS AS SHOWN USING EPOXY INK, COLOR BLACK.



BALLOON LEGEND

PART NUMBER
QTY

MAC PANEL PROPRIETARY
 This document may contain confidential and proprietary information that is the property of MAC Panel Company that may not be disclosed to, or duplicated for others except as authorized by MAC Panel Company.

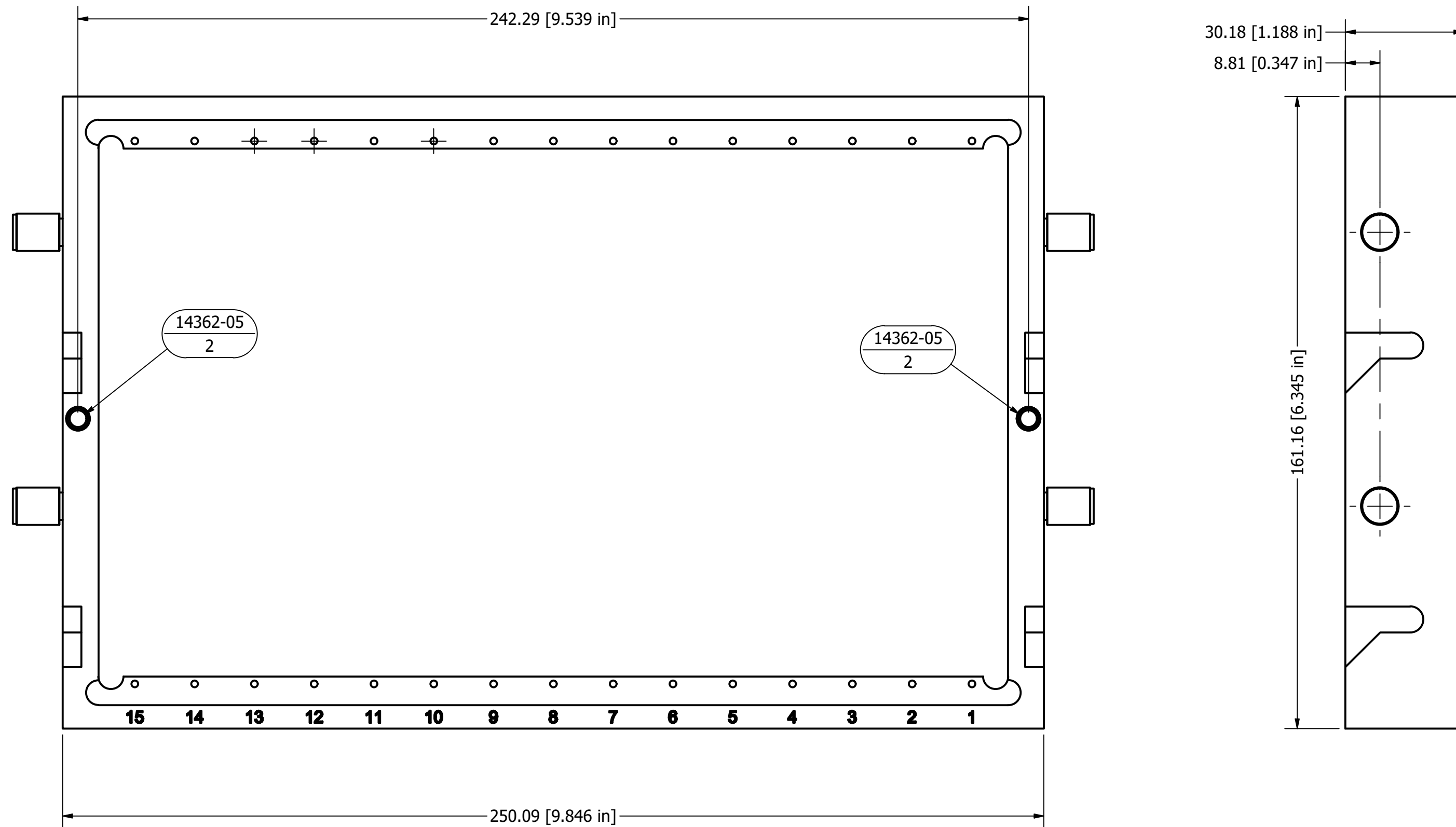
TOLERANCES (UNLESS OTHERWISE SPECIFIED)
 SHEET METAL MACHINED
 ANGLES ± 1' ANGLES ± 1' Third Angle Projection
 .XX ± .03 .XX ± .01 ± .20 mm
 .XXX ± .010 .XXX ± .005 ± .100 mm
 .XXXX ± .0005 ± .0100 mm
 REMOVE ALL BURRS AND BREAK SHARP EDGES.

DRAWN BY DCooper	12/12/2019
ENGINEERING	
OPERATIONS	14/11/2006
MANUFACTURING	
ASSEMBLY	
MATERIAL USED	

MAC PANEL COMPANY - HIGH POINT, NC			
TITLE			
L2000 ITA ASSEMBLY, 15 SLOT			
SIZE C	DWG NO L6021150-01-CU	F	
SCALE 1/1	SPN: SIMILAR P/N	SHEET 1 OF 2	

NOTES:

1. USING SILKSCREEN P/N 1510-01 SCREEN CHARACTERS AS SHOWN USING EPOXY INK, COLOR BLACK.



BALLOON LEGEND	
PART NUMBER	QTY

<p>MAC PANEL PROPRIETARY This document may contain confidential and proprietary information that is the property of MAC Panel Company that may not be disclosed to, or duplicated for others except as authorized by MAC Panel Company.</p>																
<p>TOLERANCES (UNLESS OTHERWISE SPECIFIED)</p> <table border="0"> <tr> <td><u>SHEET METAL</u></td> <td><u>MACHINED</u></td> <td></td> </tr> <tr> <td>ANGLES ± 1'</td> <td>ANGLES ± 1'</td> <td>Third Angle Projection</td> </tr> <tr> <td>.XX ± .03</td> <td>.XX ± .01</td> <td>± .20 mm</td> </tr> <tr> <td>.XXX ± .010</td> <td>.XXX ± .005</td> <td>± .100 mm</td> </tr> <tr> <td></td> <td>.XXXX ± .0005</td> <td>± .0100 mm</td> </tr> </table>		<u>SHEET METAL</u>	<u>MACHINED</u>		ANGLES ± 1'	ANGLES ± 1'	Third Angle Projection	.XX ± .03	.XX ± .01	± .20 mm	.XXX ± .010	.XXX ± .005	± .100 mm		.XXXX ± .0005	± .0100 mm
<u>SHEET METAL</u>	<u>MACHINED</u>															
ANGLES ± 1'	ANGLES ± 1'	Third Angle Projection														
.XX ± .03	.XX ± .01	± .20 mm														
.XXX ± .010	.XXX ± .005	± .100 mm														
	.XXXX ± .0005	± .0100 mm														
<p>REMOVE ALL BURRS AND BREAK SHARP EDGES.</p>																

DRAWN BY DCooper	12/12/2019
ENGINEERING	
OPERATIONS	14/11/2006
MANUFACTURING	
ASSEMBLY	
MATERIAL USED	

MAC PANEL COMPANY - HIGH POINT, NC			
TITLE			
L2000 ITA ASSEMBLY, 15 SLOT			
SIZE C	DWG NO L6021150-01-CU	F	
SCALE 1/1	SPN: SIMILAR P/N	SHEET 2 OF 2	