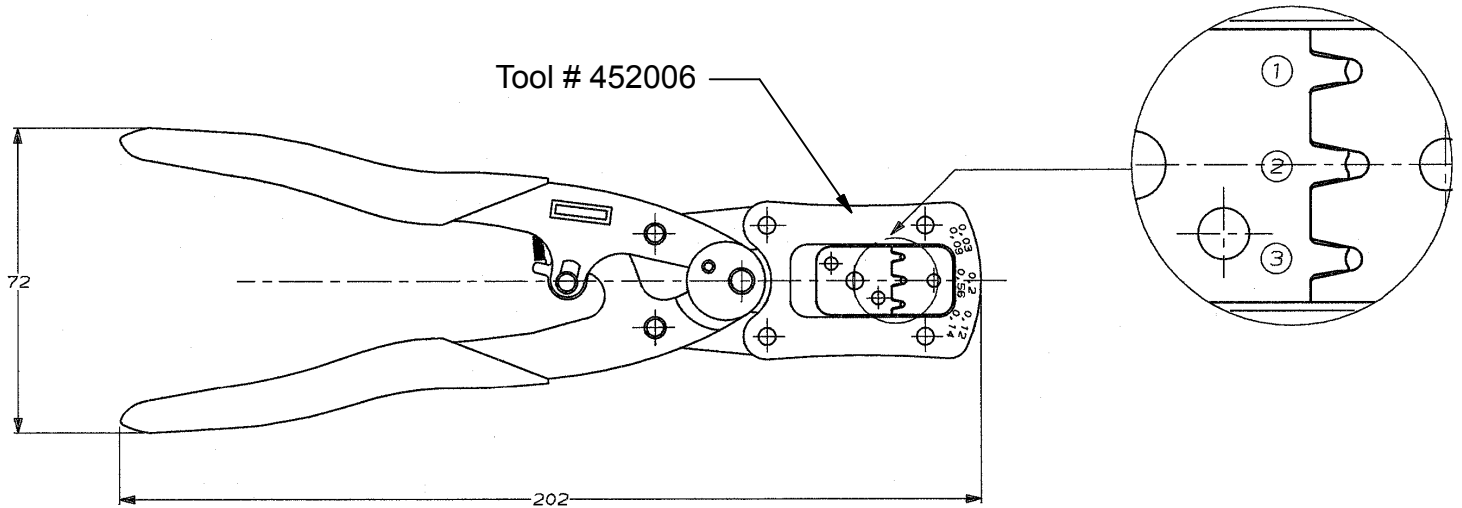


Wiring Assembly Instructions

7853106-03 (22-26 AWG)

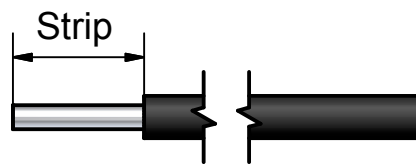
7853106-02 (28-32 AWG)



Strip Wire Lengths

7853106-03 Strip 3.18 - 3.96 mm (0.125 - 0.156 in)

7853106-02 Strip 3.18 - 3.96 mm (0.125 - 0.156 in)

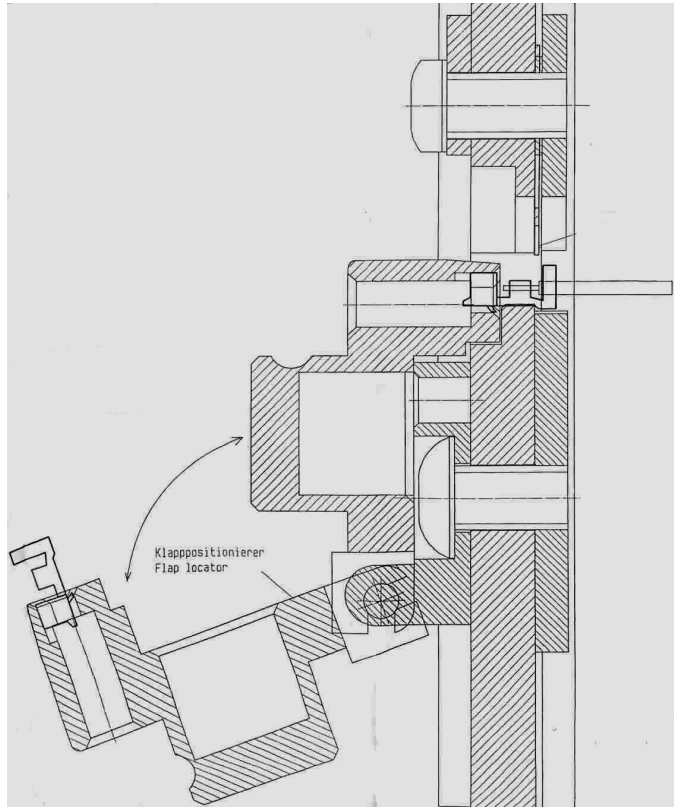


Crimping Process

1. Insert contact into crimp tool flap locator, use the correct location for contact type.

7853106-02 - position 1

7853106-03 - position 2



2. Move flap locator so that the contact is inserted into the crimp window.
3. Pre close crimp tool til 1 ratchet tooth clicks.
4. Insert wire into contact.
5. Close crimp tool until the ratchet releases the handle.
6. Open flap locator and remove crimped contact from tool.

