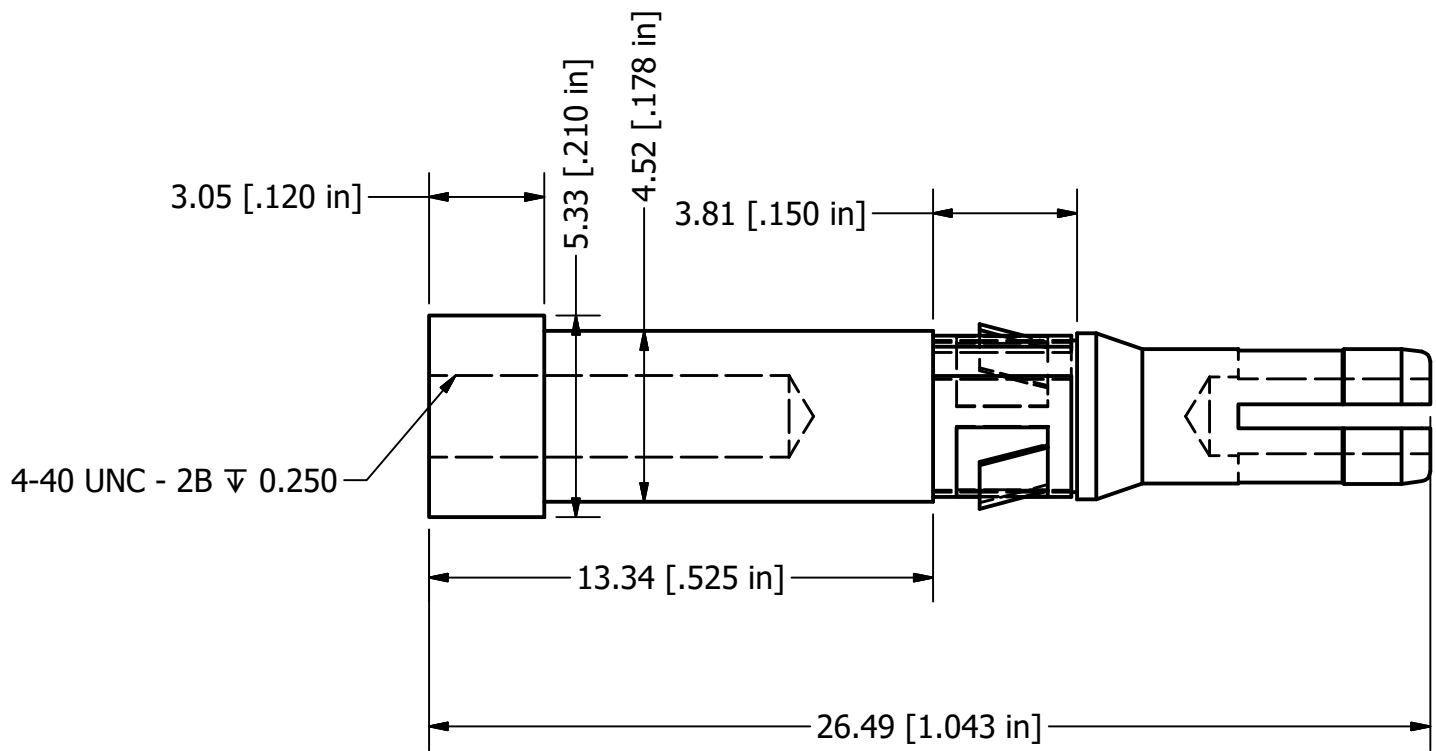
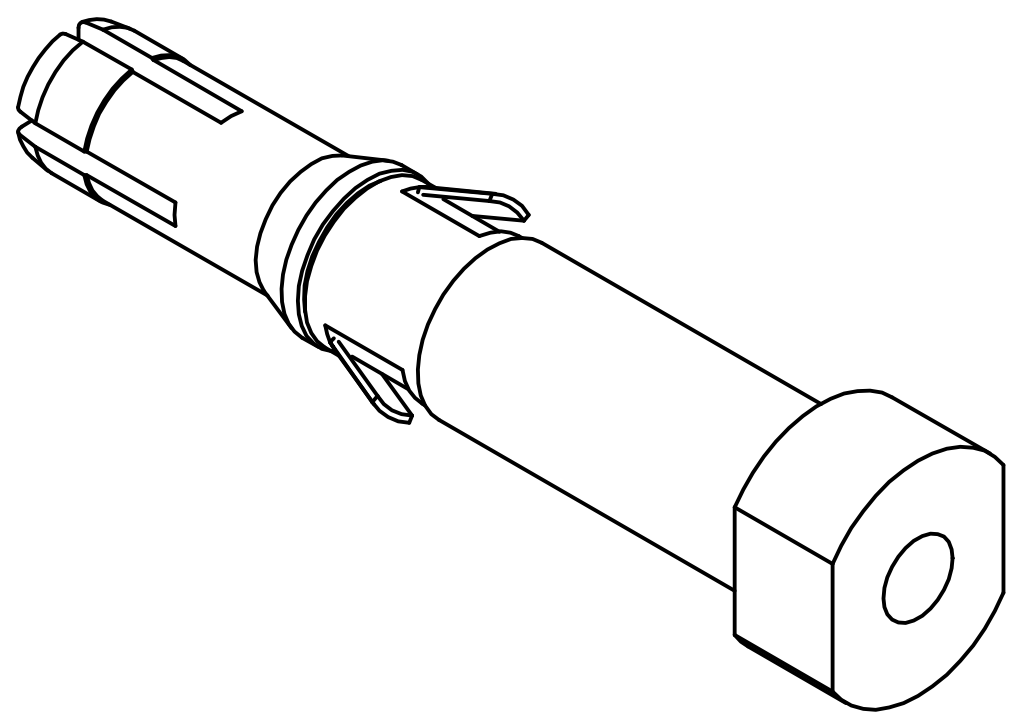


8 7 6 5 4 3 2 1

NOTES:

1.



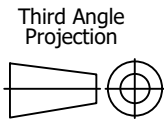
BALLOON LEGEND	
PART NUMBER	
QTY	

MAC PANEL PROPRIETARY
 This document may contain confidential and proprietary information that is the property of MAC Panel Company that may not be disclosed to, or duplicated for others except as authorized by MAC Panel Company.

TOLERANCES (UNLESS OTHERWISE SPECIFIED)

SHEET METAL	MACHINED
ANGLES \pm 1'	ANGLES \pm 1'
.XX \pm .03	.XX \pm .01
.XXX \pm .010	.XXX \pm .005
	.XXXX \pm .0005

REMOVE ALL BURRS AND BREAK SHARP EDGES.



DRAWN BY DBCooper	08/11/2018
ENGINEERING	
OPERATIONS	
MANUFACTURING	
ASSEMBLY	
MATERIAL USED	

MAC PANEL COMPANY - HIGH POINT, NC			
TITLE GROUNDING LUG ASSEMBLY, SOCKET, DISCRETE			
SIZE B	CAGE CODE 16654	DWG NO 562899-CU	REV A
SCALE	SPN:	SHEET 1 OF 1	

8 7 6 5 4 3 2 1