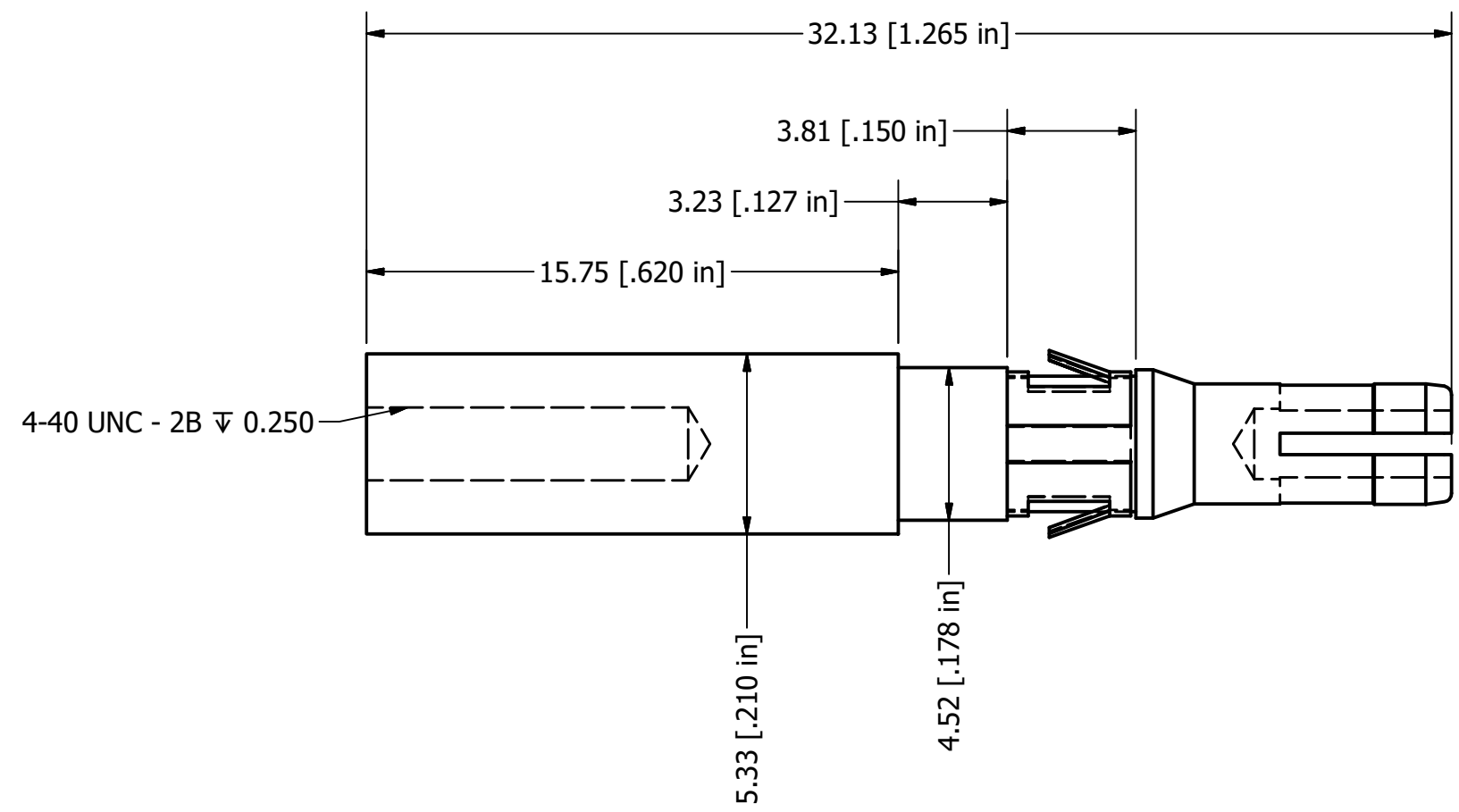
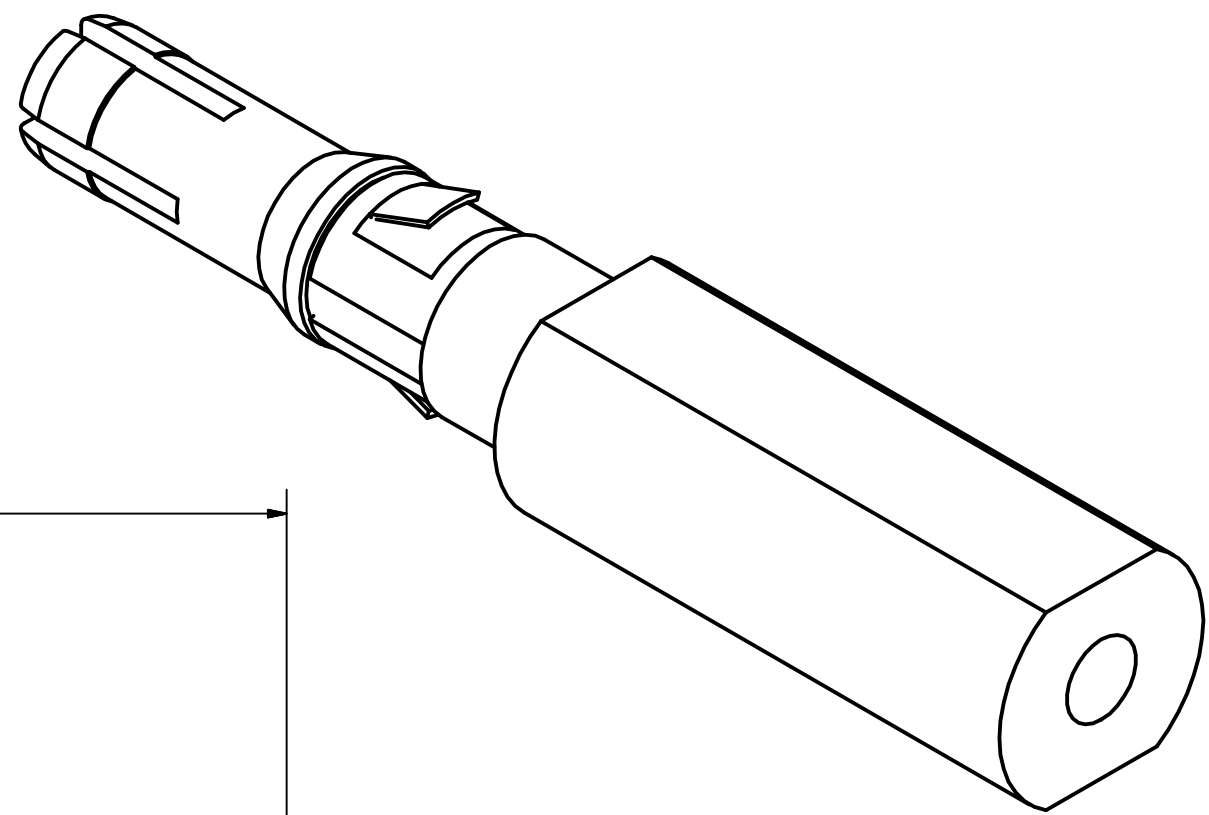


8 7 6 5 4 3 2 1

NOTES:

1.

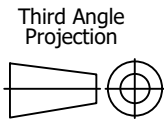


BALLOON LEGEND	
PART NUMBER	QTY

MAC PANEL PROPRIETARY  
 This document may contain confidential and proprietary information that is the property of MAC Panel Company that may not be disclosed to, or duplicated for others except as authorized by MAC Panel Company.

TOLERANCES (UNLESS OTHERWISE SPECIFIED)  
SHEET METAL    MACHINED  
 ANGLES ± 1'    ANGLES ± 1'  
 .XX ± .03    .XX ± .01  
 .XXX ± .010    .XXX ± .005  
 .XXXX ± .0005

REMOVE ALL BURRS AND BREAK SHARP EDGES.



DRAWN BY DBCooper	08/11/2018
ENGINEERING	
OPERATIONS	
MANUFACTURING	
ASSEMBLY	
MATERIAL USED	

MAC PANEL COMPANY - HIGH POINT, NC			
TITLE			
GROUNDING LUG ASSEMBLY, SOCKET, PCB			
SIZE B	CAGE CODE 16654	DWG NO 562894-CU	REV A
SCALE		SPN:	SHEET 1 OF 1

8 7 6 5 4 3 2 1