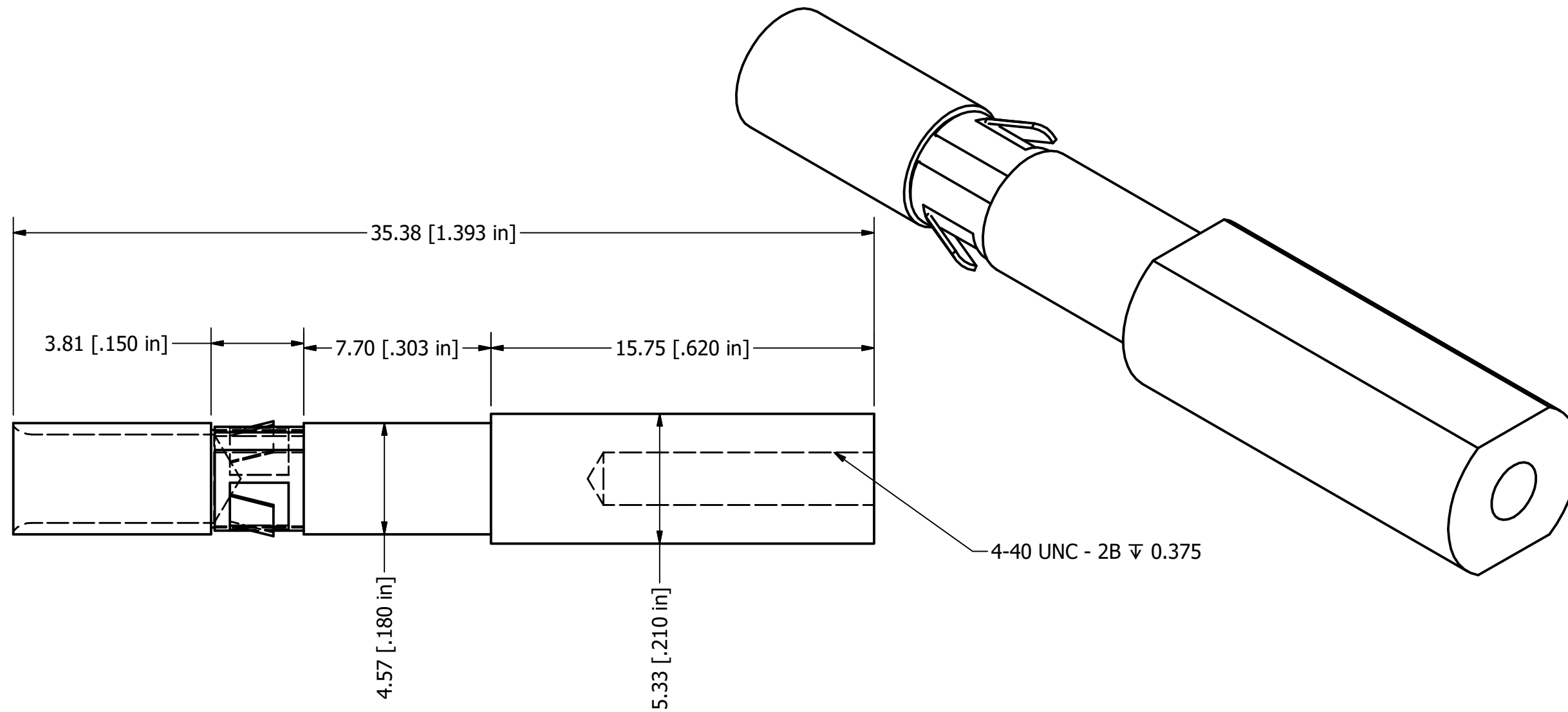


8 7 6 5 4 3 2 1

NOTES:

1.



D

D

C

C

B

B

B

B

A

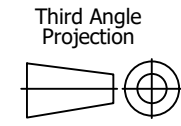
A

BALLOON LEGEND	
PART NUMBER	QTY

MAC PANEL PROPRIETARY
 This document may contain confidential and proprietary information that is the property of MAC Panel Company that may not be disclosed to, or duplicated for others except as authorized by MAC Panel Company.

TOLERANCES (UNLESS OTHERWISE SPECIFIED)
SHEET METAL MACHINED
 ANGLES ± 1' ANGLES ± 1'
 .XX ± .03 .XX ± .01
 .XXX ± .010 .XXX ± .005
 .XXXX ± .0005

REMOVE ALL BURRS AND BREAK SHARP EDGES.



DRAWN BY	03/03/2014
GAC	
ENGINEERING	
OPERATIONS	
MANUFACTURING	
ASSEMBLY	
MATERIAL USED	

MAC PANEL COMPANY - HIGH POINT, NC			
TITLE			
GROUNDING LUG ASSEMBLY, PLUG, PCB			
SIZE	CAGE CODE	DWG NO	REV
B	16654	562893-CU	A
SCALE	SPN:	SHEET 1 OF 1	

8 7 6 5 4 3 2 1