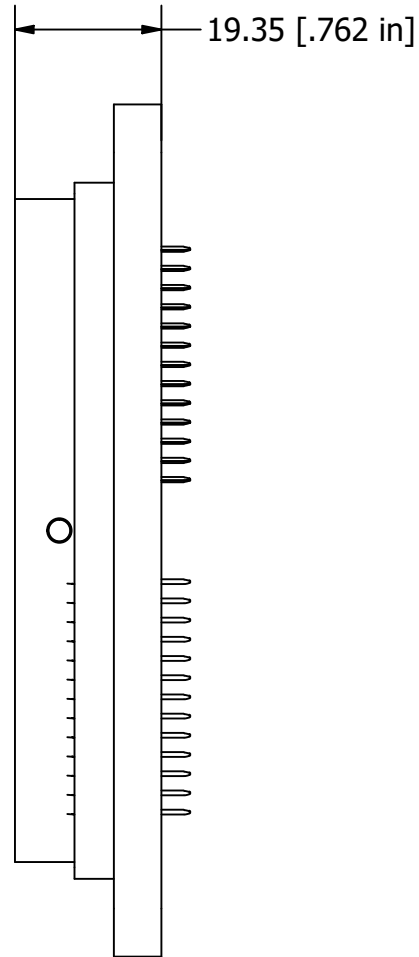
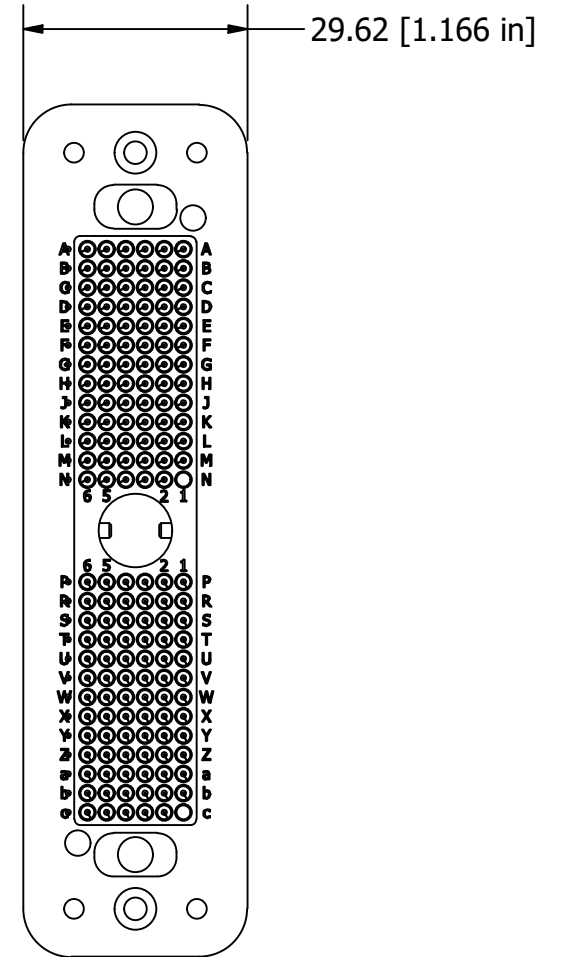


MATING FACE VIEW



SIDE VIEW



WIRING FACE VIEW

COMMENTS / NOTES

MACPANEL

WWW.MACPANEL.COM

DRAWN BY  
D Cooper

DATE  
3/12/2019



DESCRIPTION

APEX, Socket, 156 Position, PCB

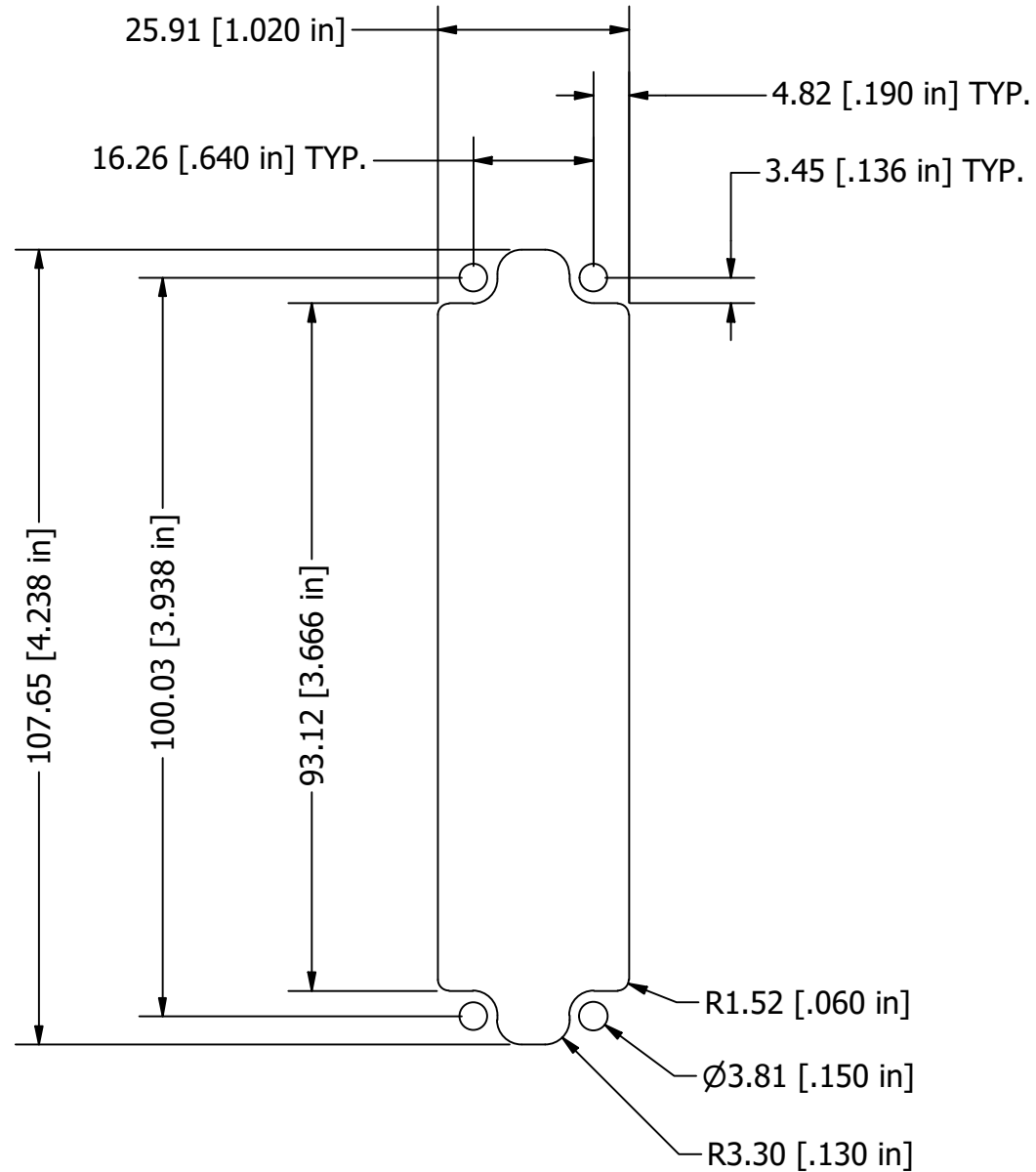
SHEET  
1 OF 3

DRAWING NO.

562609  
Customer Drawing

REVISION

C



COMMENTS / NOTES

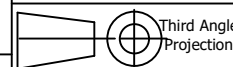
1. Suggested cutout for back mounting of APEX 156 in a plate.
2. When using 565811 Header Kit, eliminate Ø.150 thru holes in faceplate.

MACPANEL

WWW.MACPANEL.COM

DRAWN BY  
D Cooper

DATE  
3/12/2019



SHEET  
2 OF 3

DESCRIPTION

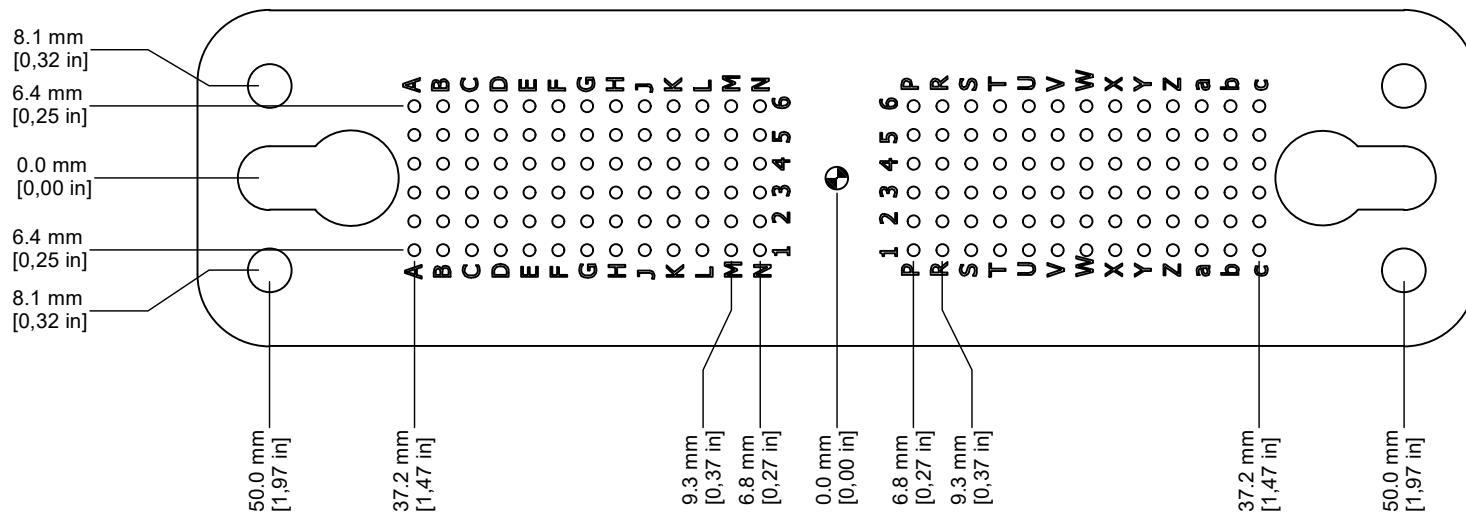
APEX RECOMMENDED PANEL  
CUTOUT, 156 POSITION SOCKET

DRAWING NO.

Customer Drawing

REVISION

C



COMMENTS / NOTES

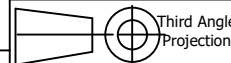
Hole layout for PCB holes when directly soldering APEX to PCB.  
 MAC Panel recommends using Header Kit, 565811, for PCB applications.  
 Please see associated information under Header Kit web page.



WWW.MACPANEL.COM

DRAWN BY  
DCooper

DATE  
3/12/2019



SHEET  
3 OF 3

DESCRIPTION

156 REFERENCE PCB

DRAWING NO.

Customer Drawing

REVISION

C