

COMMENTS / NOTES

Overall View  
 Not all contacts shown for clarity.  
 Supplied with 260off 562152 contacts installed.



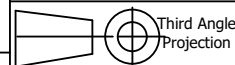
WWW.MACPANEL.COM

DRAWN BY  
 davecooper

DATE  
 15/07/2020

DESCRIPTION

APEX, Socket, 260 Position, PCB



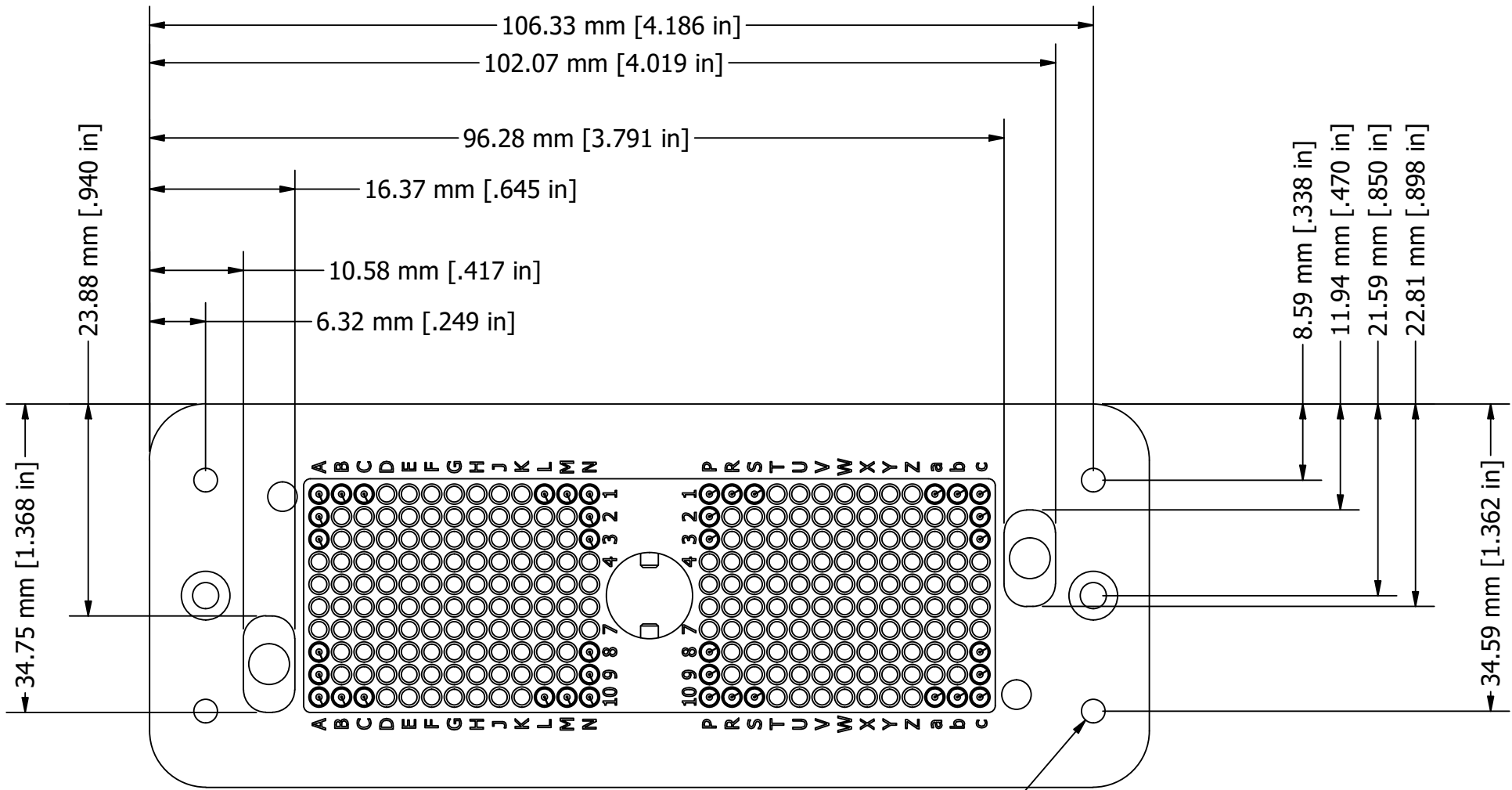
SHEET  
 1 OF 4

DRAWING NO.

562333-CU

REVISION

C



COMMENTS / NOTES

View to show Numbering of contact positions from back of APEX module, Also dimensions of mounting holes and clearance for Grounding lugs.



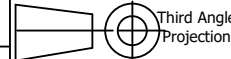
WWW.MACPANEL.COM

DRAWN BY  
davecooper

DATE  
15/07/2020

DESCRIPTION

APEX, Socket, 260 Position, PCB



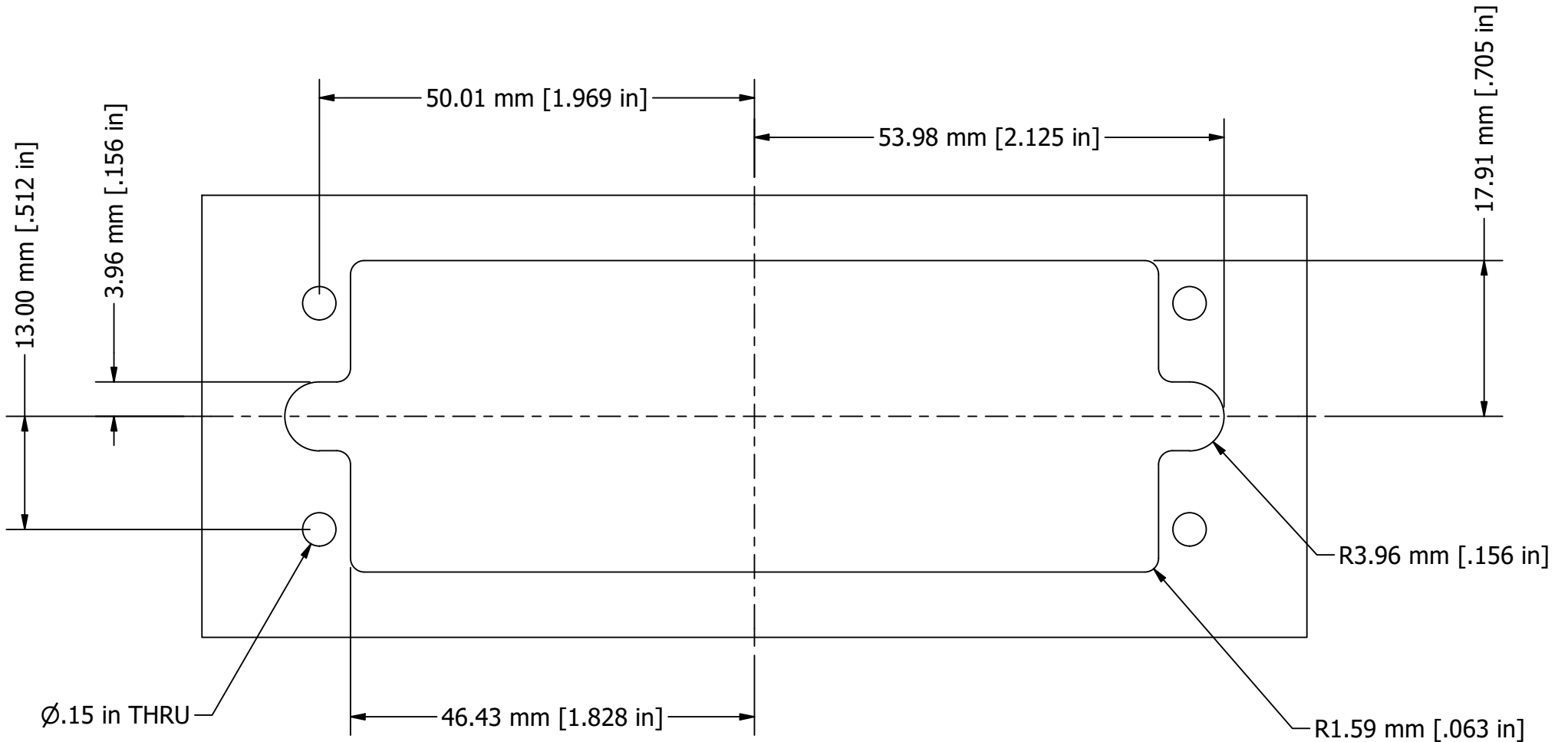
DRAWING NO.

562333-CU

REVISION

C

SHEET  
2 OF 4



COMMENTS / NOTES

Suggested cut out to suit APEX 260 mounting in a plate.

MACPANEL

WWW.MACPANEL.COM

DRAWN BY  
davecooper

DATE  
15/07/2020



DESCRIPTION

APEX, Socket, 260 Position, PCB

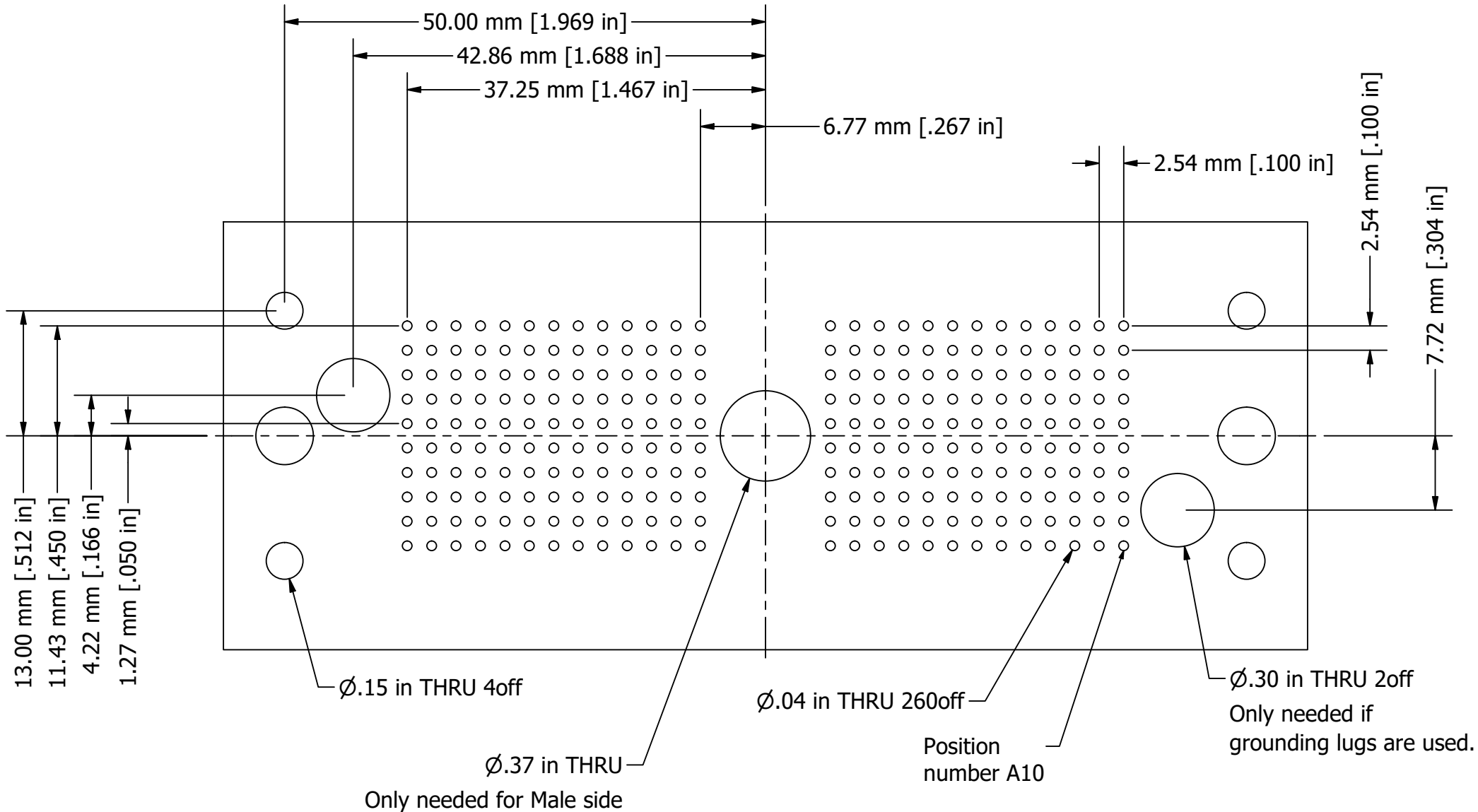
SHEET  
3 OF 4

DRAWING NO.


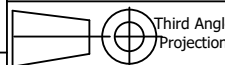
APEX-LIF-260-Cutout-CU

REVISION

C



COMMENTS / NOTES  
 Hole Layout for PCB holes  
 View is component side if used with 562333

 WWW.MACPANEL.COM	DRAWN BY davecooper	DATE 15/07/2020	DESCRIPTION APEX, Socket, 260 Position, PCB
	 Third Angle Projection		DRAWING NO. APEX_260_PCB_Example-A-CU <sup>C</sup>
SHEET 4 OF 4		REVISION	