

MATING FACE VIEW

COMMENTS / NOTES

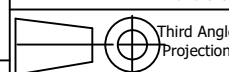
Overall View
 Not all contacts shown for clarity.
 Supplied with (260) 562152 contacts installed.



WWW.MACPANEL.COM

DRAWN BY
 davecooper

DATE
 7/14/2020



SHEET
 1 OF 4

DESCRIPTION

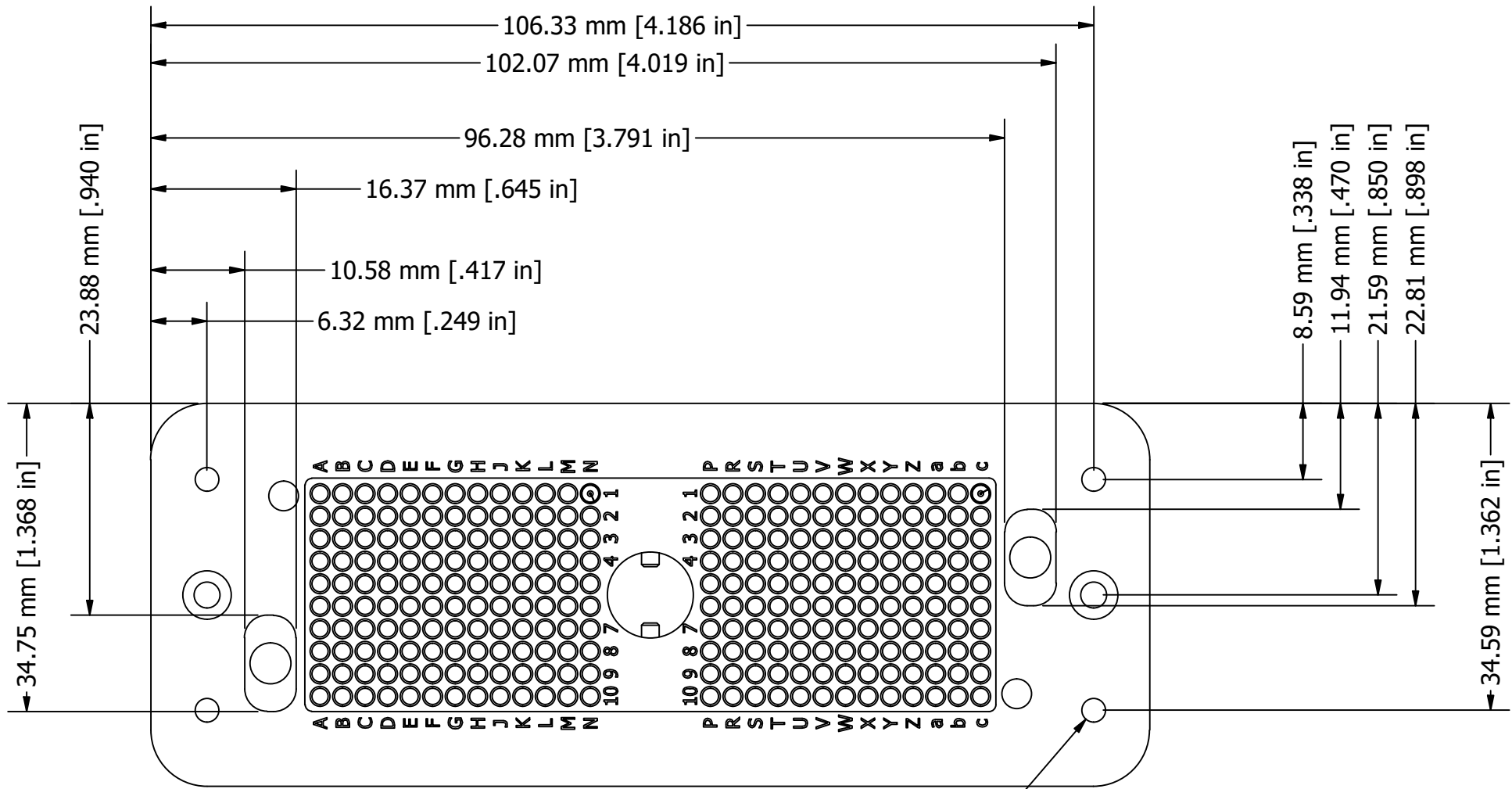
APEX, Socket, 260 Position, PCB

DRAWING NO.

562333-CU

REVISION

C



6-32 UNC - 2B 4off

COMMENTS / NOTES

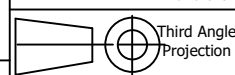
View to show Numbering of contact positions from back of APEX module, Also dimensions of mounting holes and clearance for Grounding Lugs.

MACPANEL

WWW.MACPANEL.COM

DRAWN BY
davecooper

DATE
7/14/2020



SHEET
2 OF 4

DESCRIPTION

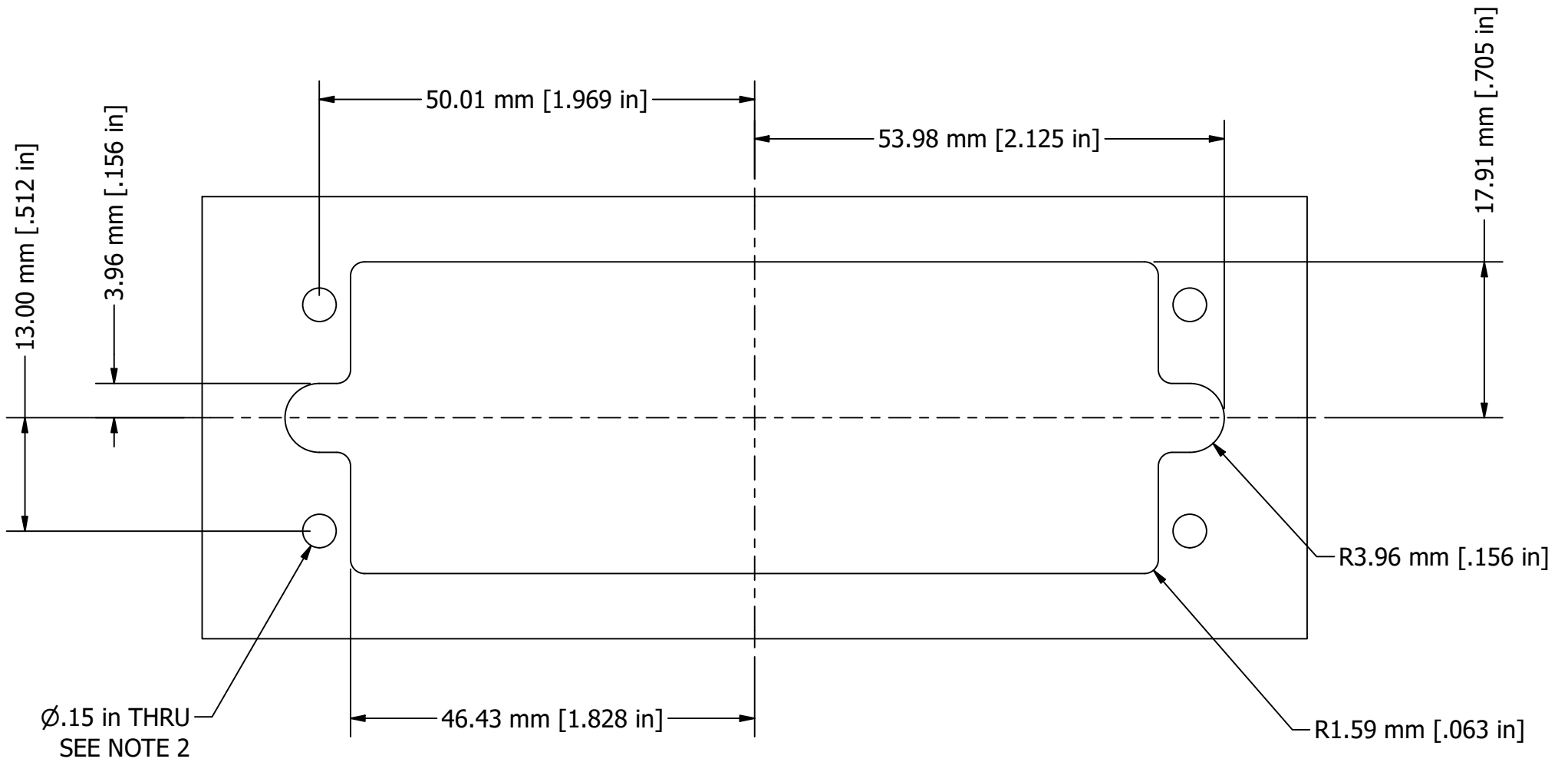
APEX, Socket, 260 Position, PCB

DRAWING NO.

562333-CU

REVISION

C



COMMENTS / NOTES

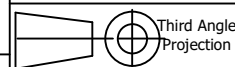
1. Suggested cut out to suit APEX 260 rear mounting in a plate.
2. When using header kit, 565809, eliminate $\varnothing.15$ thru holes

MACPANEL

WWW.MACPANEL.COM

DRAWN BY
davecooper

DATE
7/14/2020



SHEET
3 OF 4

DESCRIPTION

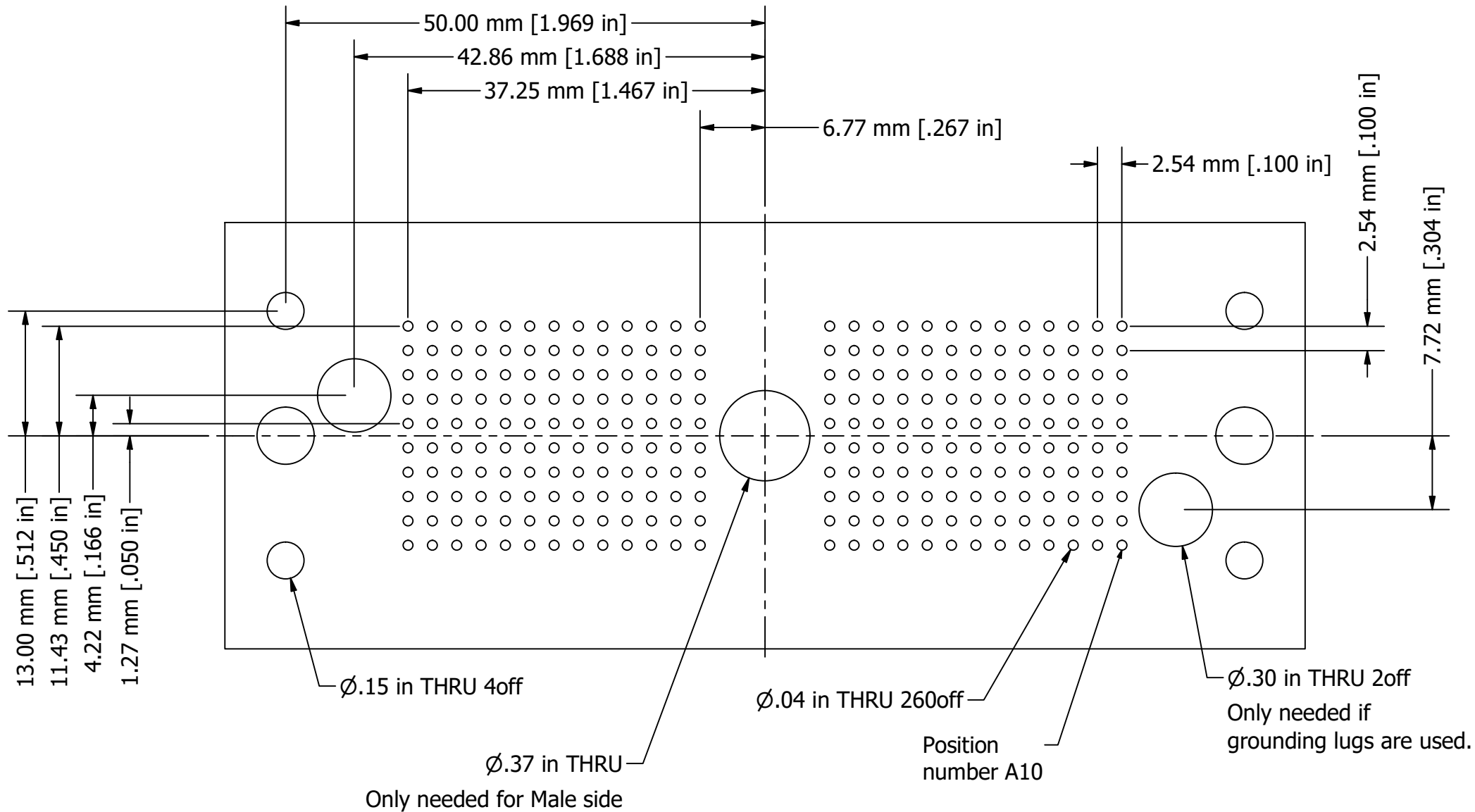
APEX, Socket, 260 Position, PCB

DRAWING NO.

APEX-LIF-260-Cutout-CU

REVISION

C



COMMENTS / NOTES

Components Side Hole Layout for PCB holes.

MAC Panel recommends using Header Kit 565809 for PCB applications. Please see information associated with Header Kit on our website.



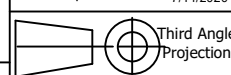
WWW.MACPANEL.COM

DRAWN BY
davecooper

DATE
7/14/2020

DESCRIPTION

APEX, Socket, 260 Position, PCB



SHEET
4 OF 4

DRAWING NO.

APEX_260_PCB_Example-CU

REVISION

C