

COMMENTS / NOTES
Overall View

MAC-PANEL

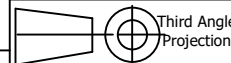
WWW.MACPANEL.COM

DRAWN BY
D Cooper

DATE
7/14/2020

DESCRIPTION

APEX, SOCKET, 260 POSITION,
CRIMP



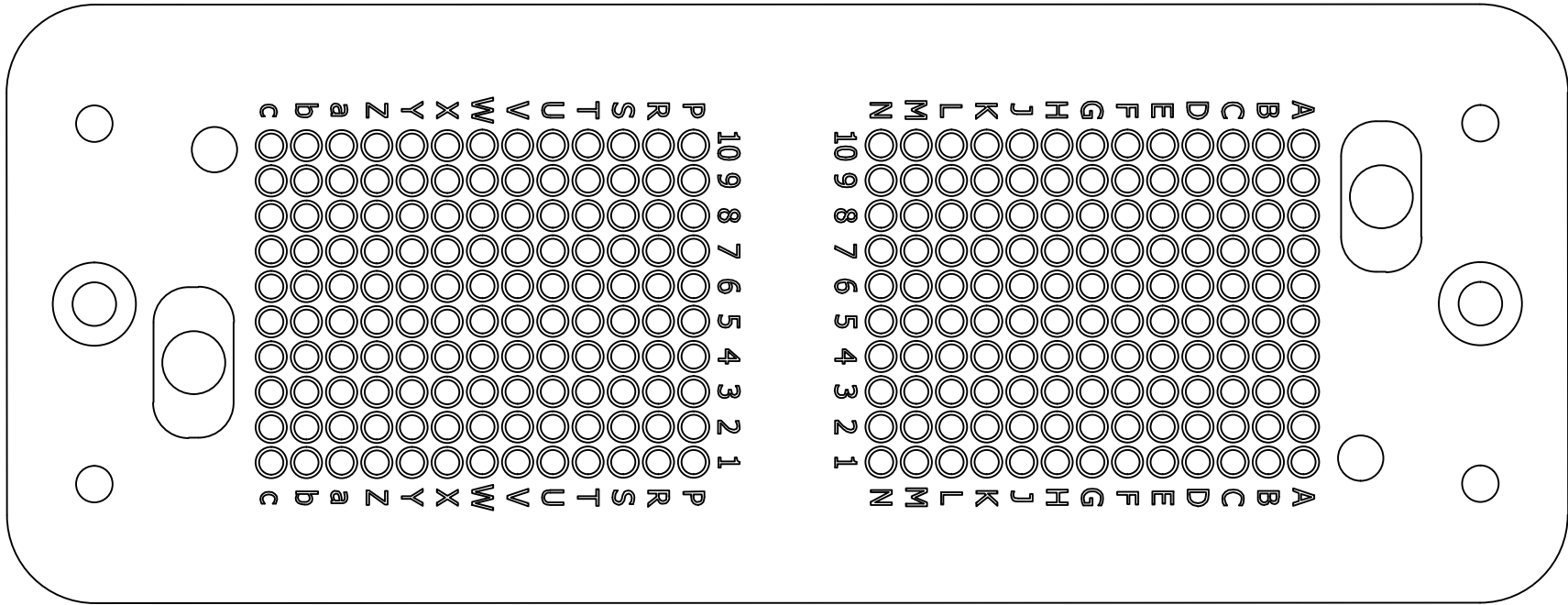
DRAWING NO.

562332-CU

REVISION

B

SHEET
1 OF 3



COMMENTS / NOTES

To Show labeling



WWW.MACPANEL.COM

DRAWN BY
D Cooper

DATE
7/14/2020



SHEET
2 OF 3

DESCRIPTION

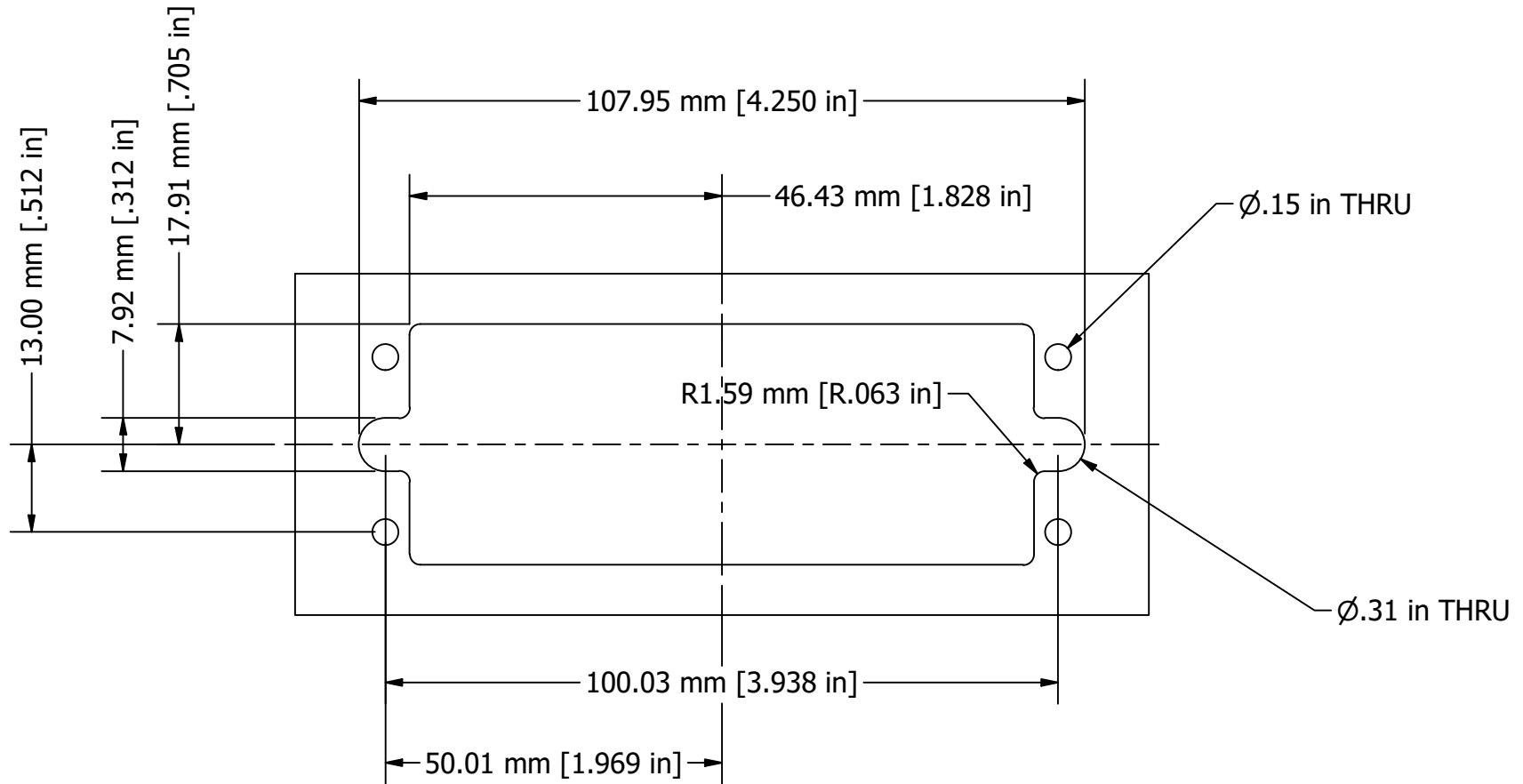
APEX, SOCKET, 260 POSITION,
CRIMP

DRAWING NO.

562332-CU

REVISION

B



COMMENTS / NOTES

Cut out dimensions

MACPANEL

WWW.MACPANEL.COM

DRAWN BY
D Cooper

DATE
7/14/2020



Third Angle
Projection

DESCRIPTION

APEX 260 SHEETMETAL CUTOUT

DRAWING NO.

562332-CU

REVISION

B

SHEET
3 OF 3