

COMMENTS / NOTES

Micro Power OR Micro Coax Contacts.

Positions: (37 ↔ 54)

Signal Contacts.

Positions: (1 ↔ 36) and (55 ↔ 90)

See sheet 2 for cutout dimensions.



WWW.MACPANEL.COM

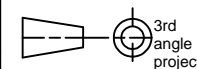
DRAWN BY

DATE

18/08/2008

DESCRIPTION

Hybrid LIF, 18 / 72 Socket



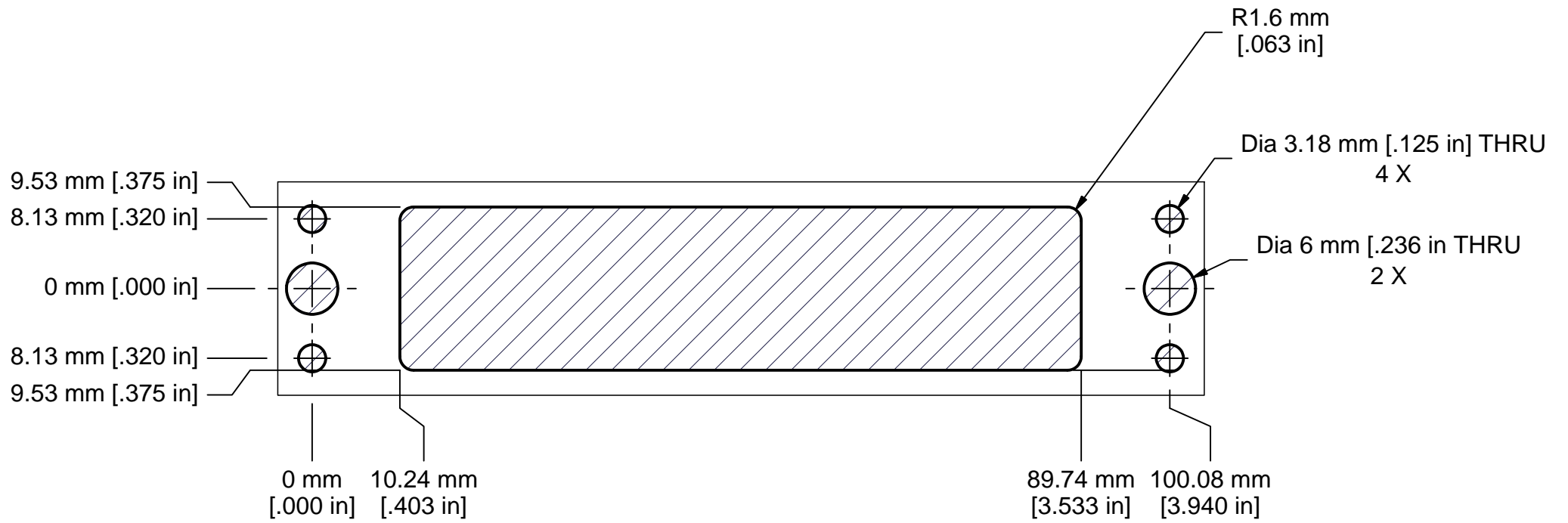
SHEET

1 OF 2

DRAWING NO.

LIF-18-72-F-CU

REVISION



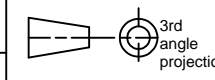
COMMENTS / NOTES

Cutout hatched area / holes on mounting plate.

MAC-PANEL

WWW.MACPANEL.COM

DRAWN BY DATE 18/08/2008



SHEET 2 OF 2

DESCRIPTION

DRAWING NO. -CU REVISION