

Socket Rear View

COMMENTS / NOTES

See sheet 2 for cutout dimensions.

○○○○○○○

MAC-PANEL

WWW.MACPANEL.COM

DRAWN BY

DATE 18/08/2008

3rd angle projection

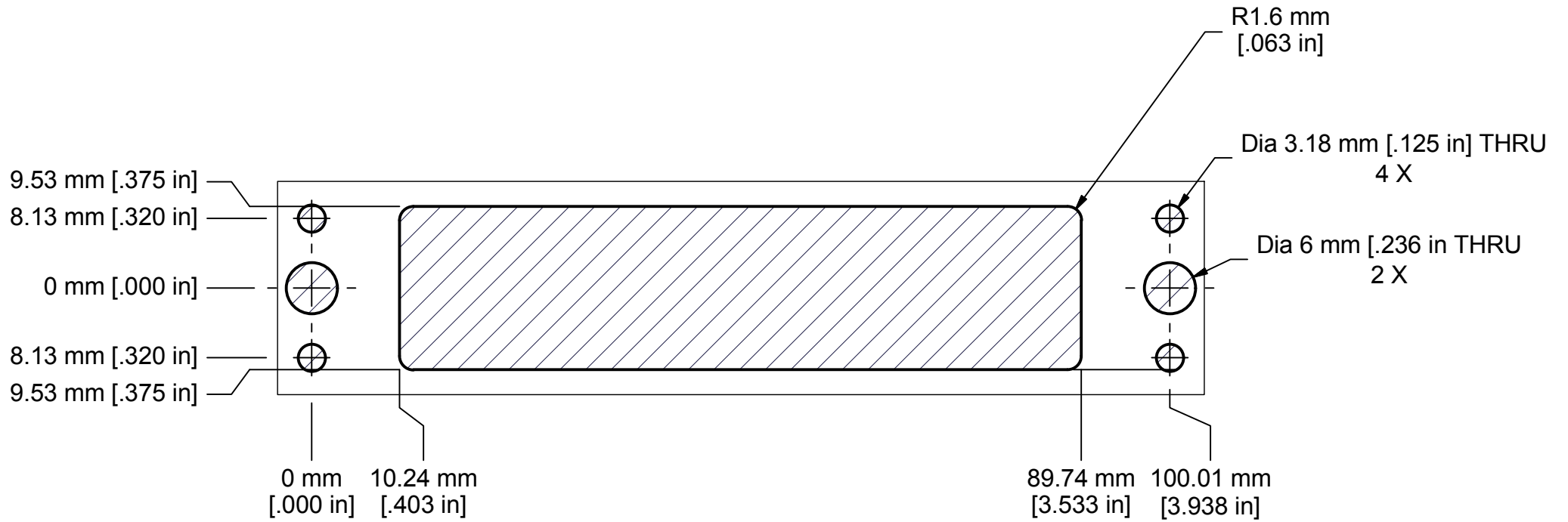
SHEET 1 OF 2

DESCRIPTION

Socket, Female, 156 Way, LIF

DRAWING NO. LIF-0156-F-CU

REVISION A



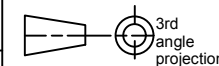
COMMENTS / NOTES

Cutout hatched area / holes on mounting plate.

MAC-PANEL

WWW.MACPANEL.COM

DRAWN BY DATE 18/08/2008



SHEET 2 OF 2

DESCRIPTION

DRAWING NO. REVISION

-CU

A