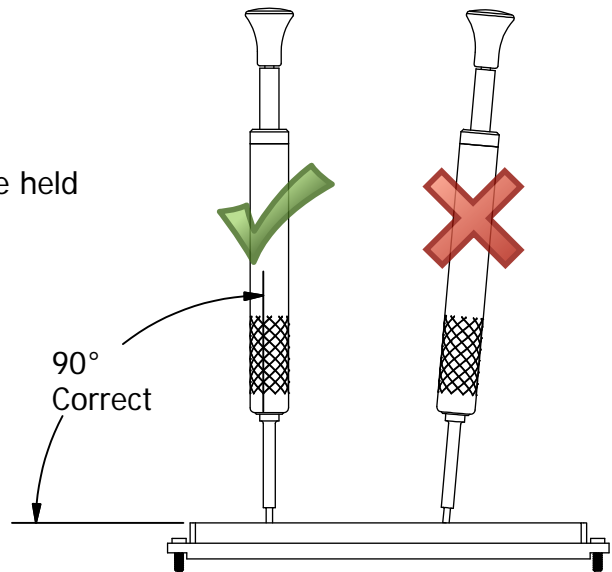


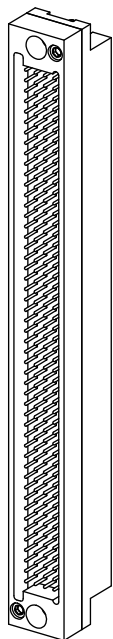
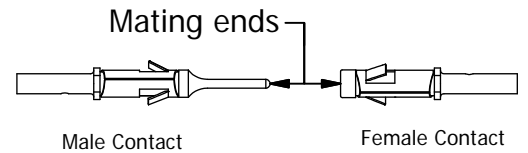
Procedure for removing contacts from ITA & Receiver modules using the correct MAC Panel extraction tool.

When extracting contacts, the tool must be held as close to 90° to the module as possible. Failure to do this may result in damage to the contact and (or) extraction tool.

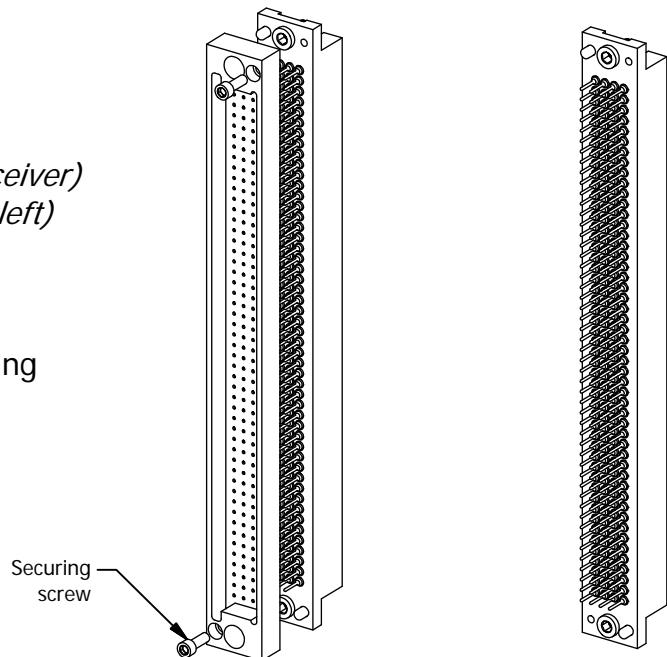


To remove contacts from a module.

*** On ALL modules the extraction tool is inserted over the mating end of the contact. ***



Some modules (*ITA & Receiver*) such as #561421 (*shown left*) have a cap which has to be removed prior to contact removal. This is achieved by removing the securing screws (*shown right*).

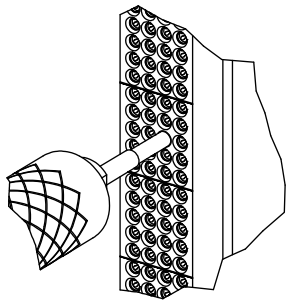


#561421 shown with cap removed.

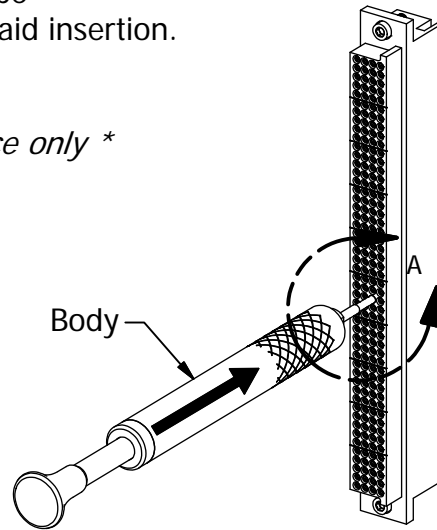
Step 1) Insert body into module.

Gripping the body of the Extraction tool
push the tip into the module over the contact to be
removed, the tool can be rotated at this point to aid insertion.

** Images for step 1 & 2 show module #561303
and extraction tool #412709 and are for reference only **

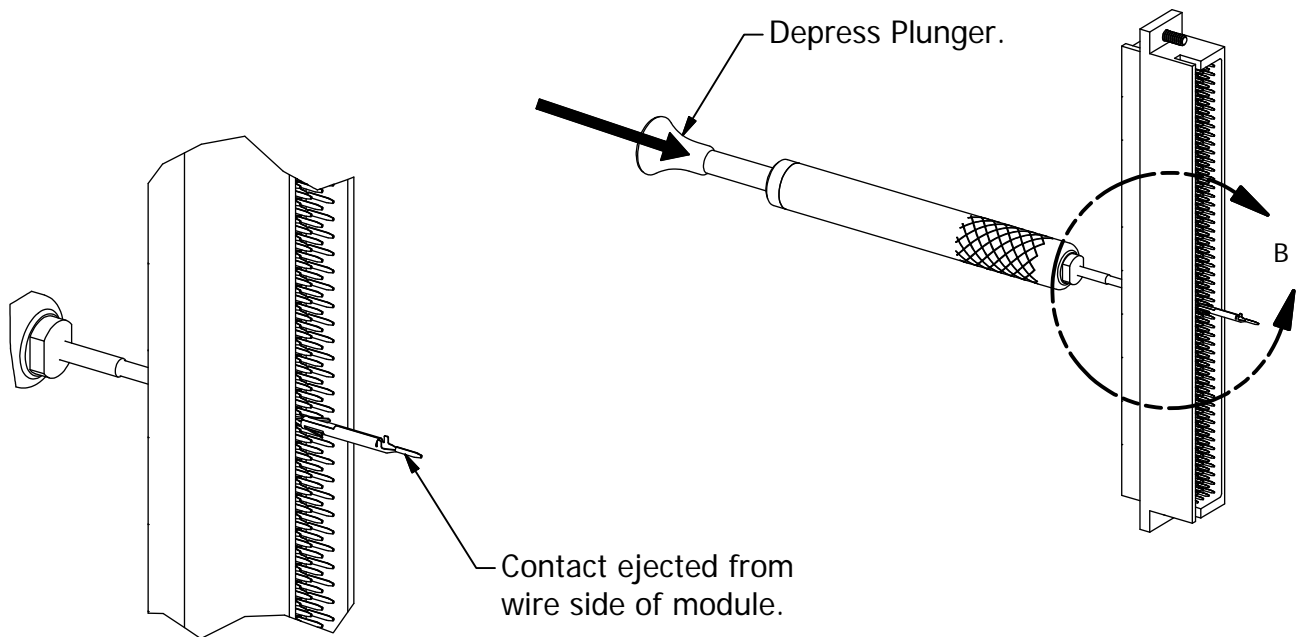


DETAIL A



Step 2) Depress plunger to extract tool.

Whilst keeping the tip of the Extraction tool
in the body of the module, Depress the plunger of the
Extraction tool until the contact is ejected from
the wire side of the module.



DETAIL B