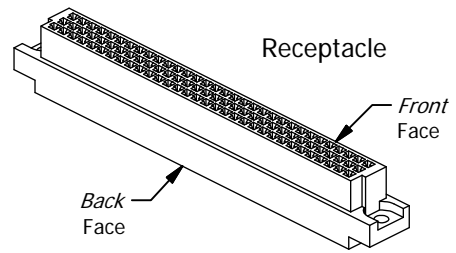
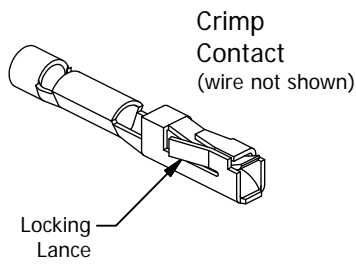
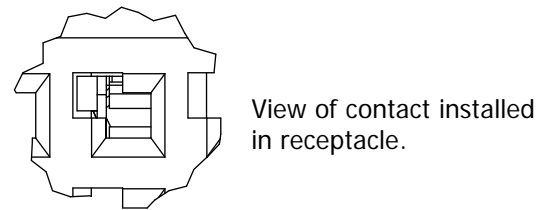
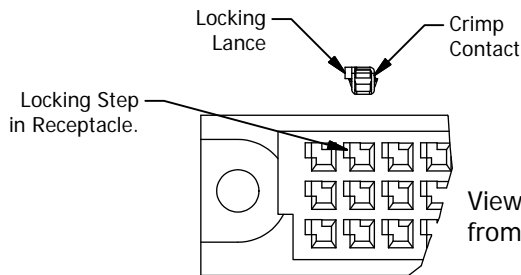


Procedure for removing crimp contacts from contact receptacle.

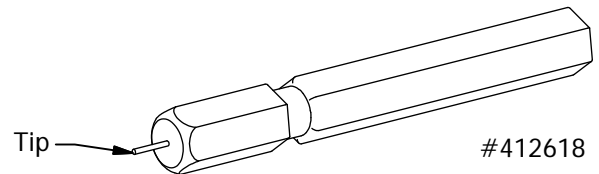


Crimp Contacts should have been installed so the Locking Lance will locate on the Locking Step in the receptacle.

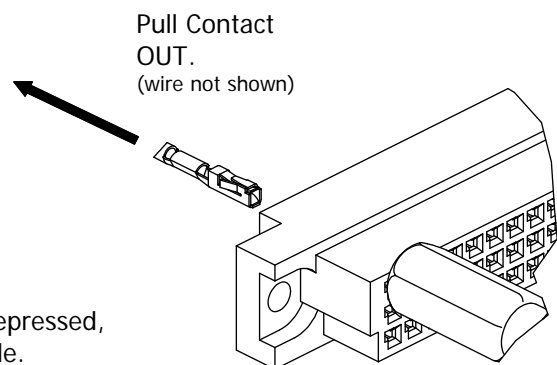
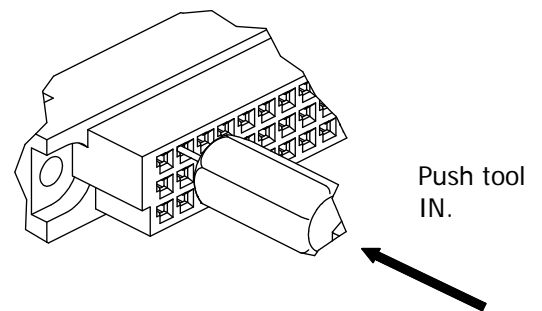
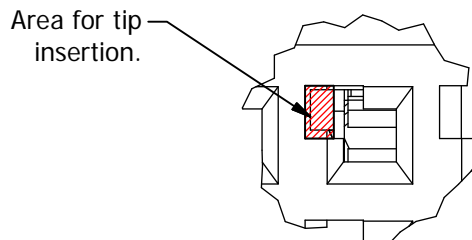


To remove contacts.

Extraction Tool (#412618) should be used.



Insert the tip of the extraction tool into the correct hole between the contact and receptacle body to depress the locking latch against the contact.



Keeping pressure on the extraction tool to keep the locking lance depressed, Gently pull the wire and contact out from the *BACK* of the receptacle.