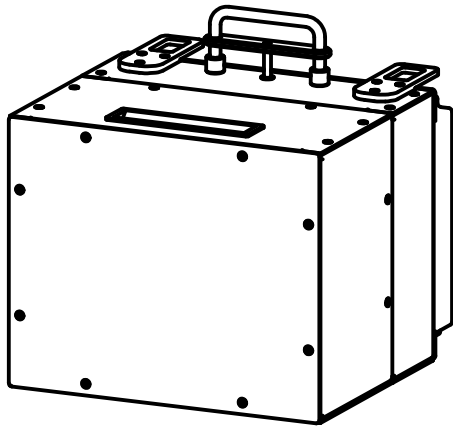
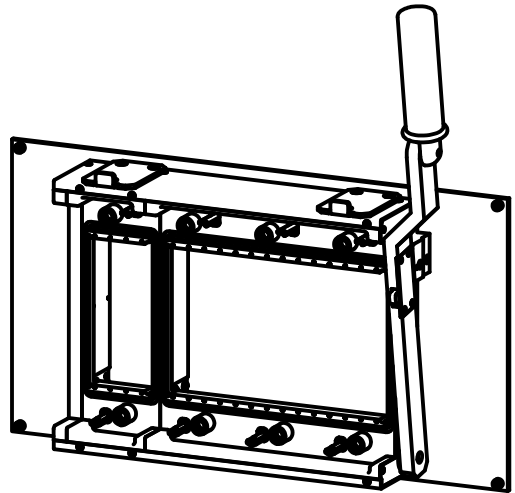


Procedure for mounting a *CTI ITA* into a *CTI Receiver*.

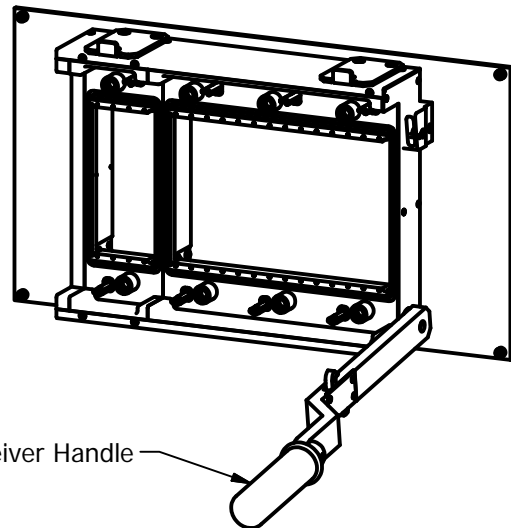


CTI ITA

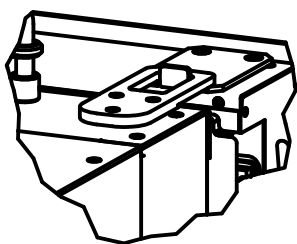


CTI Receiver

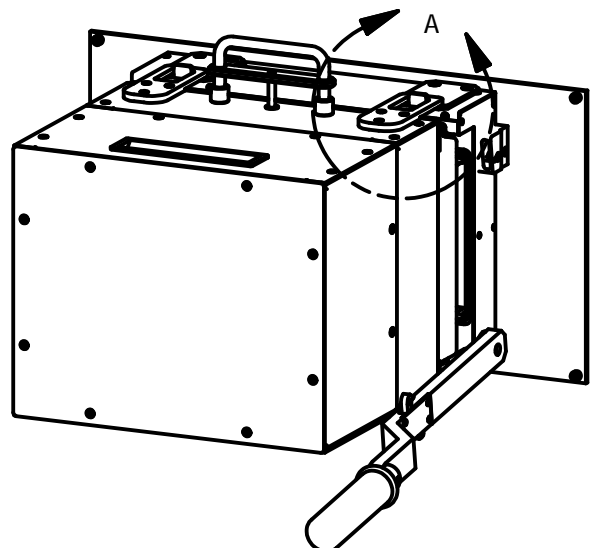
Step 1)
Release and lower Receiver handle



Step 2)
Locate ITA onto Receiver hangers.



DETAIL A
Receiver Hanger

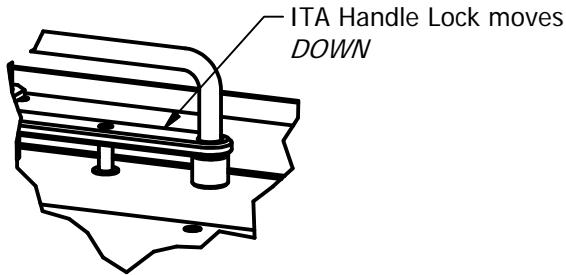


Step 3)

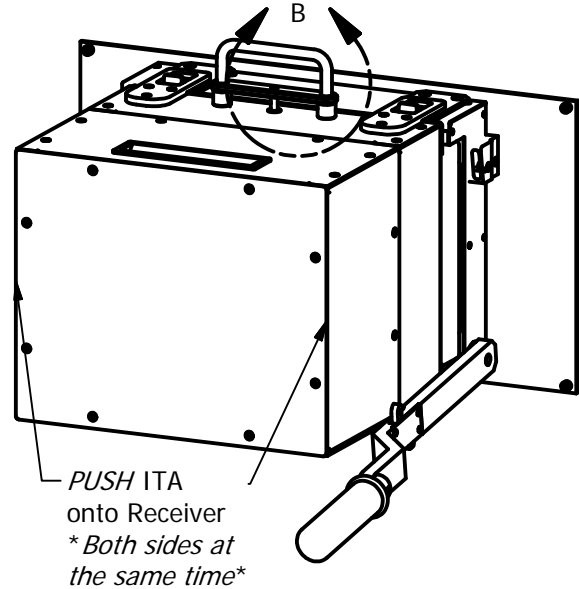
Push ITA assembly onto receiver assembly.

** Push at each end of large ITA's with equal pressure **

When locked into position the handle on the ITA will move downwards.



DETAIL B
ITA Handle locks down

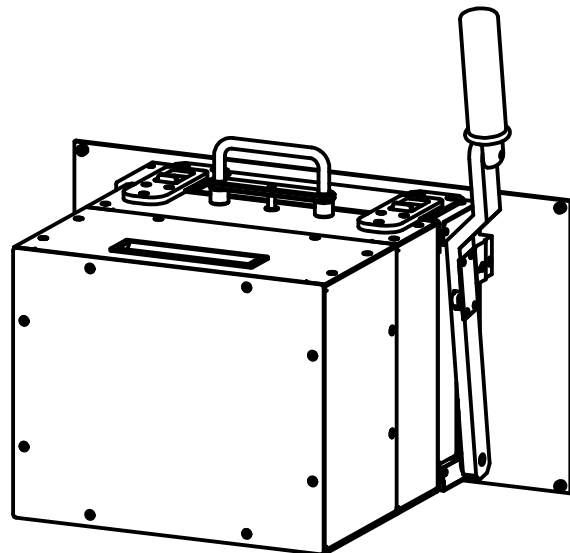


** ITA Handle MUST be in locked position before operating Receiver handle **

Step 4)

Receiver handle can now be engaged.

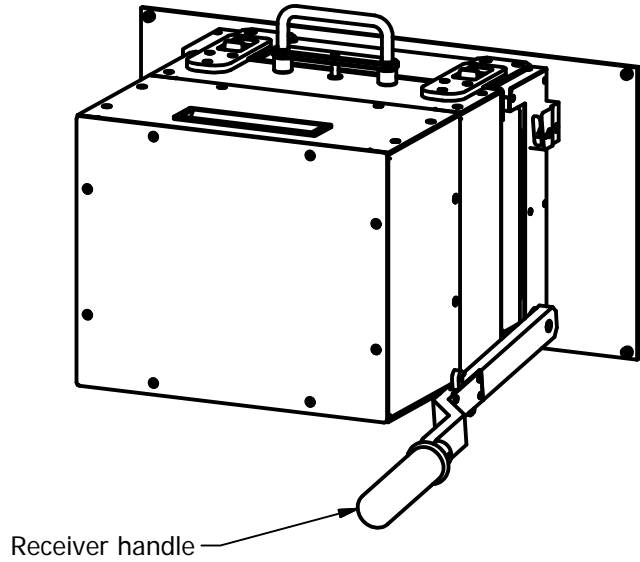
Receiver and ITA are now correctly aligned and secured.



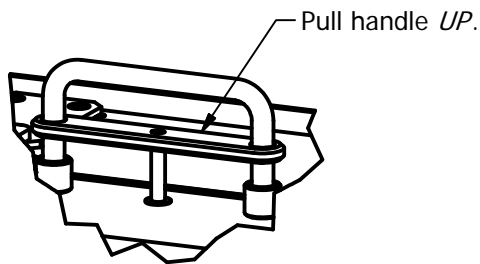
See the following sheet for removal procedure.

To disengage *CTI ITA* from *CTI Receiver*.

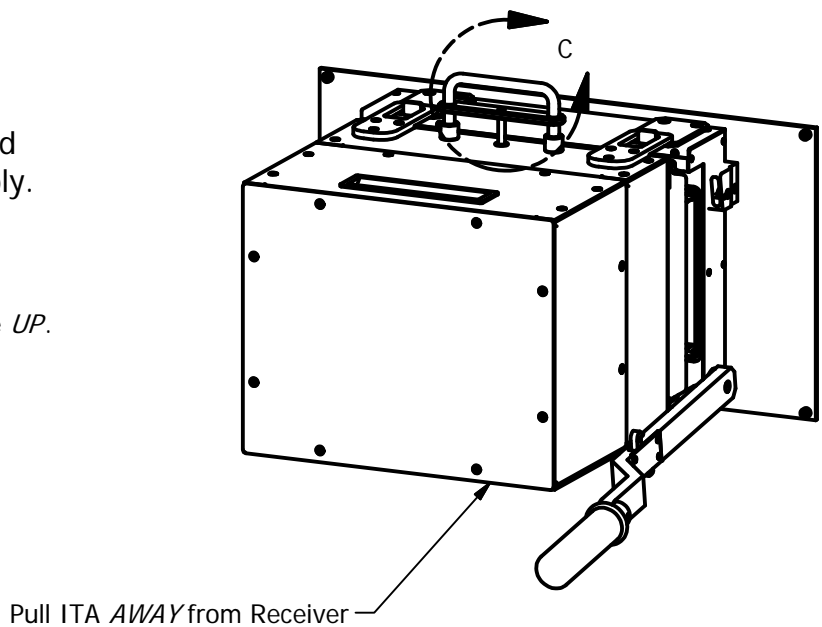
Step 1)
Release and lower Receiver handle.



Step 2)
Pull ITA Handle lock UP.
ITA assembly can now be pulled away from the receiver assembly.



DETAIL C
ITA Handle lock



ITA can now be lifted from receiver hangers and removed.