



*Interconnect Solutions & Services*

*Since 1958*

A large, light gray globe with a grid of latitude and longitude lines is centered in the background of the page.

# SCOUT Receiver Mounting Instructions

**Assembly Document # IN91106**

This document applies to both the SCOUT 21 slot 561000 / NI PXI-1045  
and the SCOUT 11 slot 561057 / NI PXI-1042 mounting procedures.

[www.macpanel.com](http://www.macpanel.com)

**CORPORATE HEADQUARTERS**

551 W. Fairfield Rd.  
High Point, NC 27263  
PH: +1 336.861.3100  
FAX: +1 336.861.6280  
[sales@macpanel.com](mailto:sales@macpanel.com)

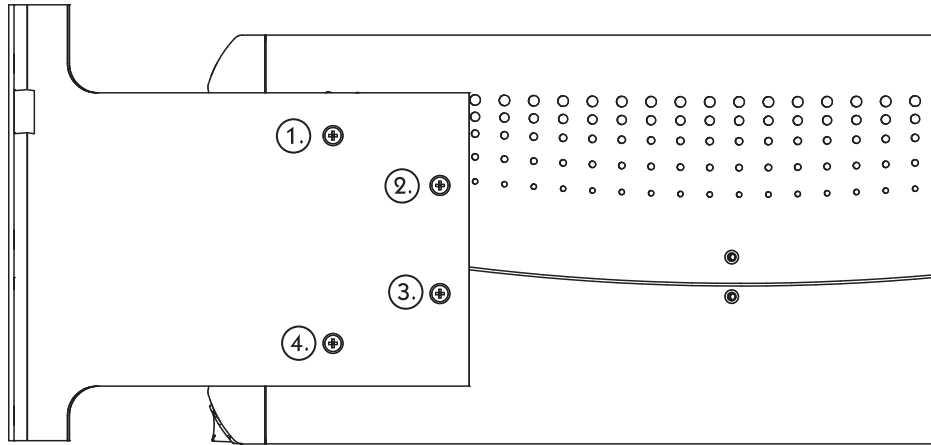
**MAC PANEL LTD. - EUROPE**

Clarence Rd., Bollington  
Macclesfield SK 10 5JZ UK  
PH: +44 (0) 1625.572133  
FAX: +44 (0) 1625.576166  
[salesuk@macpanel.com](mailto:salesuk@macpanel.com)

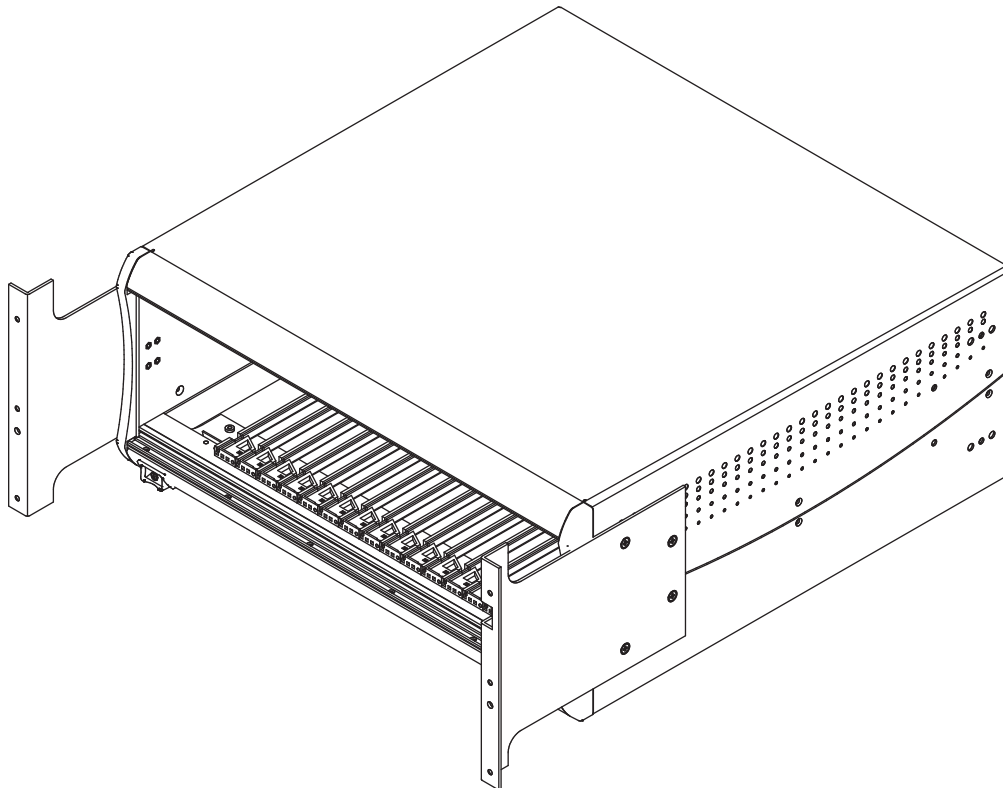
# Tools Required

#2 Phillips Head Screw Driver

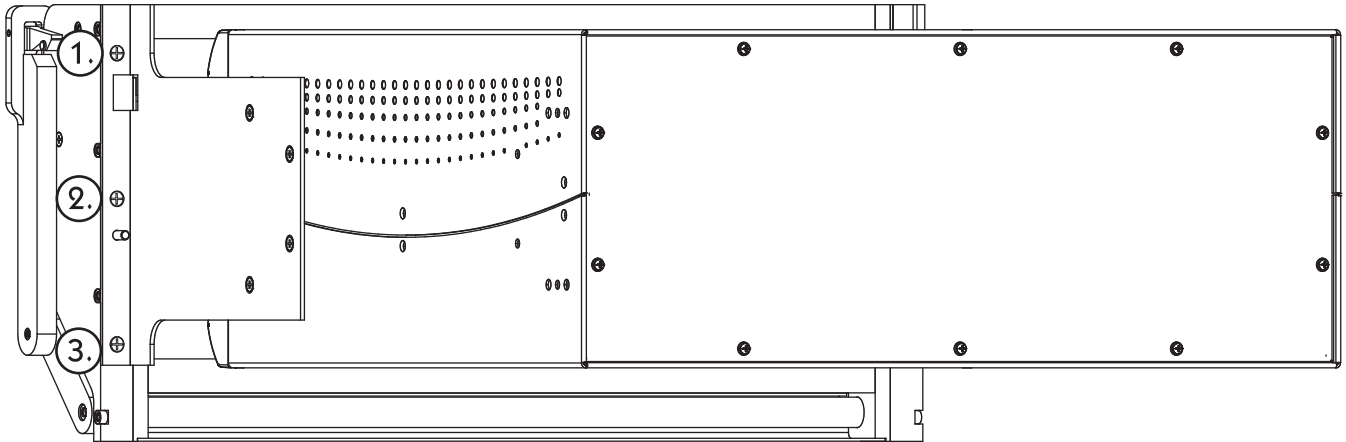
Step 1. Mount right side flange (with notch) to the right side of the empty PXI chassis using M4F85 screws provided with the 561005 flanges. Repeat on left side.



Step 2. Illustration of completed flanges mounted onto PXI chassis. Notice notch for safety switch on right side flange.



Step 3. Attach the SCOUT receiver to the flanges using (3) three each #632F85 screws on each side, supplied with the 561005 flanges.



Step 4. Illustration of completed receiver mounted to flanges.

