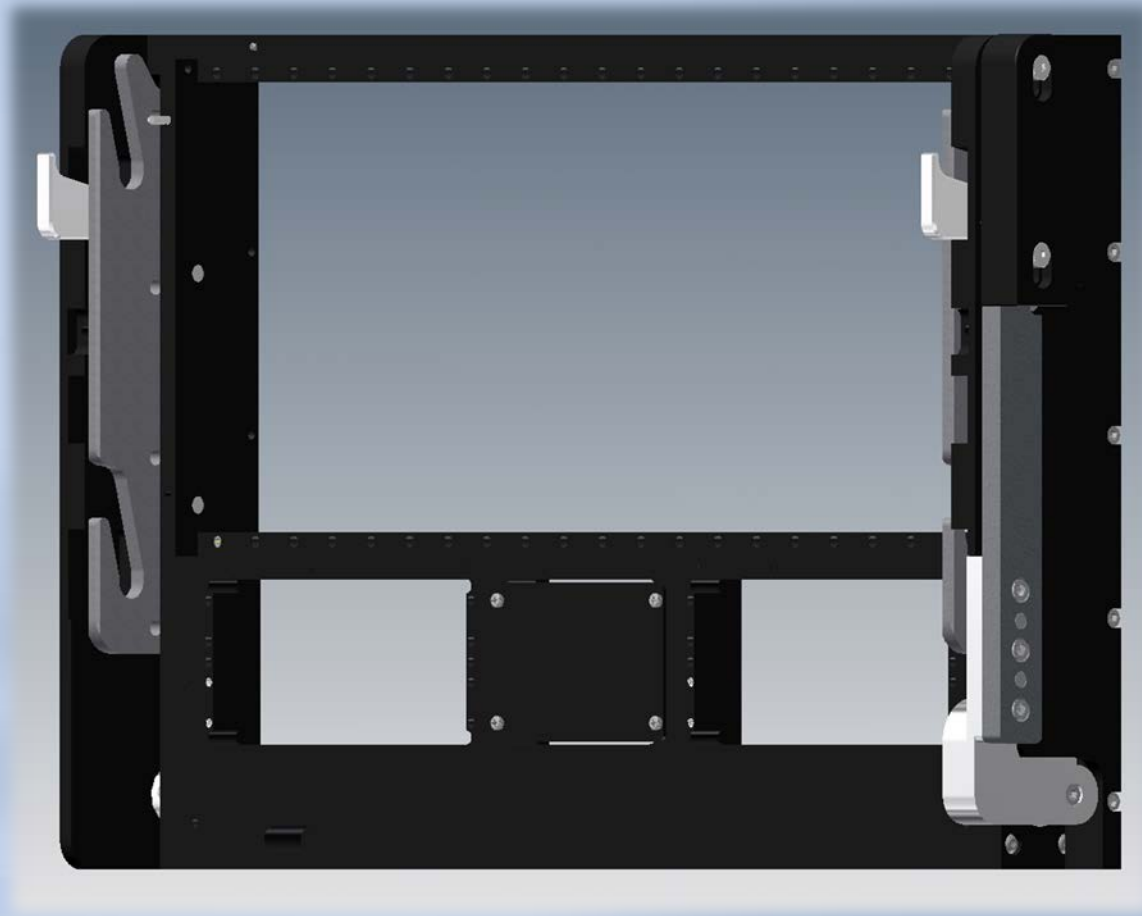




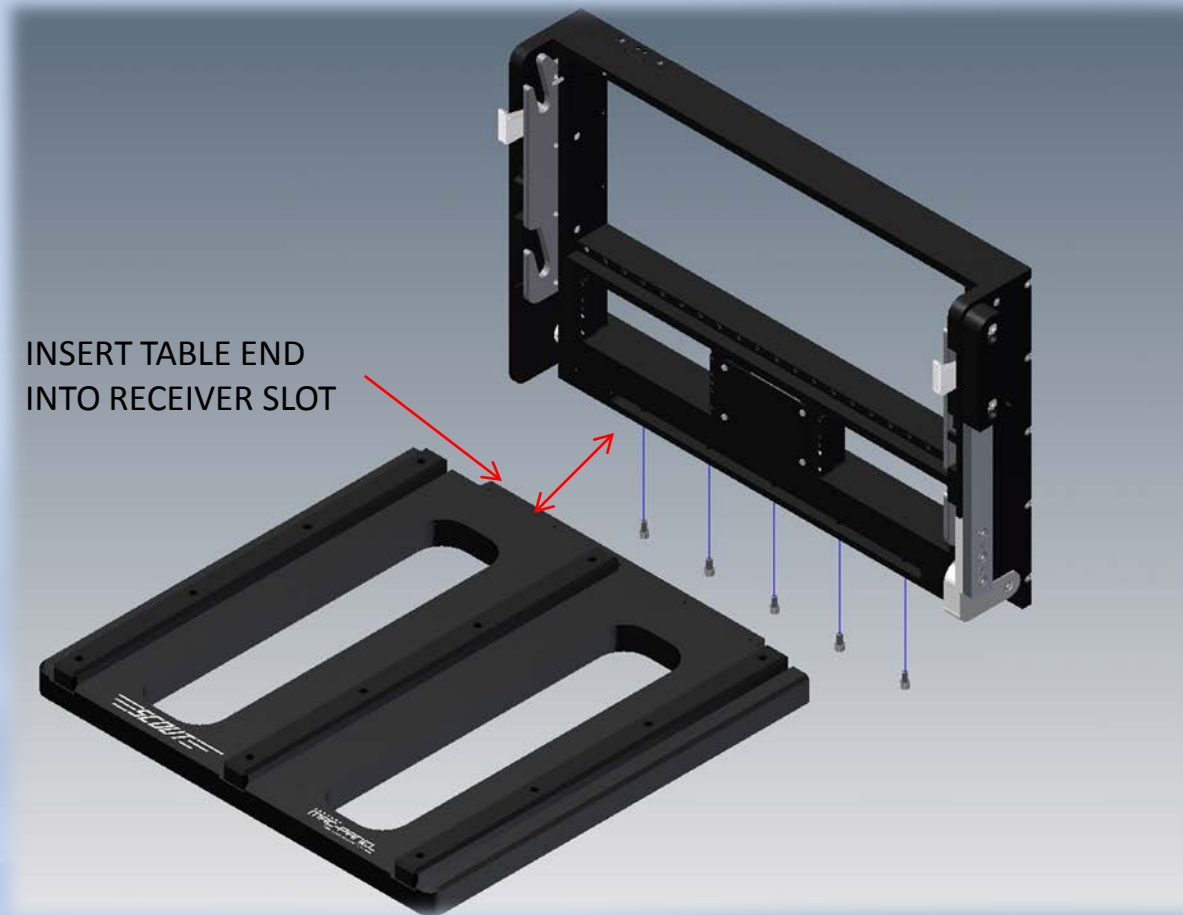
# TABLE INSTALLATION INSTRUCTIONS FOR SCOUT RECEIVERS

# Your New Scout Receiver



Step 1: Insert table in direction shown in red.

Step 2: Use the provided screws to secure table to receiver as shown.



# Your New Receiver With Table Installed

