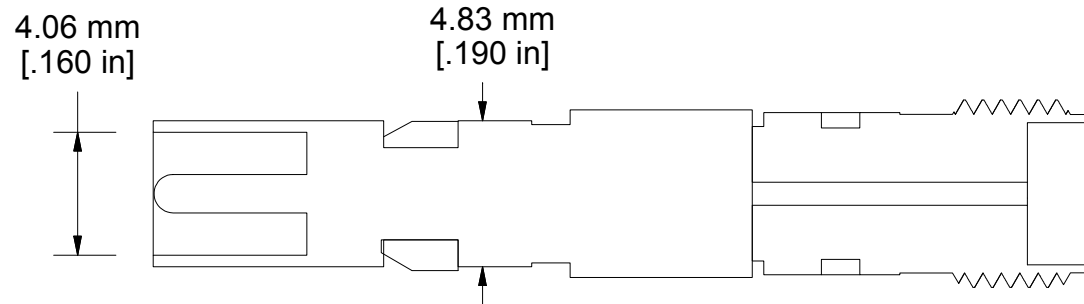
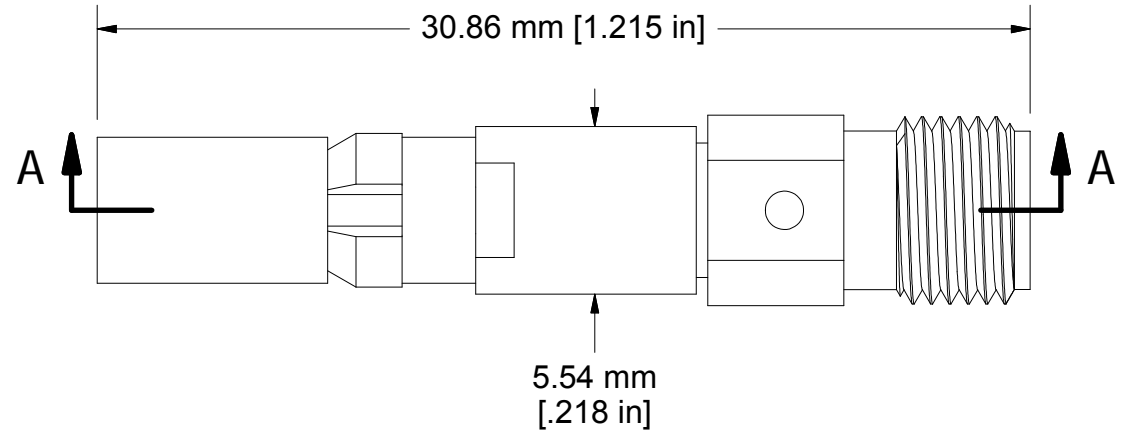
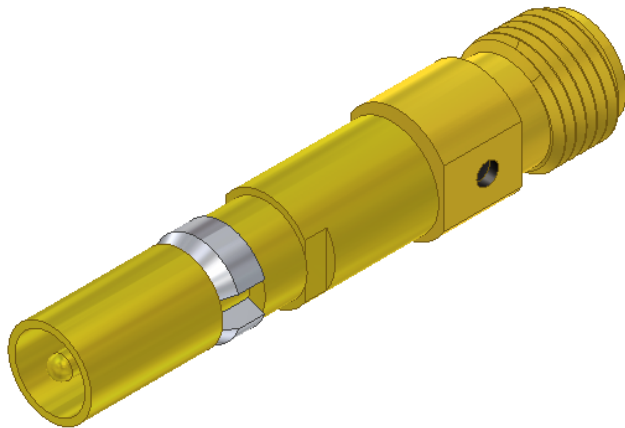


Rated Contact Frequency Range : DC - 18 GHz
Impedance : 50 Ohms
Operating Current : 5 Amps (Continuous)
Dielectric Withstanding Voltage (DWV) : 1000 VDC
Insertion Loss : $.06 \sqrt{f(\text{GHz})}$ dB
Insulation Resistance : 2000 Mohms
VSWR : $1.08 + .009(f)$ GHz
Shield Material : BeCu
Shield Plating : Au (Gold) over Ni (Nickel)
Center Conductor Material : Brass
Center Conductor Plating : Au (Gold) over Ni (Nickel)
Cycle Life : 10,000
Termination : SMA



SECTION A-A



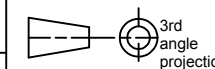
COMMENTS / NOTES

○○○○○○
MAC-PANEL

WWW.MACPANEL.COM

DRAWN BY
DC

DATE
18/09/2008



SHEET
1 OF 1

DESCRIPTION

Contact, Receiver, Hi Freq, DC-18 GHz, SMA

DRAWING NO.

7865100-05-CU

REVISION