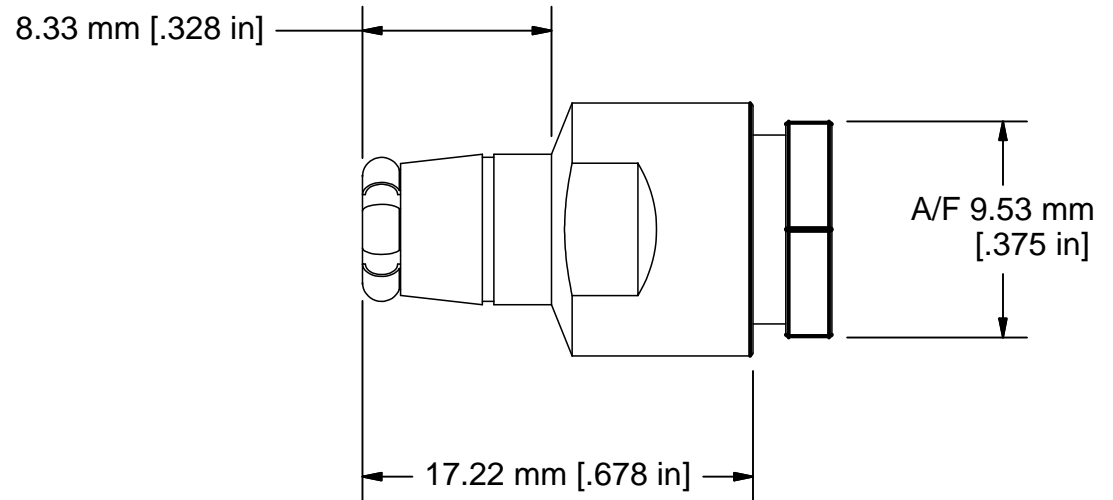
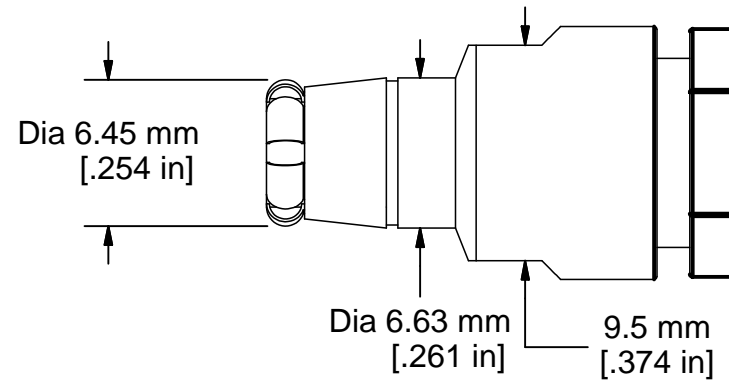


**Rated Contact Frequency Range :** 500 MHz  
**Dielectric Withstanding Voltage (DWV) :** 1500 RMS,  
 (Center Conductor to Inner Conductor, 500 RMS, Inner Conductor to Outer Conductor)  
**Insulation Resistance :** 5000 Mohms  
**Cycle Life :** 500 Min.  
**Wire Type :** M17/176-00002

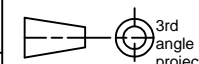


COMMENTS / NOTES

○○○○○○  
**MAC-PANEL**

WWW.MACPANEL.COM

DRAWN BY DATE  
 18/08/2008



SHEET 1 OF 1

DESCRIPTION  
 Contact, Receiver, Twinax / Triax

DRAWING NO. 7864100-01-CU

REVISION