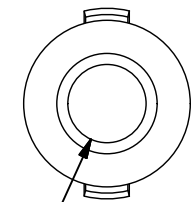
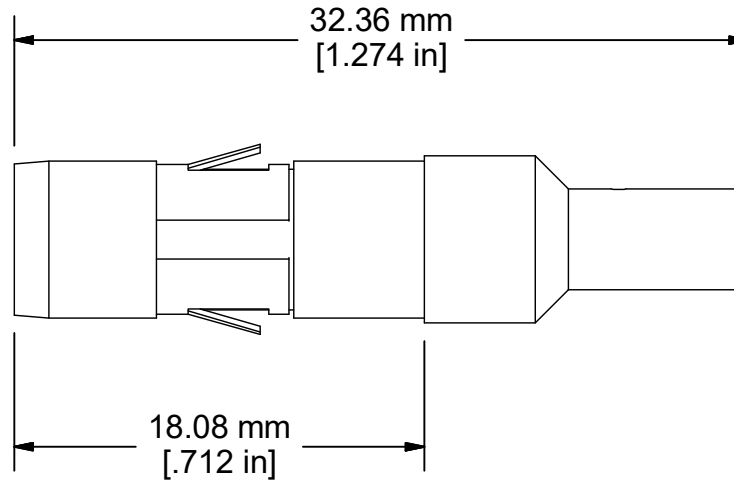


Dia 5.33 mm
[0.210 in]



Dia 3.45 mm
[0.136 in]

Current Max : 30 Amp
Voltage : 250 VAC
Resistance : 6 milliohms
Material : Brass Alloy
Plating : Au (Gold) over Ni (Nickel)
Cycle life : 50,000
Max Wire (AWG) : 12
Termination : Solder

COMMENTS / NOTES



WWW.MACPANEL.COM

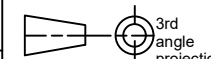
DRAWN BY

DATE

09/06/2010

DESCRIPTION

Contact, ITA, Power, 30 Amp,
Accepts 12 AWG Max.



3rd
angle
projection

DRAWING NO.

7851211-CU

REVISION

W

SHEET

1 OF 1