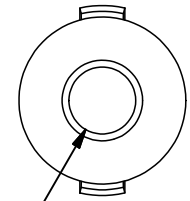
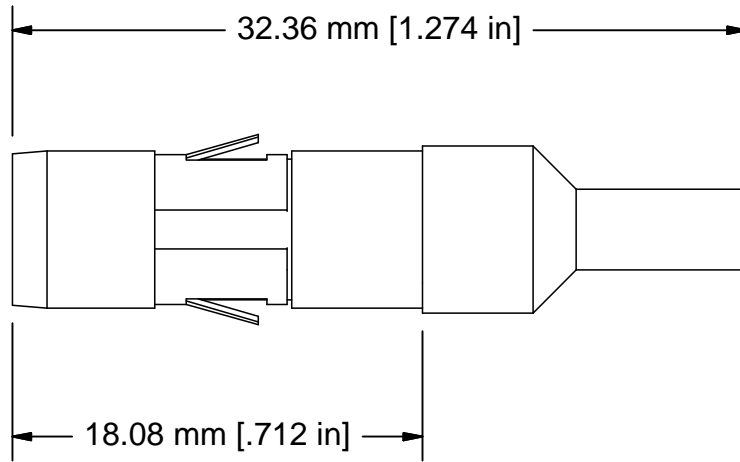
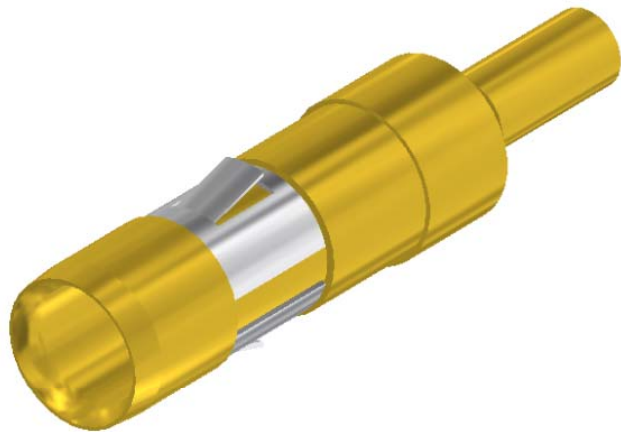


Dia 2.95 mm
[0.210 in]



Dia 2.95 mm
[0.116 in]



Current : 30 Amp
Voltage : 250V AC
Resistance : 6 milliohms
Material : 360 Brass Alloy
Plating : Au (Gold) over Ni (Nickel)
Cycle Life : 50,000 cycles
Termination : Solder
Wire Size : 16 AWG Max

COMMENTS / NOTES

MAC-PANEL

WWW.MACPANEL.COM

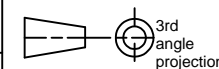
DRAWN BY

DATE

09/06/2010

DESCRIPTION

Contact, ITA, Power, 30 Amp,
Accepts 16 AWG Max.



3rd
angle
projection

DRAWING NO.

7851211-5-CU

REVISION

W

SHEET

1 OF 1