

COMMENTS / NOTES

MAC-PANEL

WWW.MACPANEL.COM

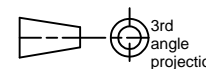
DRAWN BY

DATE

27/03/2012

DESCRIPTION

S/64 ITA, 50 slot, Dual Tier.



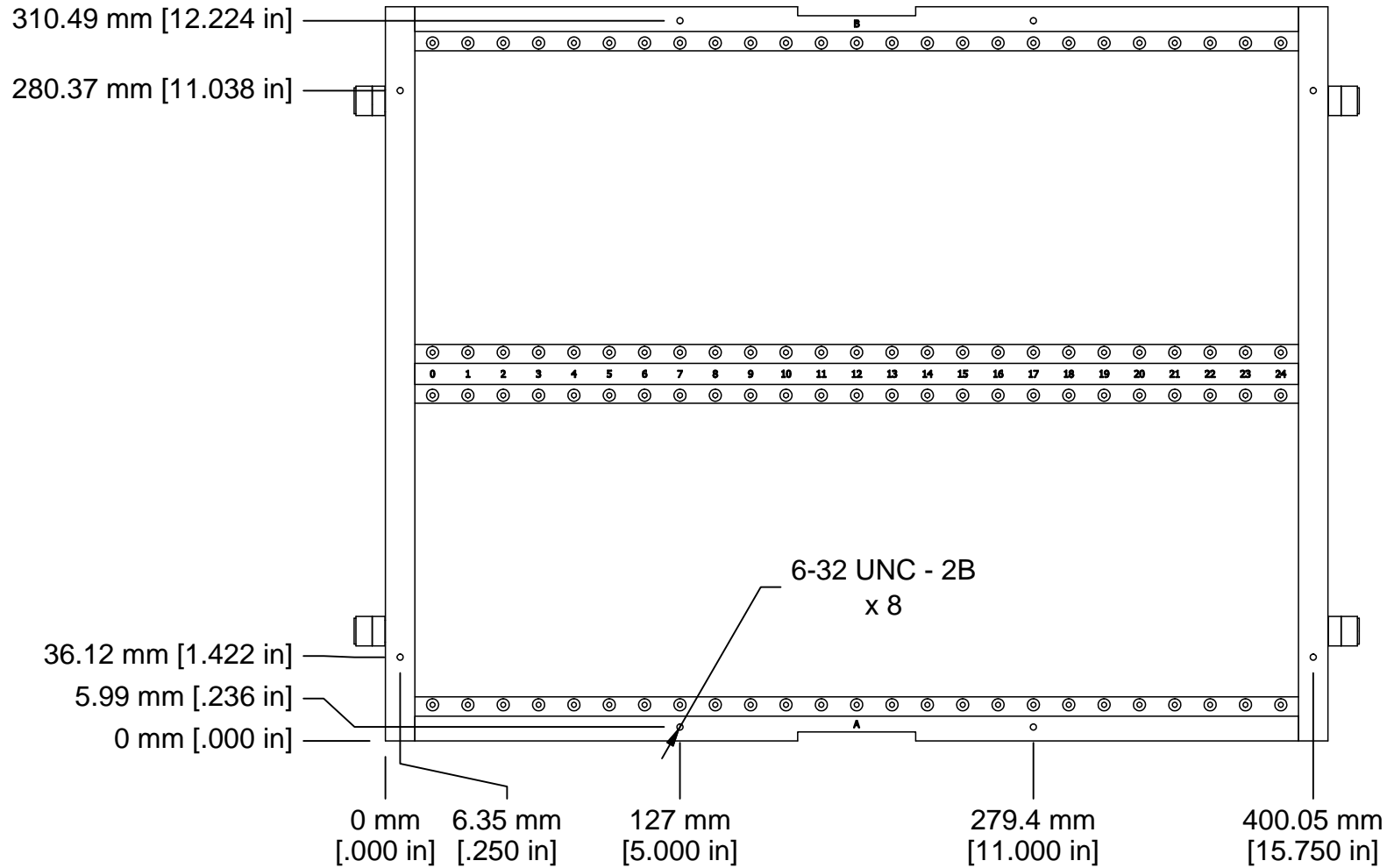
DRAWING NO.

70206450-CU

REVISION

SHEET

1 OF 3



COMMENTS / NOTES

Enclosure mounting hole positions.



WWW.MACPANEL.COM

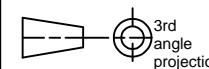
DRAWN BY

DATE

27/03/2012

DESCRIPTION

S/64 ITA, 50 slot, Dual Tier.



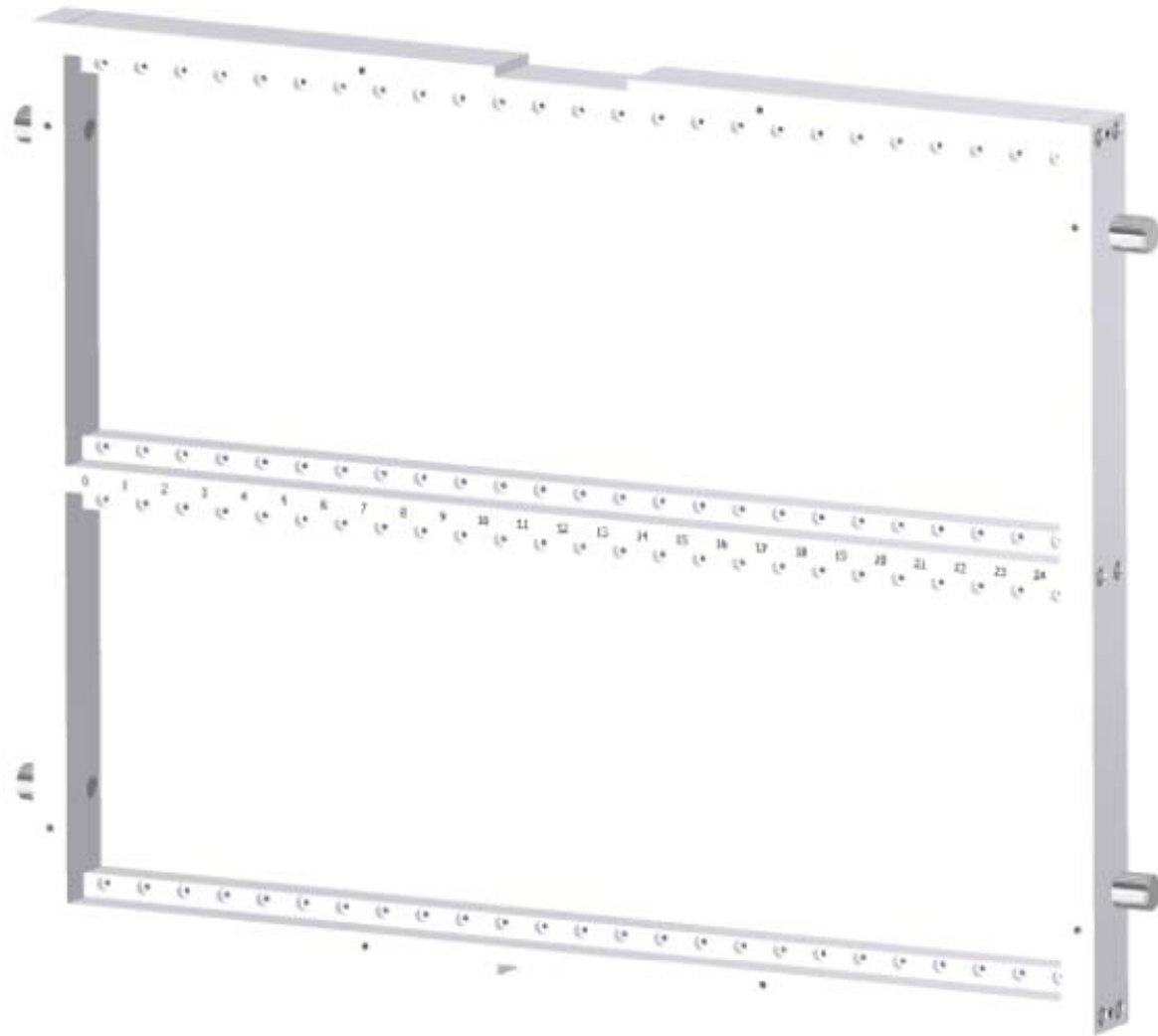
DRAWING NO.

70206450-CU

REVISION

SHEET

2 OF 3



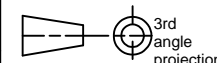
COMMENTS / NOTES



WWW.MACPANEL.COM

DRAWN BY

DATE
27/03/2012



SHEET
3 OF 3

DESCRIPTION

S/64 ITA, 50 slot, Dual Tier.

DRAWING NO.

-CU

REVISION