

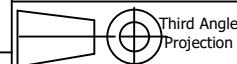
COMMENTS / NOTES

MACPANEL

WWW.MACPANEL.COM

DRAWN BY
DBCooper

DATE
15/09/2017



SHEET
1 OF 2

DESCRIPTION

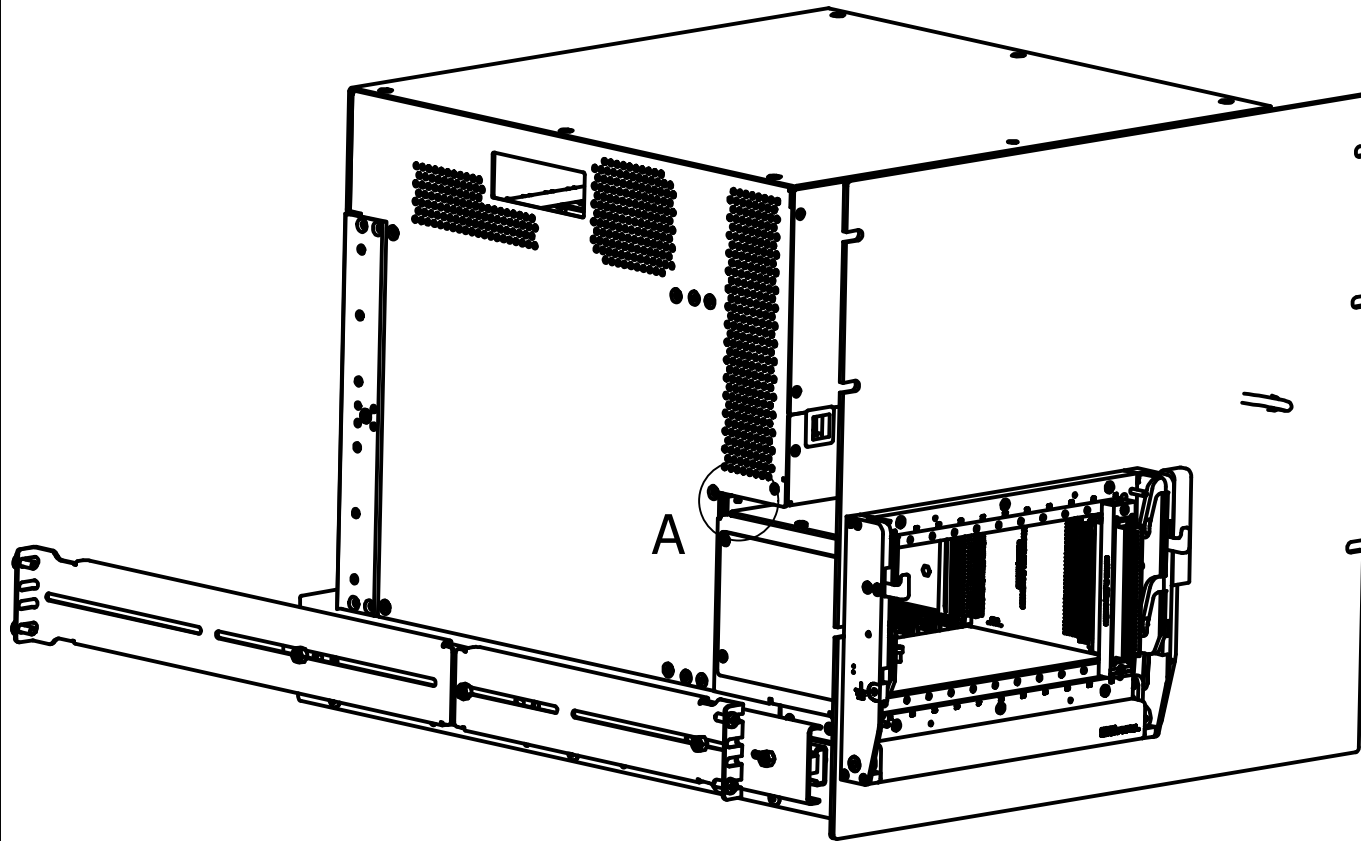
Mounting adapter, SCOUT Express,
for Slide Shelf

DRAWING NO.

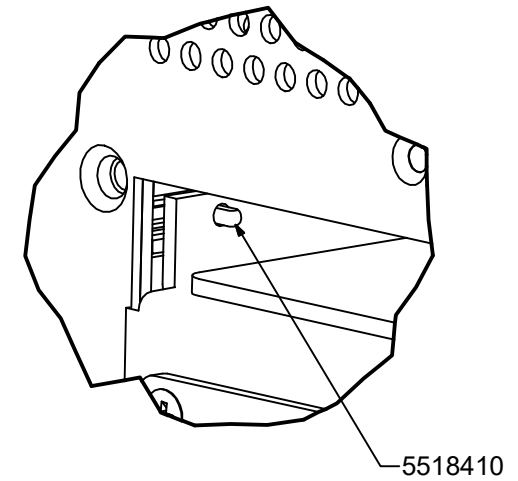
565310-CU

REVISION

A



5518410
INSTALL WHERE SHOWN



COMMENTS / NOTES

Tools Required for assembly.
 Phillips Screwdriver No2 (for 1032G#5)
 Phillips Screwdriver No1 (for M2.5C#5)
 Hex Key 7/64 (for 632D44 & 632K45)
 Pliers Small (for 5518410)

MACPANEL

WWW.MACPANEL.COM

DRAWN BY
DBCooper

DATE
15/09/2017



Third Angle
Projection

DESCRIPTION

Mounting adapter, SCOUT Express,
for Slide Shelf

SHEET
2 OF 2

DRAWING NO.

Test fit Assy-CU

REVISION

A