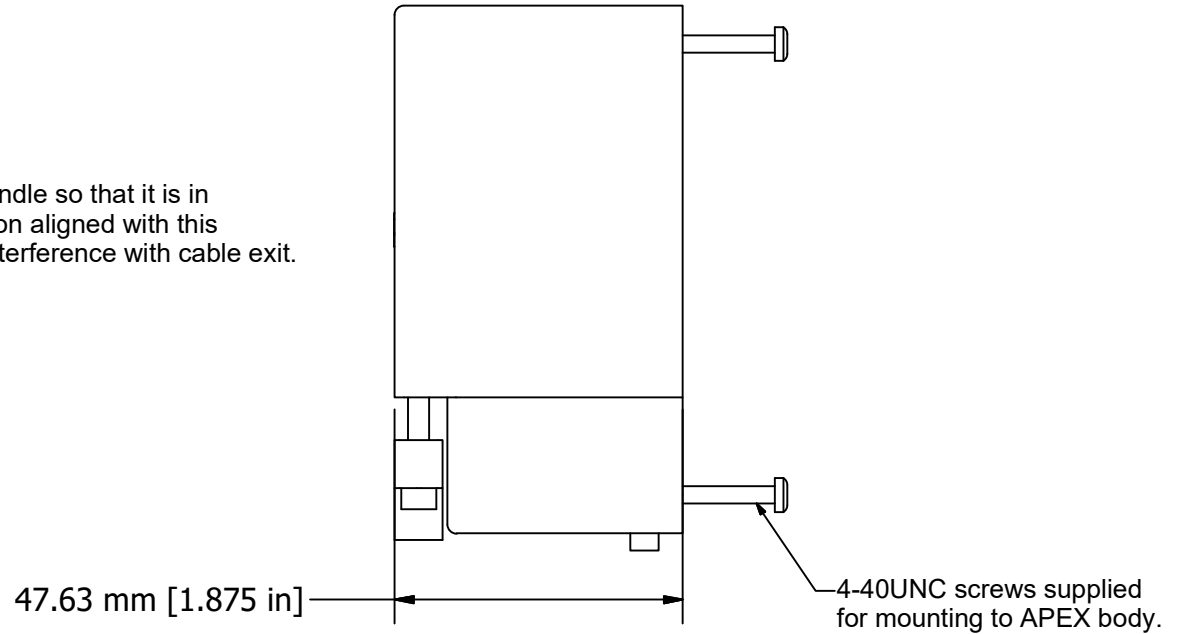
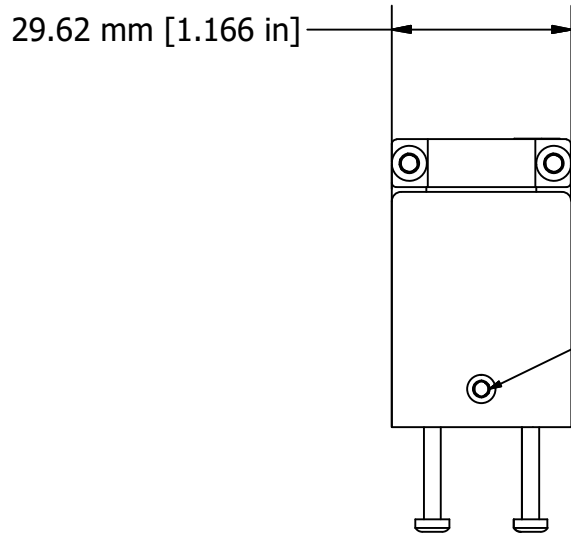


Orientate the Handle so that it is in the closed position aligned with this arrow to avoid interference with cable exit.



COMMENTS / NOTES
Supplied with mounting screws.

MAC-PANEL

WWW.MACPANEL.COM

DRAWN BY
davecooper

DATE
05/01/2018

DESCRIPTION

APEX, Backshell, 96 Position,
Straight



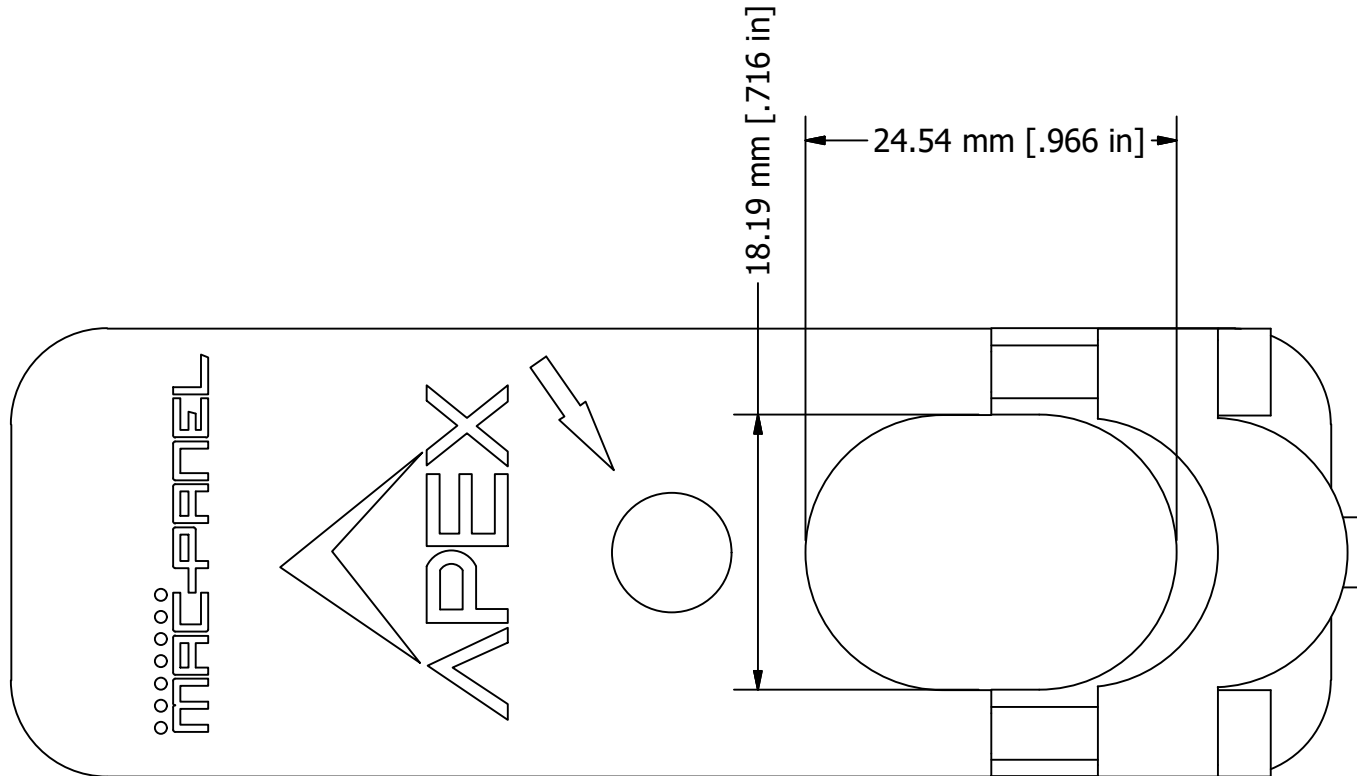
DRAWING NO.

564257-CU

REVISION

A

SHEET
1 OF 2



COMMENTS / NOTES

View to show cable exit dimensions.



WWW.MACPANEL.COM

DRAWN BY
davecooper

DATE
05/01/2018



Third Angle
Projection

DESCRIPTION

APEX, Backshell, 96 Position,
Straight

DRAWING NO.

564257-CU

REVISION

A

SHEET
2 OF 2