

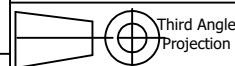
COMMENTS / NOTES
Overall View

MACPANEL

WWW.MACPANEL.COM

DRAWN BY
davec

DATE
01/03/2017



DESCRIPTION

APEX, Plug, 96 position, Crimp

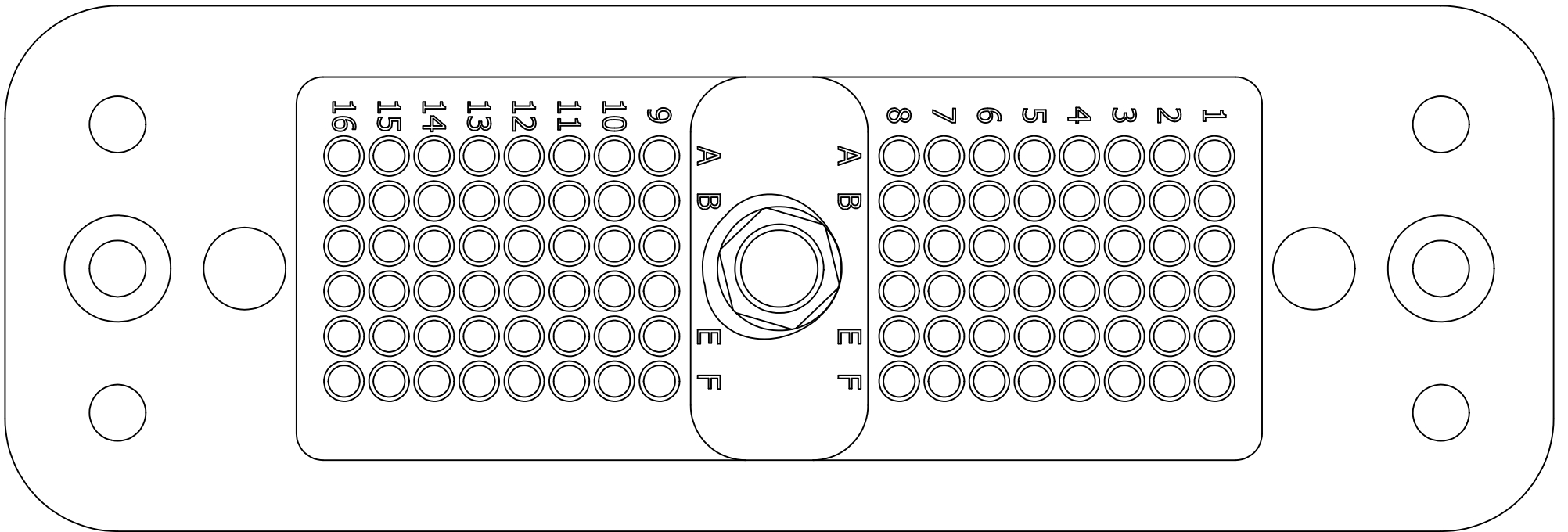
SHEET
1 OF 4

DRAWING NO.

564255-CU

REVISION

C



COMMENTS / NOTES

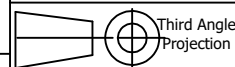
View to show numbering
Handle removed for clarity.



WWW.MACPANEL.COM

DRAWN BY
davec

DATE
01/03/2017



SHEET
2 OF 4

DESCRIPTION

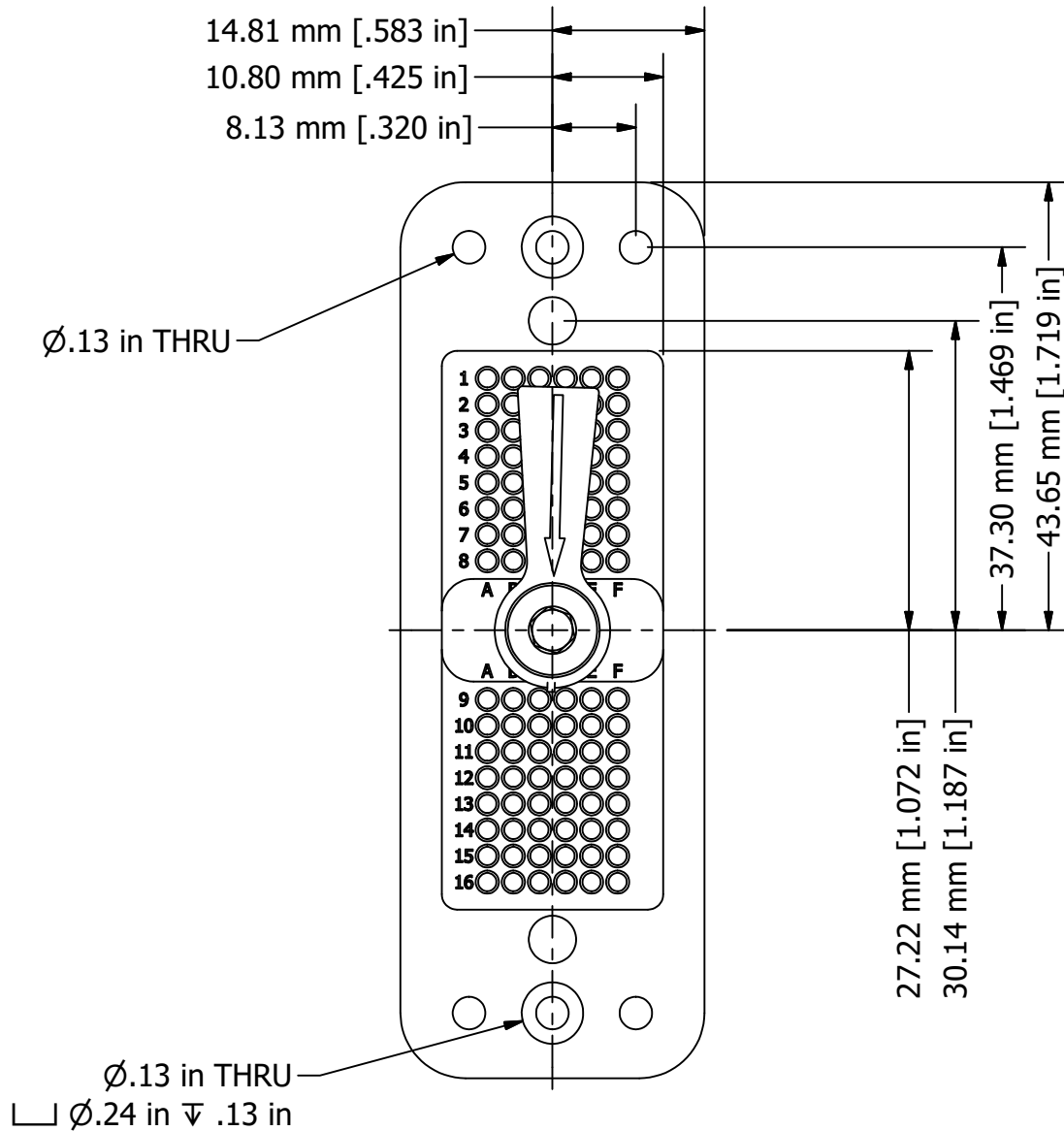
APEX, Plug, 96 position, Crimp

DRAWING NO.

564255-CU

REVISION

C



COMMENTS / NOTES

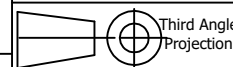
Mating backshell information.



WWW.MACPANEL.COM

DRAWN BY
davec

DATE
01/03/2017



SHEET
3 OF 4

DESCRIPTION

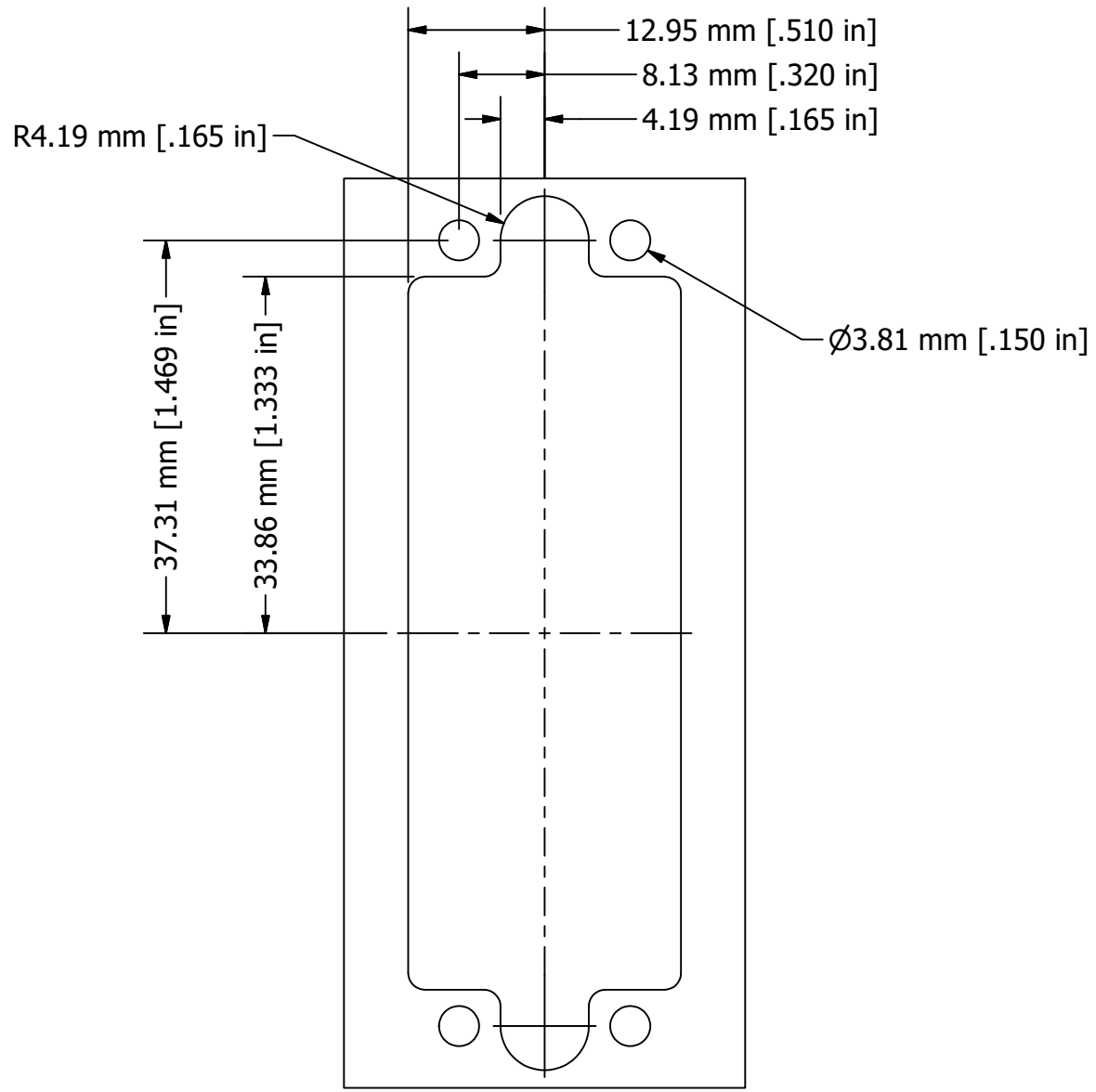
APEX, Plug, 96 position, Crimp

DRAWING NO.

564255-CU

REVISION

C



COMMENTS / NOTES

96 Position Cut out

MAC-PANEL

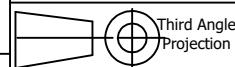
WWW.MACPANEL.COM

DRAWN BY
davec

DATE
01/03/2017

DESCRIPTION

APEX, Plug, 96 position, Crimp



DRAWING NO.

APEX-96-Cutout

REVISION

C

SHEET
4 OF 4