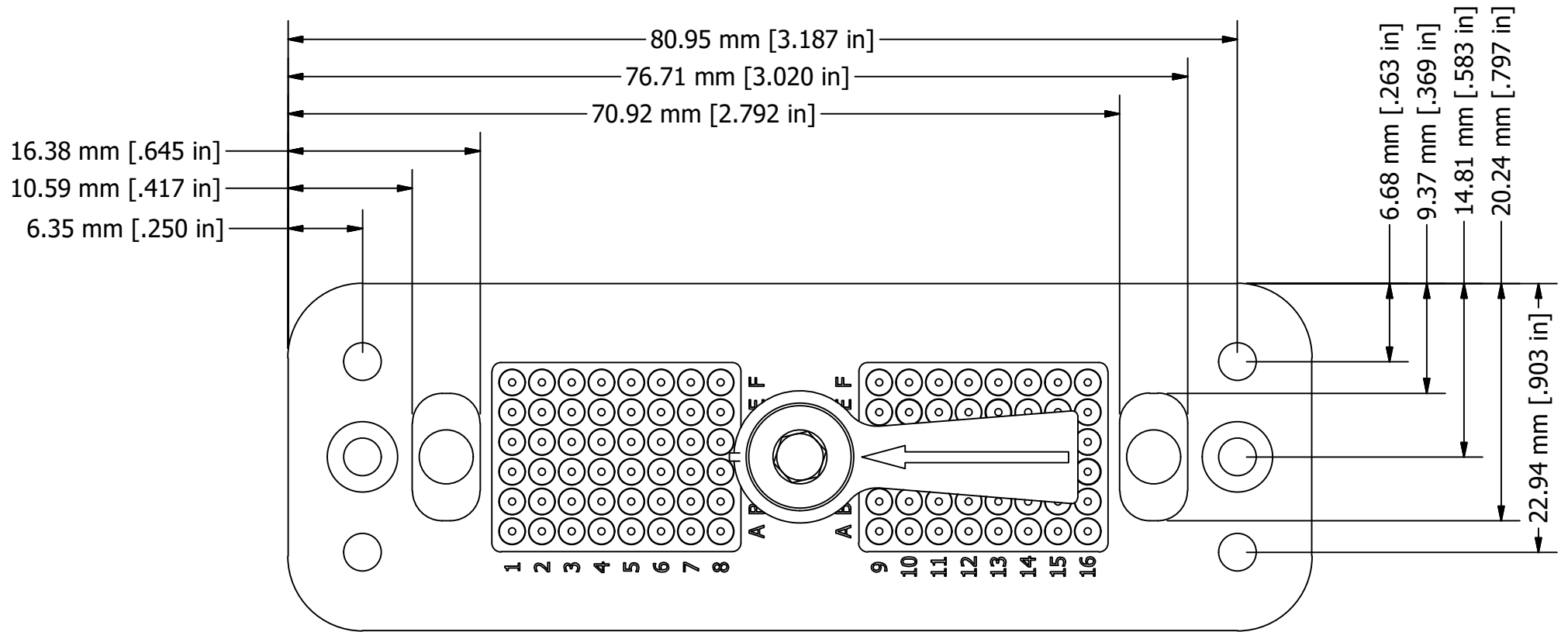


COMMENTS / NOTES Overall View	 WWW.MACPANEL.COM	DRAWN BY DBCooper	DATE 12/09/2016	DESCRIPTION APEX, Plug, 96 Position, PCB	
		 Third Angle Projection		DRAWING NO. 564253-CU	REVISION B
SHEET 1 OF 4					



COMMENTS / NOTES

View to show Numbering of contact positions from back of APEX module, Also dimensions of mounting holes.

MACPANEL

WWW.MACPANEL.COM

DRAWN BY  
DBC Cooper

DATE  
12/09/2016



DESCRIPTION

APEX, Plug, 96 Position, PCB

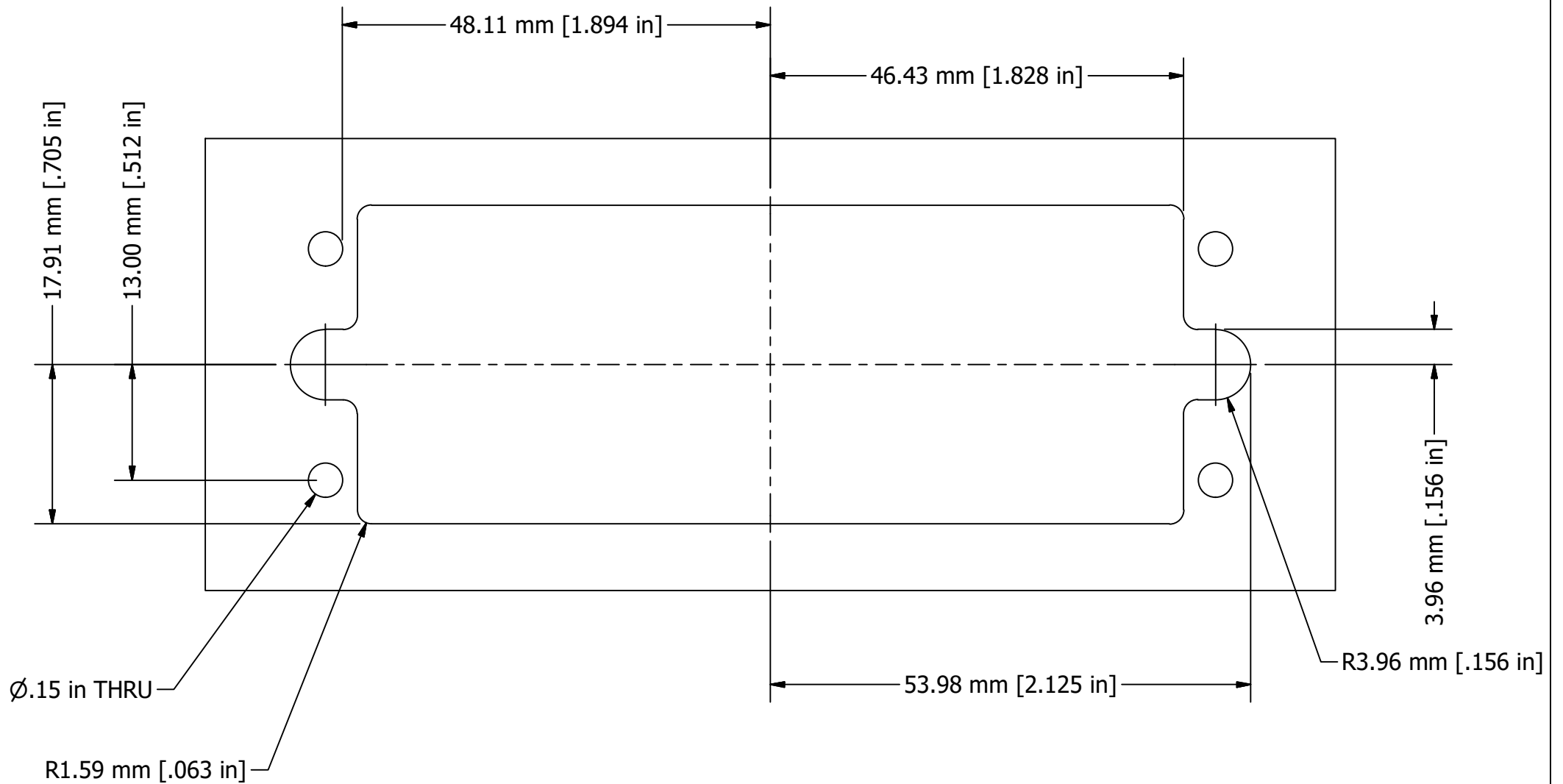
SHEET  
2 OF 4

DRAWING NO.

564253-CU

REVISION

B



COMMENTS / NOTES

Suggested cut out to suit APEX 96 mounting in a plate.



WWW.MACPANEL.COM

DRAWN BY  
DBC Cooper

DATE  
12/09/2016

DESCRIPTION

APEX, Plug, 96 Position, PCB



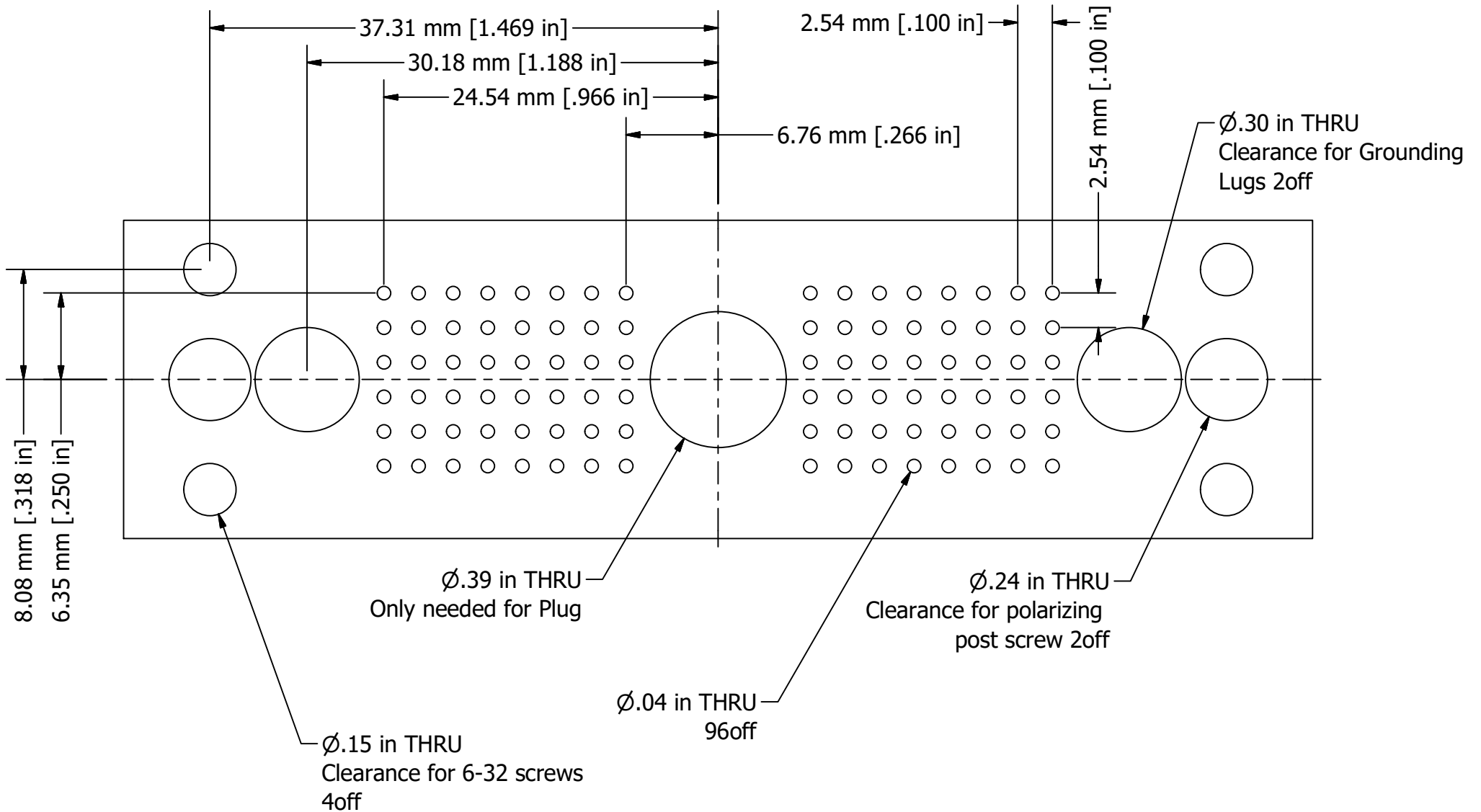
SHEET  
3 OF 4

DRAWING NO.

APEX-LIF-96-Cutout

REVISION

B



COMMENTS / NOTES  
Hole Layout for PCB holes.

MACPANEL

WWW.MACPANEL.COM

DRAWN BY  
DBC Cooper

DATE  
12/09/2016

DESCRIPTION

APEX, Plug, 96 Position, PCB



Third Angle  
Projection

DRAWING NO.

APEX\_96\_PCB

REVISION

B

SHEET  
4 OF 4