

COMMENTS / NOTES

Overall View

MAC-PANEL

WWW.MACPANEL.COM

DRAWN BY  
DBCooper

DATE  
27/04/2017



SHEET  
1 OF 3

DESCRIPTION

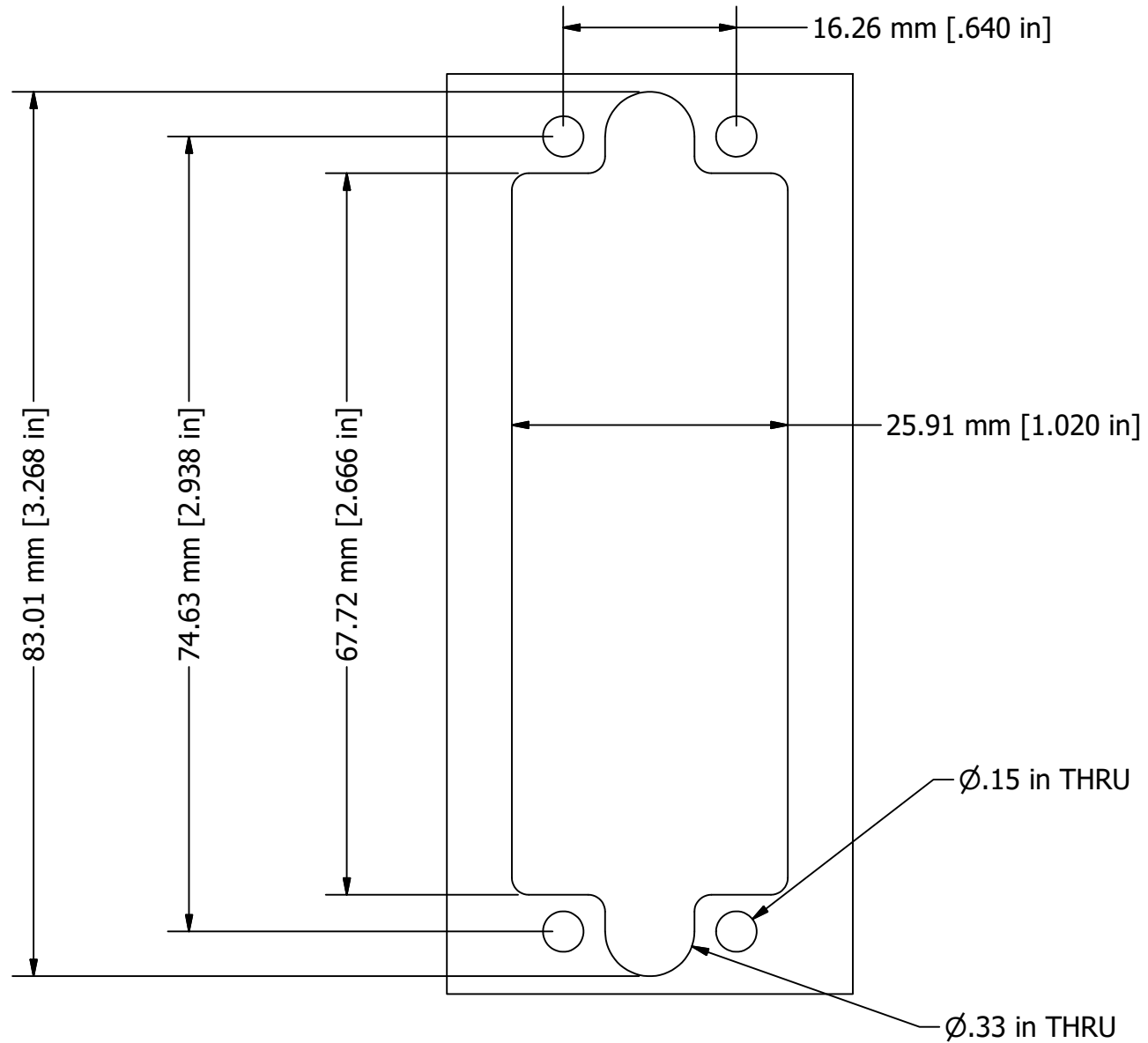
APEX, Socket, 96 Position, PCB

DRAWING NO.

564252-CU

REVISION

B



COMMENTS / NOTES

Suggested cut out to suit APEX 96 mounting in a plate.



WWW.MACPANEL.COM

DRAWN BY  
DBCooper

DATE  
27/04/2017

DESCRIPTION

APEX, Socket, 96 Position, PCB



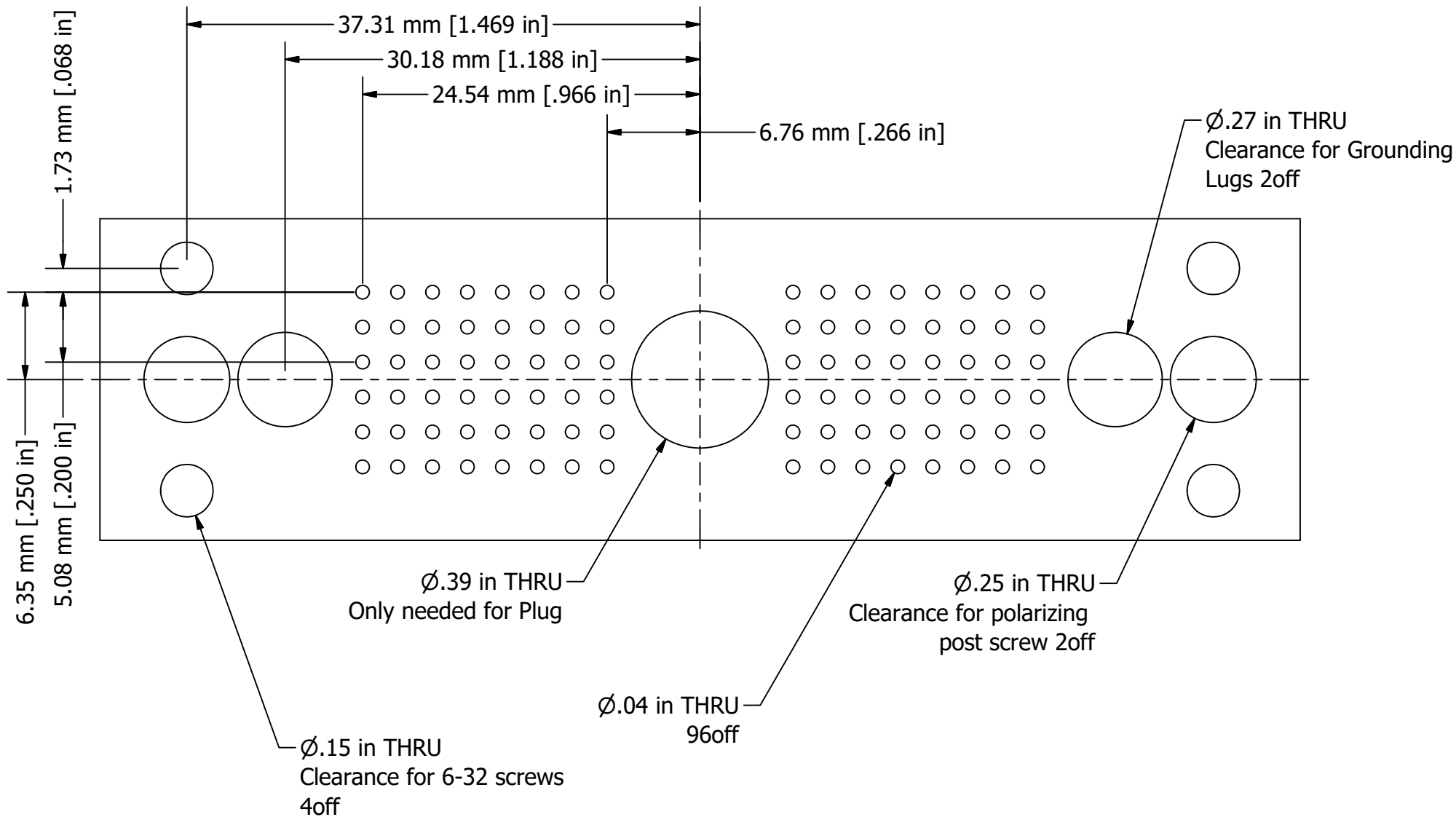
SHEET  
2 OF 3

DRAWING NO.

APEX-96-Cutout

REVISION

B



COMMENTS / NOTES  
Hole Layout for PCB holes.

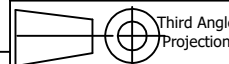
MACPANEL

WWW.MACPANEL.COM

DRAWN BY  
DBC Cooper

DATE  
27/04/2017

DESCRIPTION  
APEX, Socket, 96 Position, PCB



DRAWING NO.  
APEX\_96\_PCB

REVISION  
B

SHEET  
3 OF 3