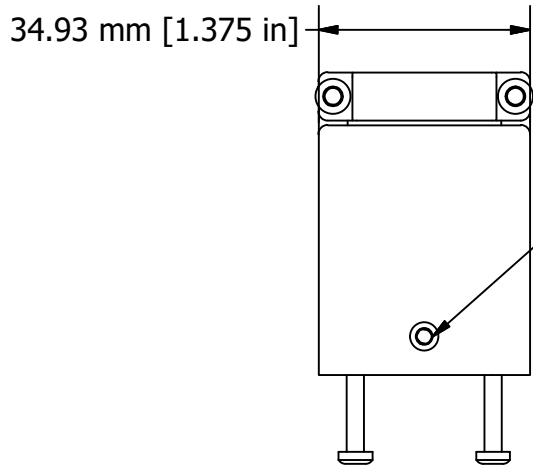
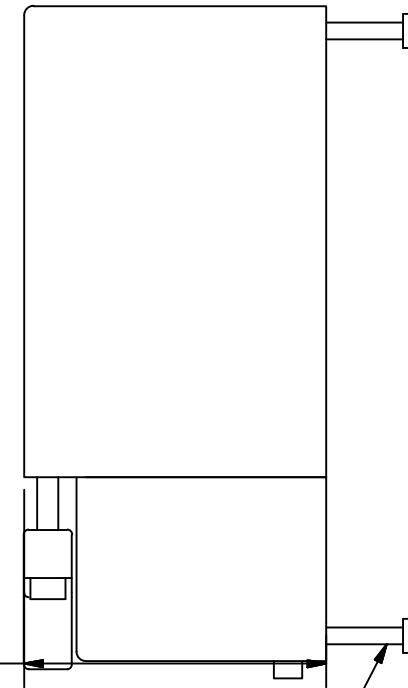


Orientate the Handle so that it is in the closed position aligned with this arrow to avoid interference with cable exit



49.96 mm [1.967 in]



COMMENTS / NOTES
Supplied with mounting screws.

MAC-PANEL

WWW.MACPANEL.COM

DRAWN BY
davecooper

DATE
05/01/2018

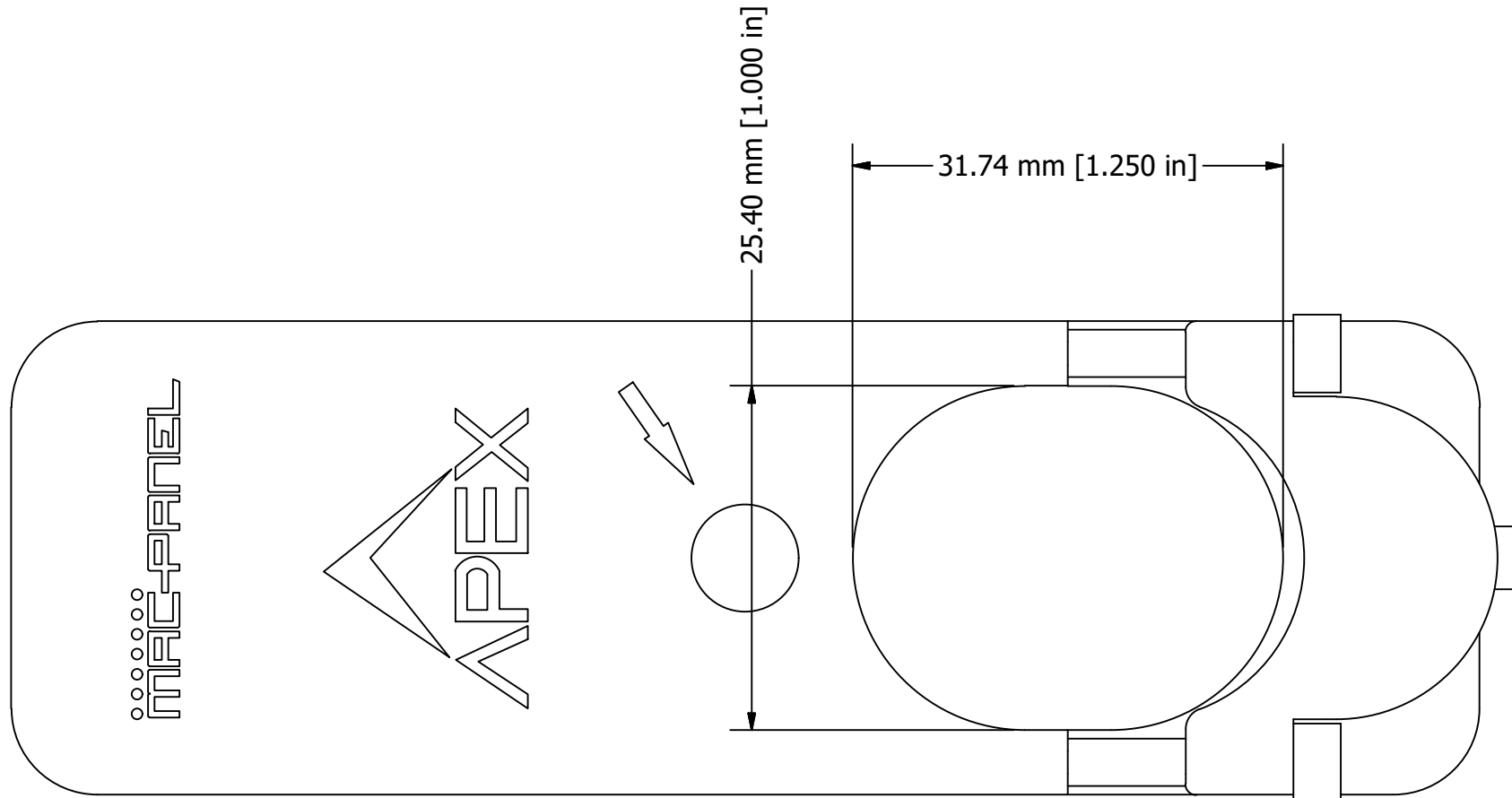


DESCRIPTION
APEX, Backshell, 216 Position and Hybrid, Straight

SHEET
1 OF 2

DRAWING NO.
564220-CU

REVISION
B



COMMENTS / NOTES

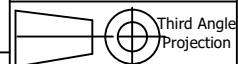
View to show cable exit dimensions.



WWW.MACPANEL.COM

DRAWN BY
davecooper

DATE
05/01/2018



DESCRIPTION

APEX, Backshell, 216 Position and Hybrid, Straight

SHEET
2 OF 2

DRAWING NO.

564220-CU

REVISION

B