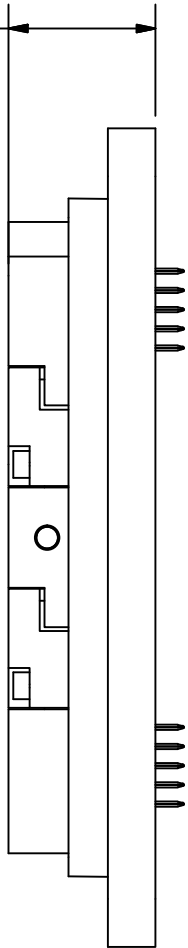
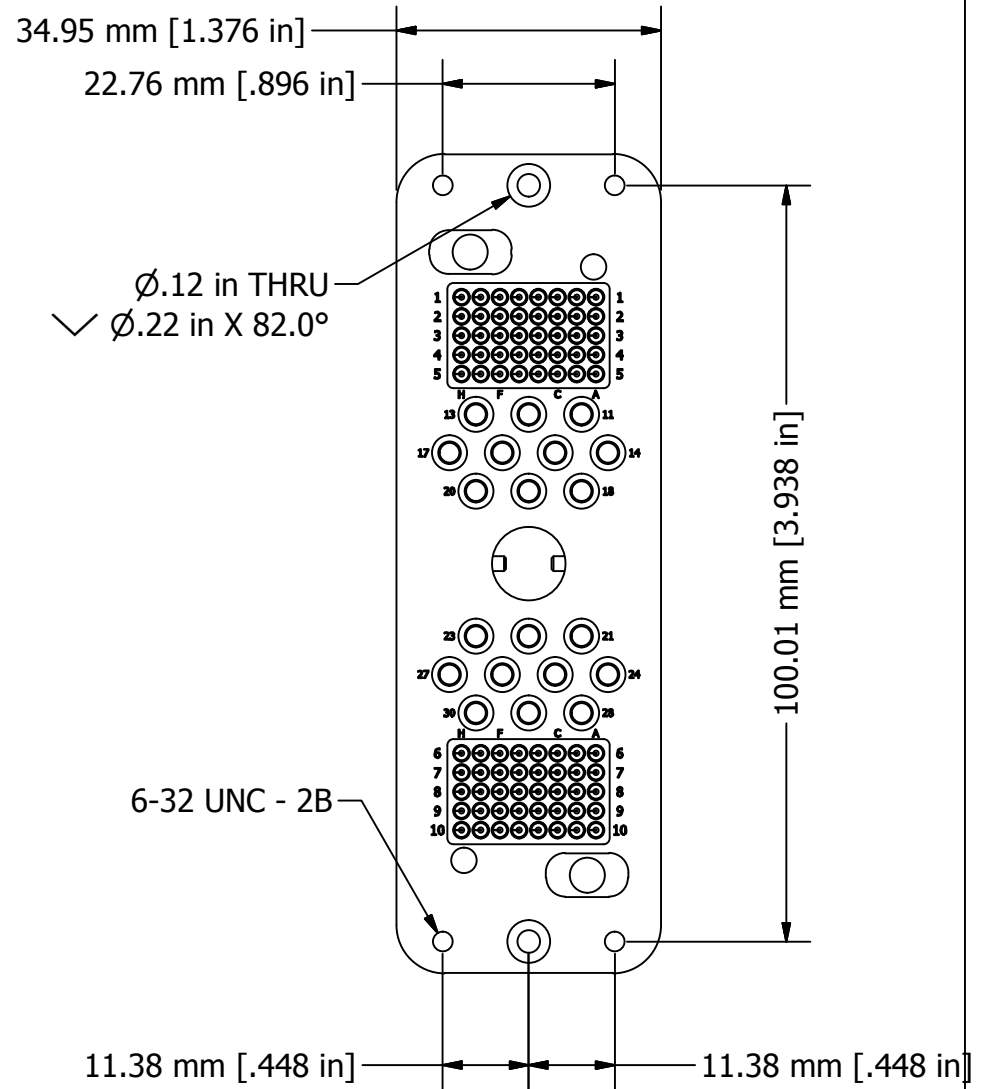


MATING FACE VIEW

19.43 mm [.765 in]



SIDE VIEW



WIRING FACE VIEW

COMMENTS / NOTES

Overall View

MACPANEL

WWW.MACPANEL.COM

DRAWN BY
DBC

DATE
10/06/2015

DESCRIPTION

APEX, Socket, Hybrid 80-20, PCB



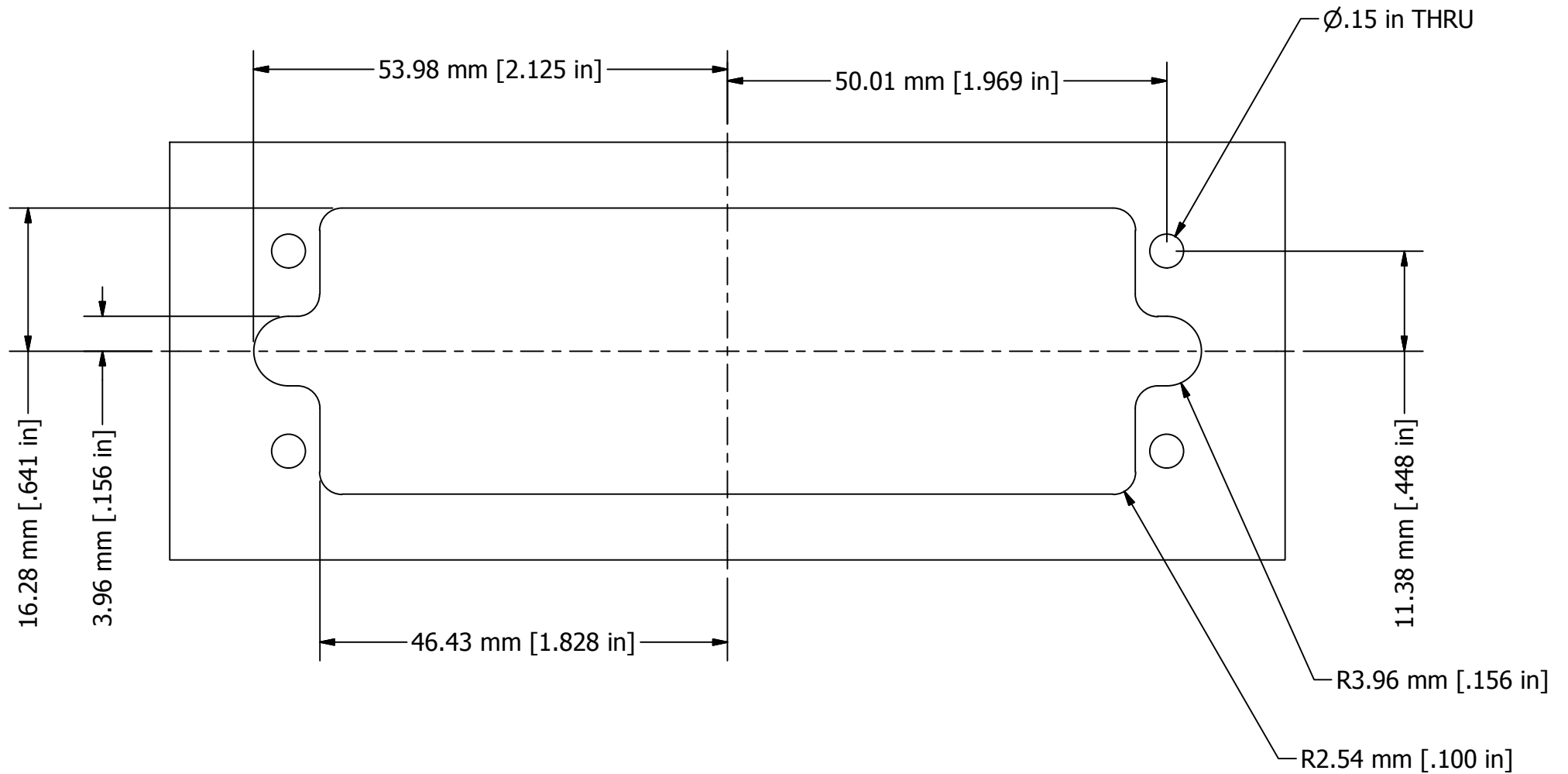
SHEET
1 OF 2

DRAWING NO.

564209-CU

REVISION

A



COMMENTS / NOTES
Sheet Metal Cutout

MACPANEL

WWW.MACPANEL.COM

DRAWN BY
DBC

DATE
10/06/2015



DESCRIPTION
APEX, Socket, Hybrid 80-20, PCB

SHEET
2 OF 2

DRAWING NO.
APEX 216 SHEETMETAL
CUTOUT-CU

REVISION
A