

COMMENTS / NOTES

Overall View

MACPANEL

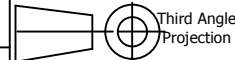
WWW.MACPANEL.COM

DRAWN BY
davecooper

DATE
23/04/2015

DESCRIPTION

APEX, Socket, 216 Position, PCB



Third Angle
Projection

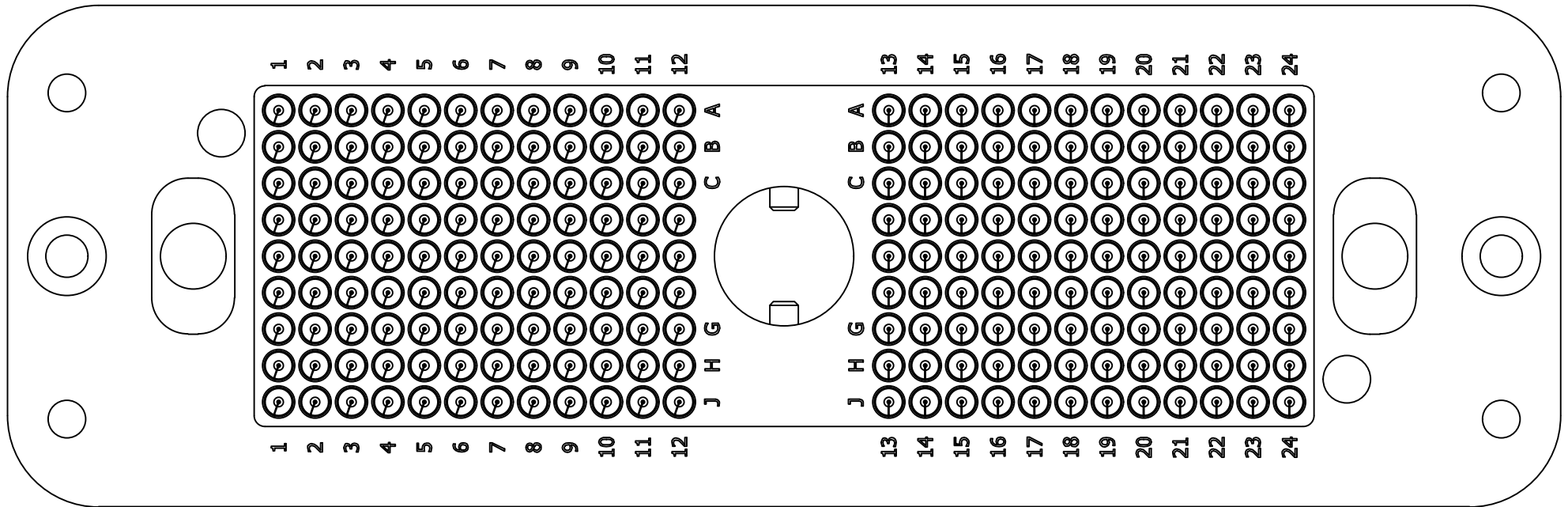
DRAWING NO.

564201-CU

REVISION

C

SHEET
1 OF 4



COMMENTS / NOTES
View to show labeling

MACPANEL

WWW.MACPANEL.COM

DRAWN BY
davecooper

DATE
23/04/2015



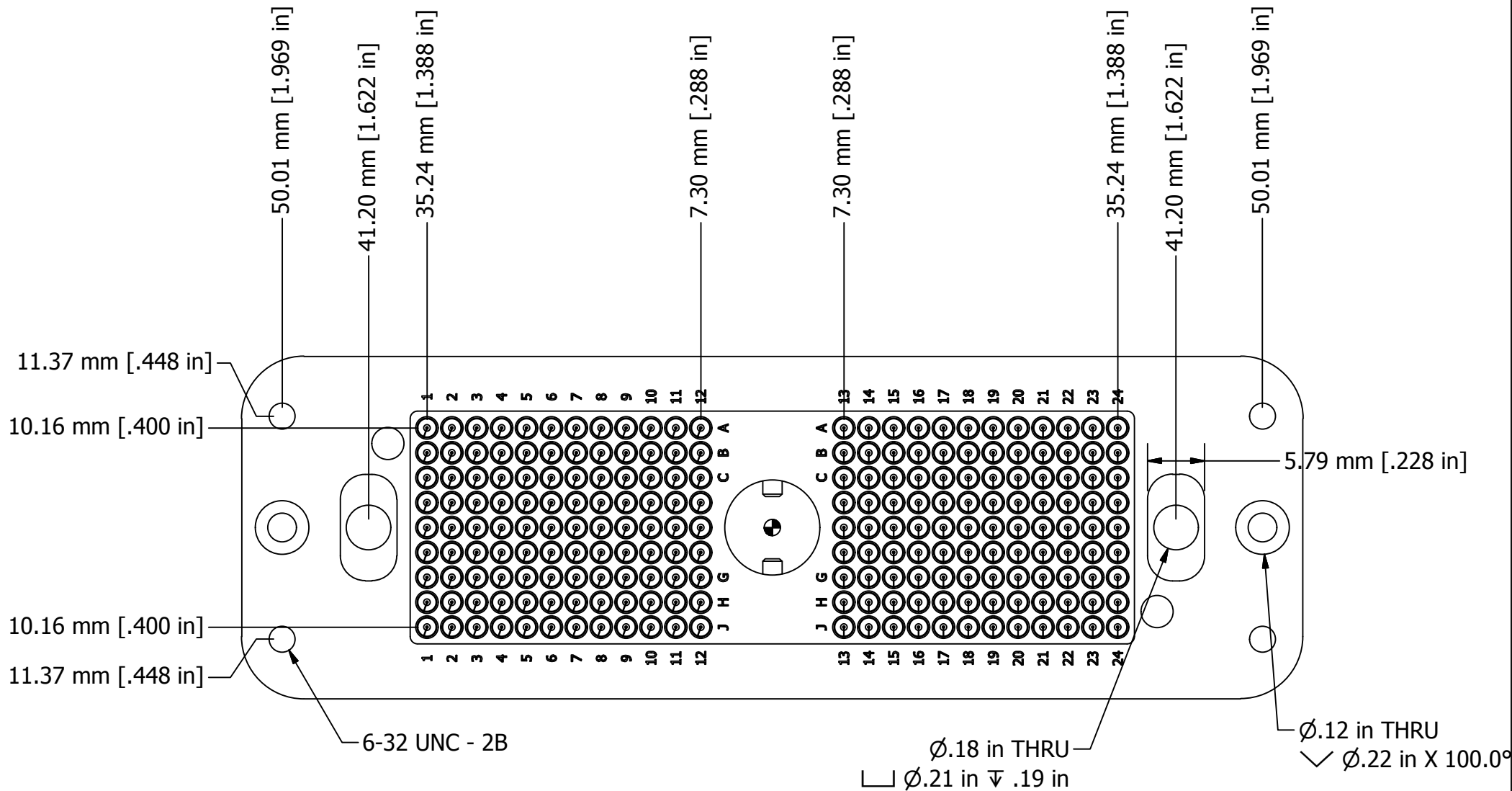
Third Angle
Projection

DESCRIPTION
APEX, Socket, 216 Position, PCB

SHEET
2 OF 4

DRAWING NO.
564201-CU

REVISION
C



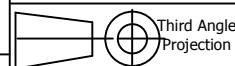
COMMENTS / NOTES
View to dimension a PCB

MACPANEL

WWW.MACPANEL.COM

DRAWN BY
davecooper

DATE
23/04/2015

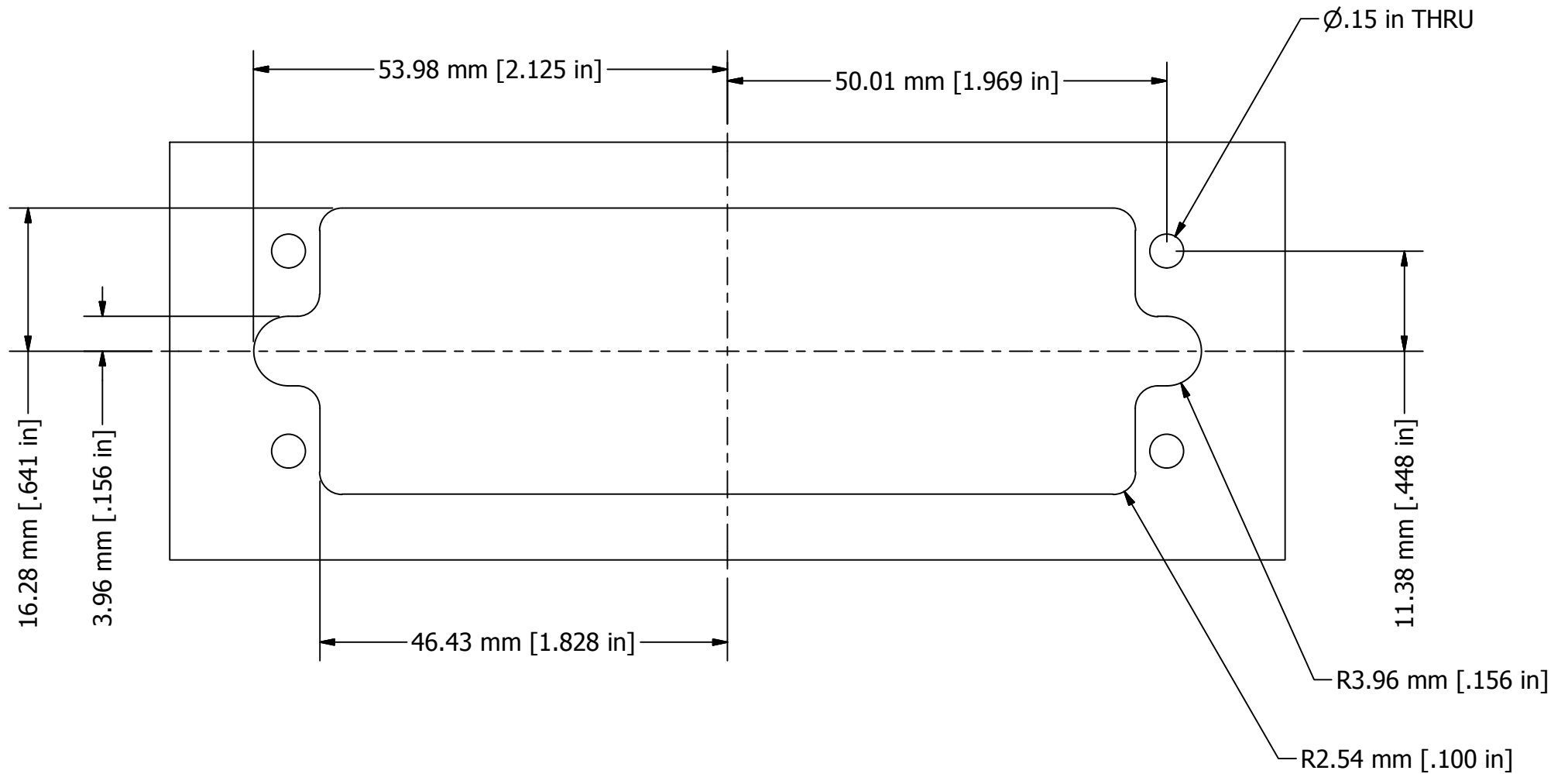


DESCRIPTION
APEX, Socket, 216 Position, PCB

SHEET
3 OF 4

DRAWING NO.
564201-CU

REVISION
C



COMMENTS / NOTES
Sheet Metal Cutout

MACPANEL

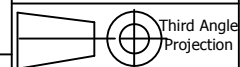
WWW.MACPANEL.COM

DRAWN BY
davecooper

DATE
23/04/2015

DESCRIPTION

APEX, Socket, 216 Position, PCB



SHEET
4 OF 4

DRAWING NO.

APEX 216 Sheetmetal Cutout-CU

REVISION

C