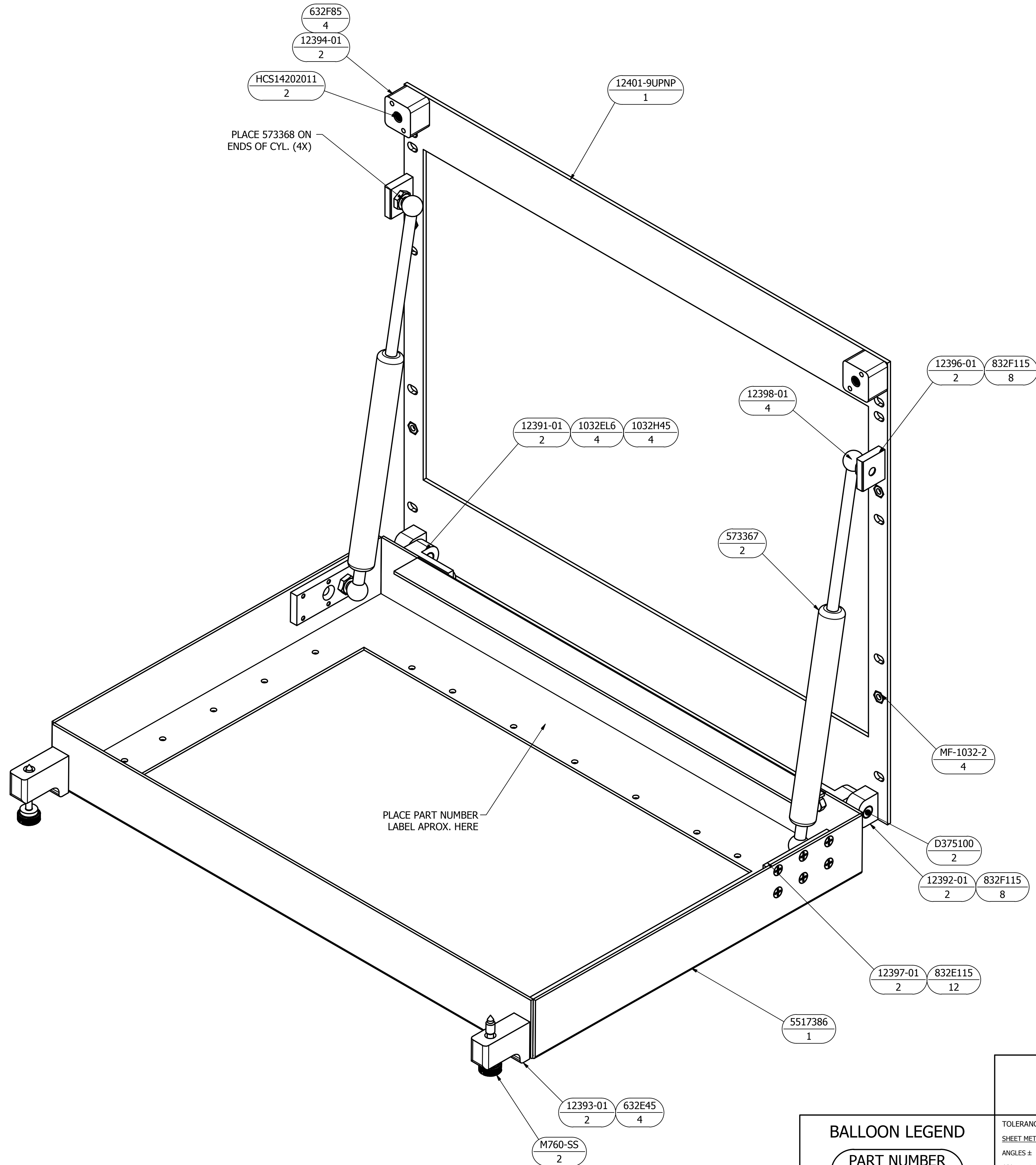


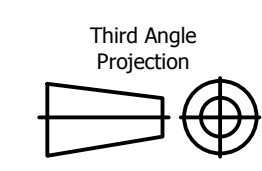
NOTES:

1. BAG AND TAG 1032H#5 (4X)
2. BAG AND TAG 832F#5 (24X)



BALLOON LEGEND	
PART NUMBER	QTY

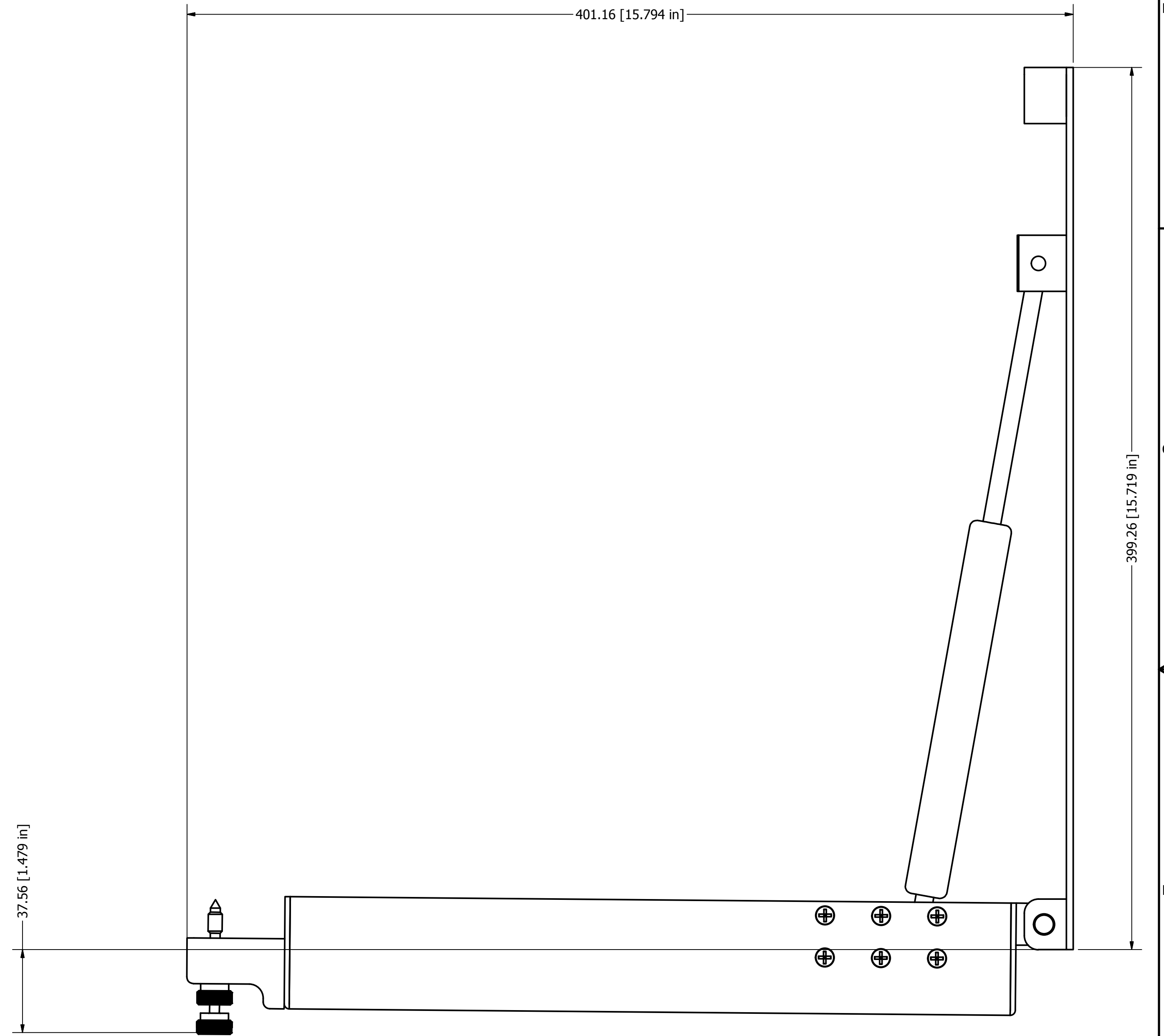
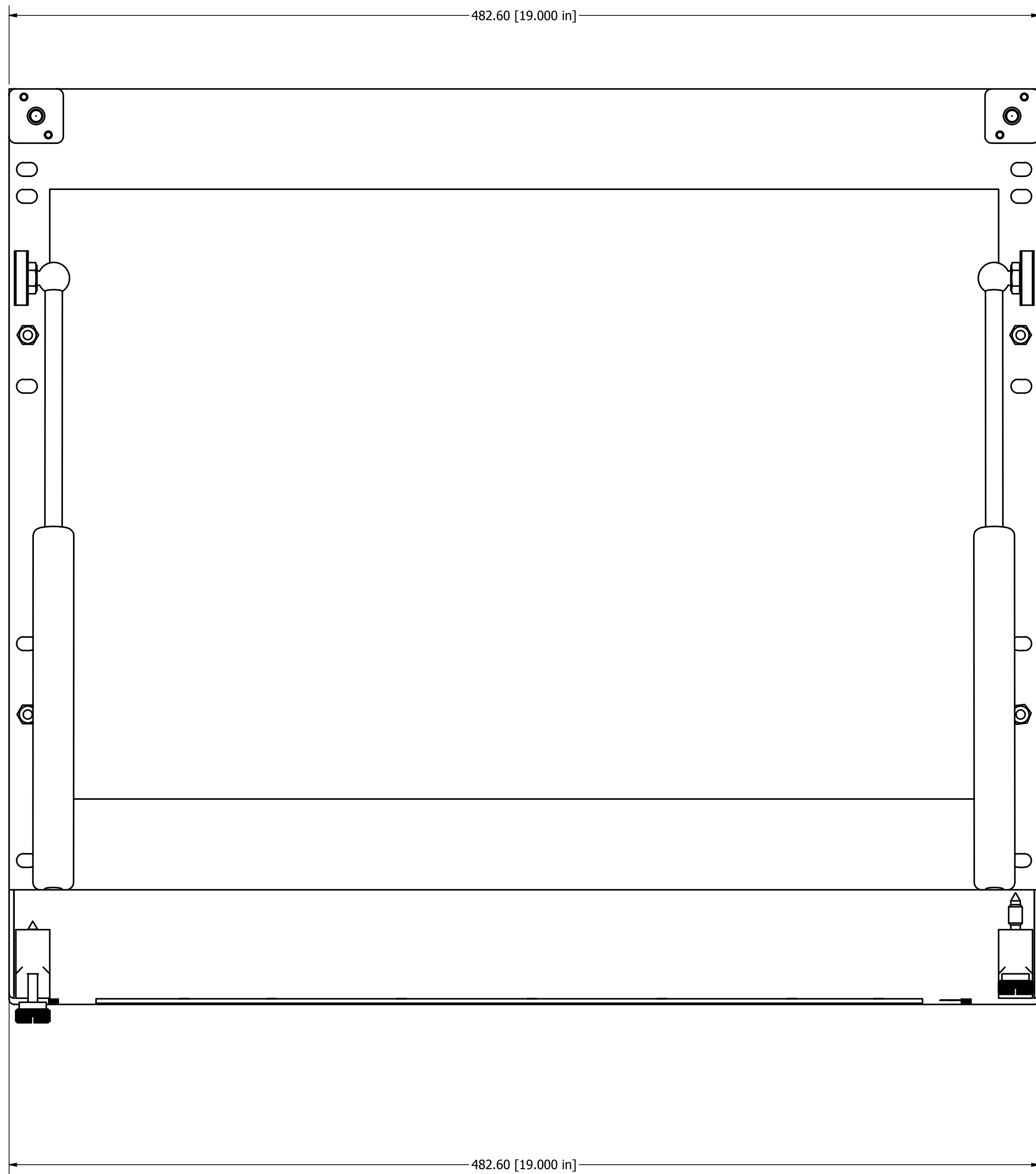
TOLERANCES (UNLESS OTHERWISE SPECIFIED)
 SHEET METAL MACHINED
 ANGLES ± 1° ANGLES ± 1°
 .XX ± .03 .XX ± .01
 .XXX ± .010 .XXX ± .005
 .XXXX ± .0005 .XXXX ± .0005
 REMOVE ALL BURRS AND BREAK SHARP EDGES.



DRAWN BY GAC	13/01/2016	MAC PANEL COMPANY - HIGH POINT, NC	
ENGINEERING		TITLE	
OPERATIONS		Hinge Kit, JSF Receiver	
MANUFACTURING		SIZE	CAGE CODE
ASSEMBLY		D	16654
MATERIAL USED		DWG NO	563984-CU
		REV	A
SCALE	SPN: 12399-01	SHEET 1 OF 2	

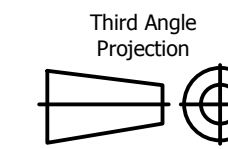
NOTES:

- 1. BAG AND TAG 1032H#5 (4X)
- 2. BAG AND TAG 832F#5 (24X)



BALLOON LEGEND	
PART NUMBER	QTY

TOLERANCES (UNLESS OTHERWISE SPECIFIED)
 SHEET METAL MACHINED
 ANGLES ± 1° ANGLES ± 1°
 .XX ± .03 .XX ± .01
 .XXX ± .010 .XXX ± .005
 .XXXX ± .0005
 REMOVE ALL BURRS AND BREAK SHARP EDGES.



DRAWN BY GAC	13/01/2016	MAC PANEL COMPANY - HIGH POINT, NC	
ENGINEERING		TITLE	
OPERATIONS		Hinge Kit, JSF Receiver	
MANUFACTURING		SIZE	CAGE CODE DWG NO
ASSEMBLY		D	16654 563984-CU
MATERIAL USED		SCALE	SPN: 12399-01
			SHEET 2 OF 2

REV
A