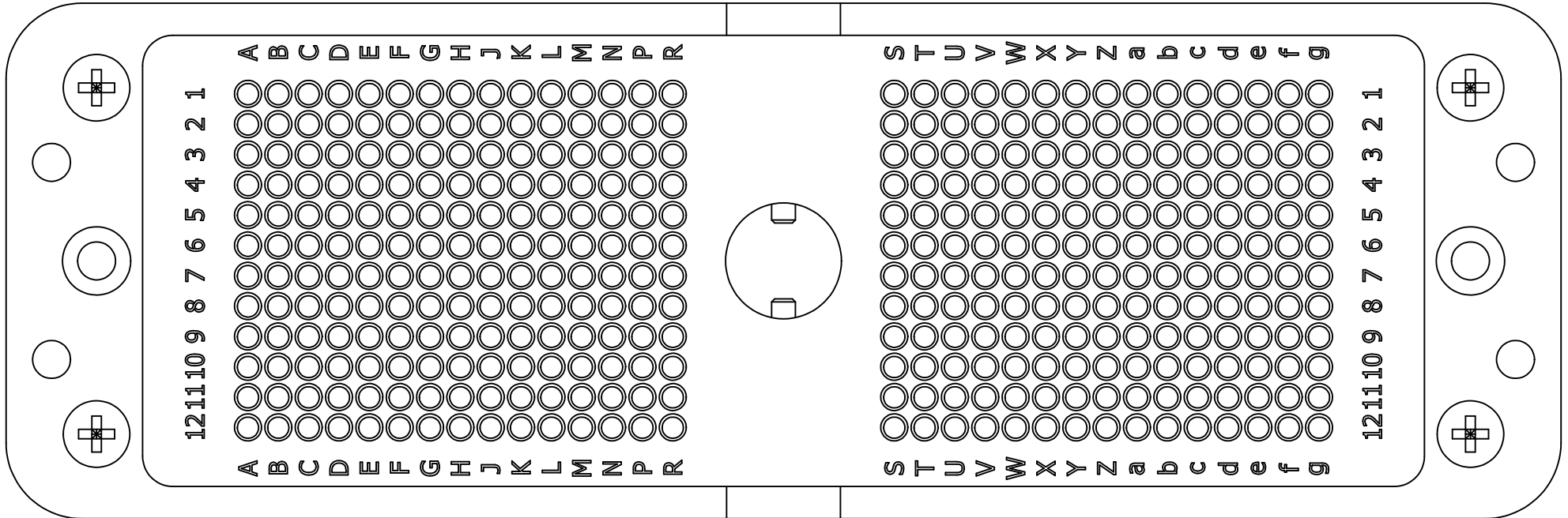


COMMENTS / NOTES Overall View	 WWW.MACPANEL.COM	DRAWN BY DBC DATE 09/06/2017  Third Angle Projection	DESCRIPTION APEX, Socket, 360 Position, Crimp
		SHEET 1 OF 3	DRAWING NO. 563227-CU REVISION A



COMMENTS / NOTES

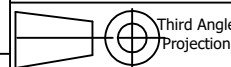
Position numbering view.
View from contact insertion side.



WWW.MACPANEL.COM

DRAWN BY
DBC

DATE
09/06/2017



SHEET
2 OF 3

DESCRIPTION

APEX,Socket,360 Position,Crimp

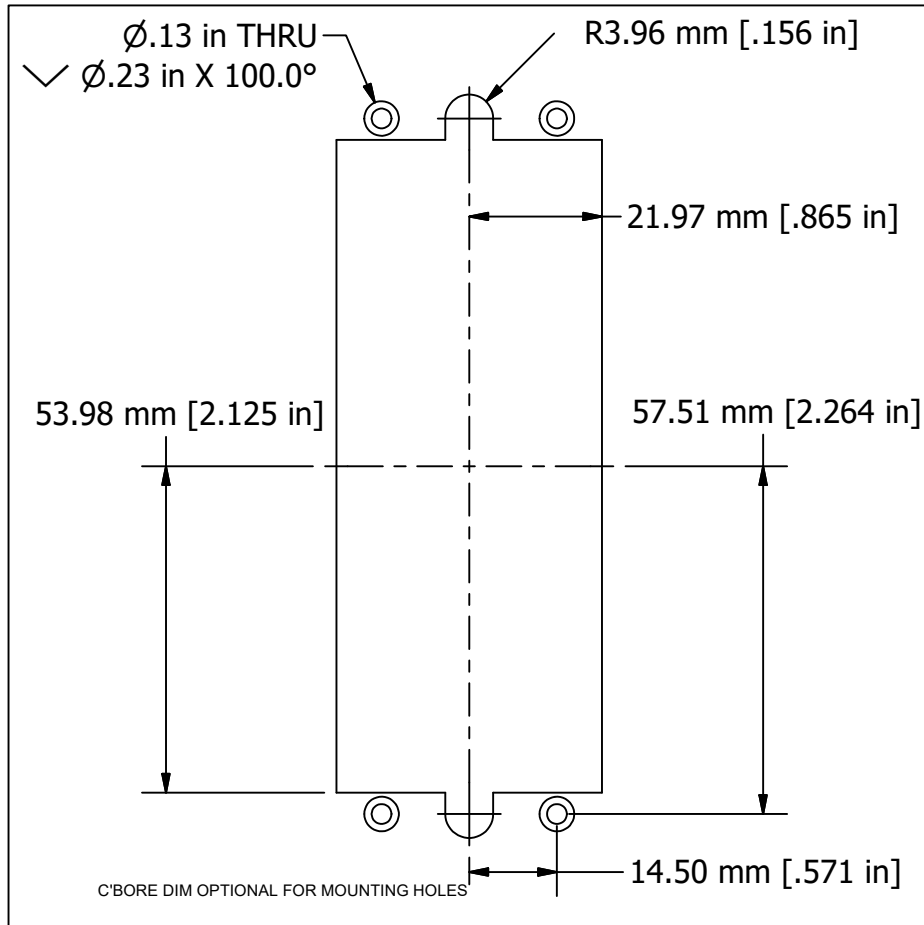
DRAWING NO.

563227-CU

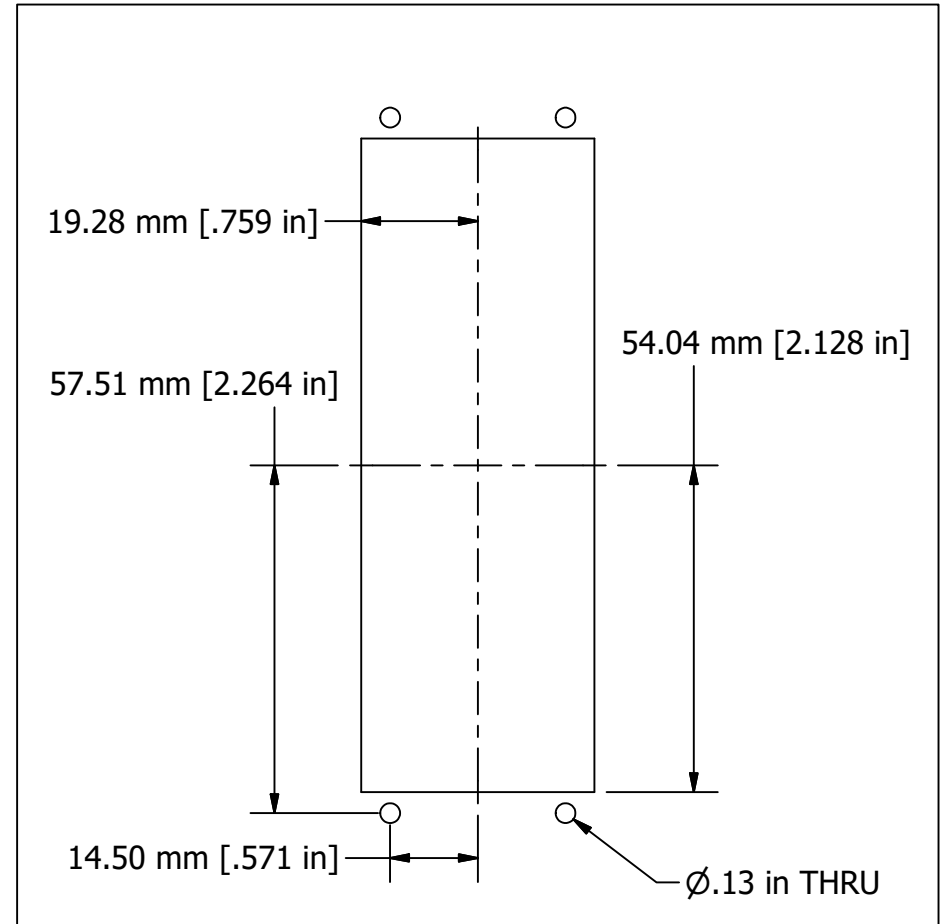
REVISION

A

APEX REAR MOUNT GEOMETRY



APEX FRONT MOUNT GEOMETRY



COMMENTS / NOTES

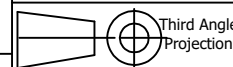
Panel cutout view.

MAC-PANEL

WWW.MACPANEL.COM

DRAWN BY
DBC

DATE
09/06/2017



SHEET
3 OF 3

DESCRIPTION

APEX,Socket,360 Position,Crimp

DRAWING NO.

APEX 360 CUTOUT
FRONT-CU

REVISION
A