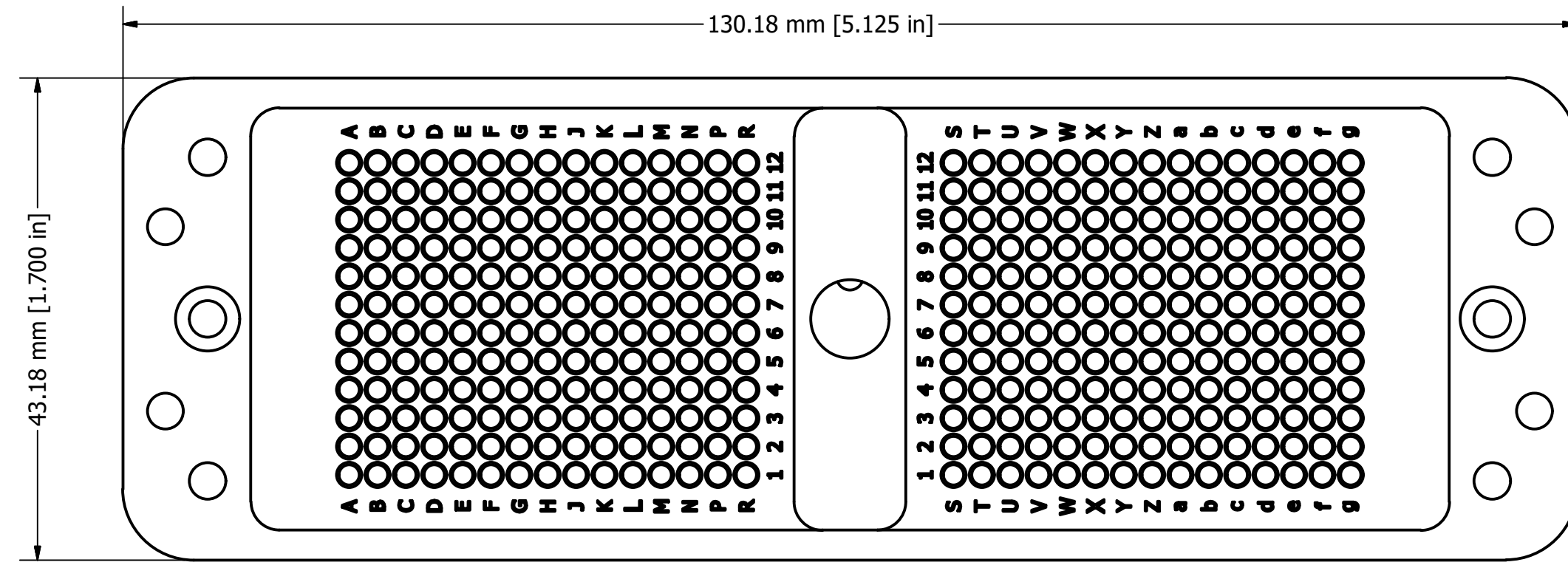
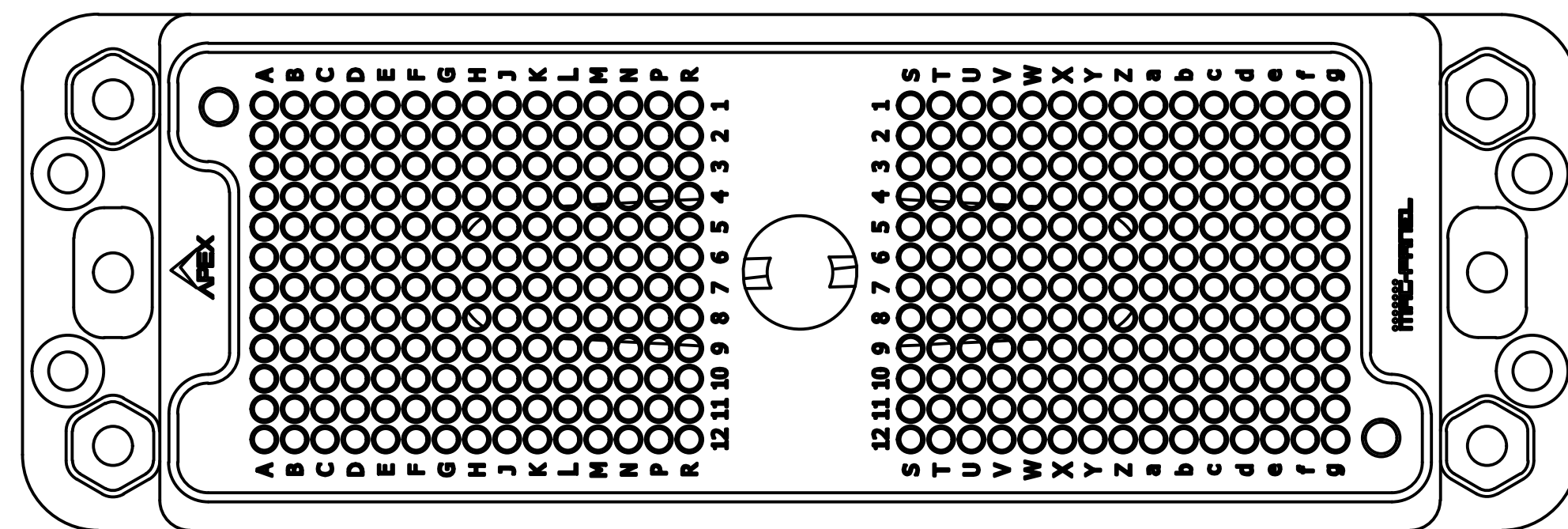
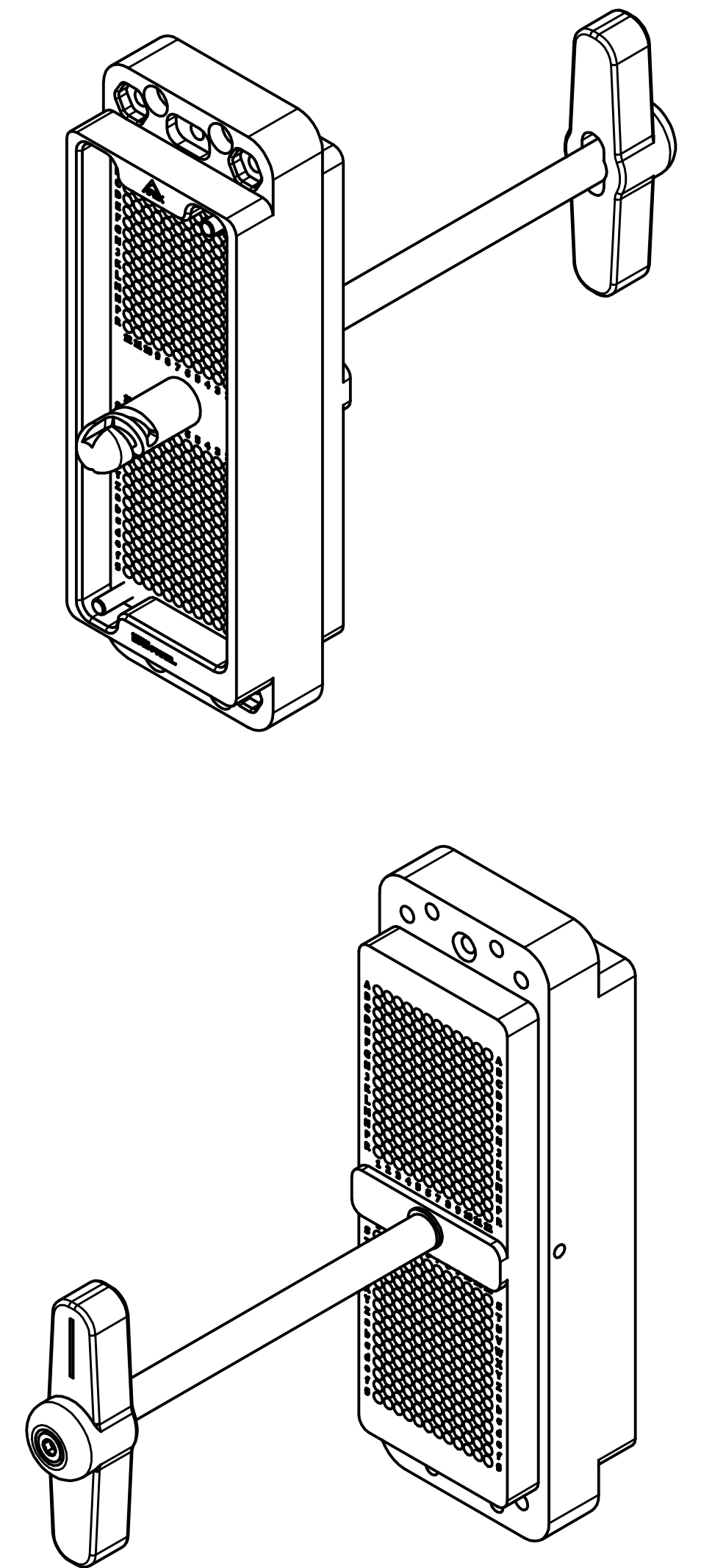
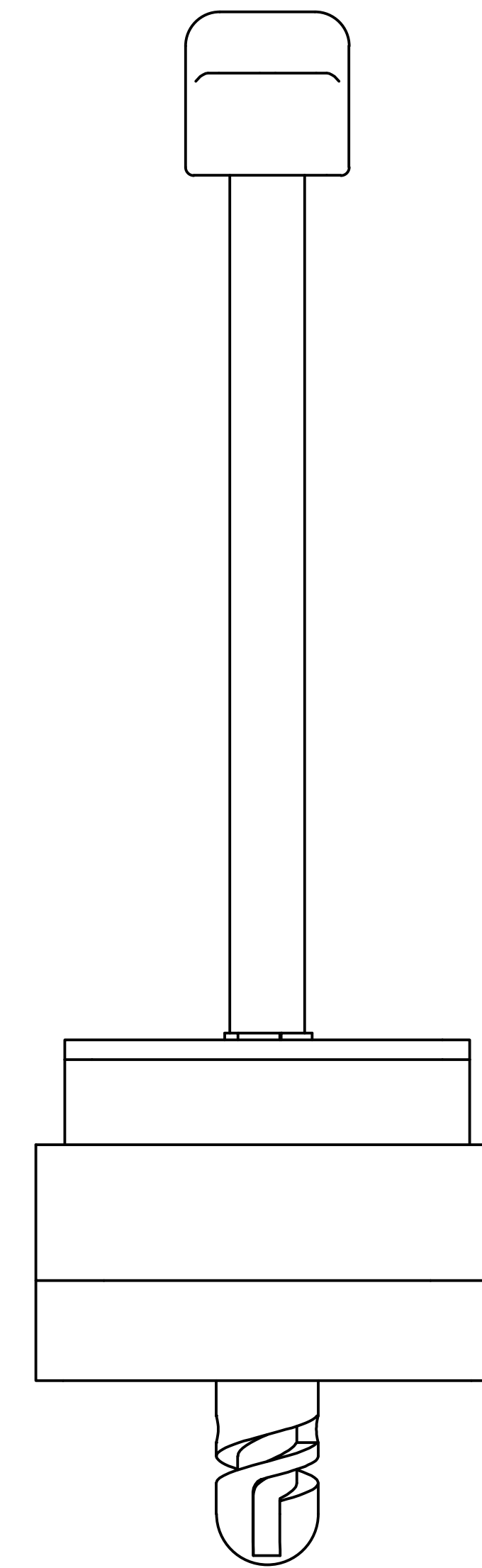
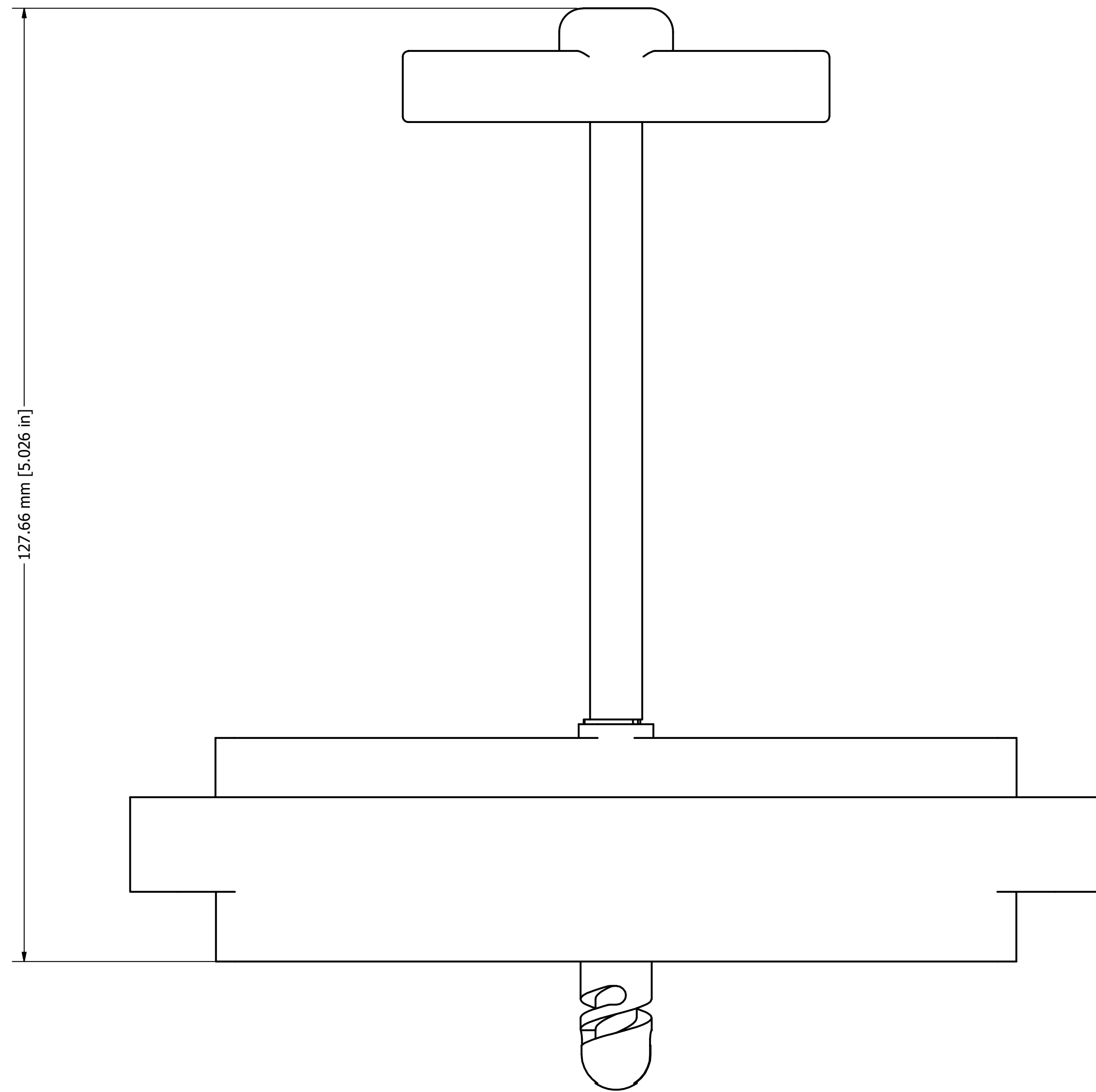


NOTES:

- 1. LASER ENGRAVE AS SHOWN.
- 2. BAG AND TAG P/N 440K45 (4X), AND 440J115 (2X) FOR MOUNTING BACKSHELL AND POLARIZING POST.



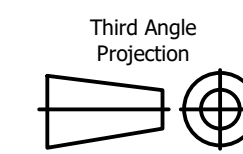
SPINDLE COMPONENTS
HIDDEN FOR CLARITY



BALLOON LEGEND

PART NUMBER
QTY

TOLERANCES (UNLESS OTHERWISE SPECIFIED)
 SHEET METAL MACHINED
 ANGLES ± 1° ANGLES ± 1°
 .XX ± .03 .XX ± .01
 .XXX ± .010 .XXX ± .005
 .XXXX ± .0005 .XXXX ± .0005
 REMOVE ALL BURRS AND BREAK SHARP EDGES.



DRAWN BY DBC	21/12/2017	MAC PANEL COMPANY - HIGH POINT, NC	
ENGINEERING		TITLE	
OPERATIONS		APEX, Plug, 360 position, Crimp	
MANUFACTURING		SIZE	CAGE CODE DWG NO
ASSEMBLY		D	16654 563226-CU
MATERIAL USED		SCALE	SPN:
AS SHOWN			SHEET 1 OF 1

REV
B