
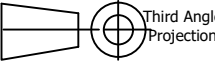


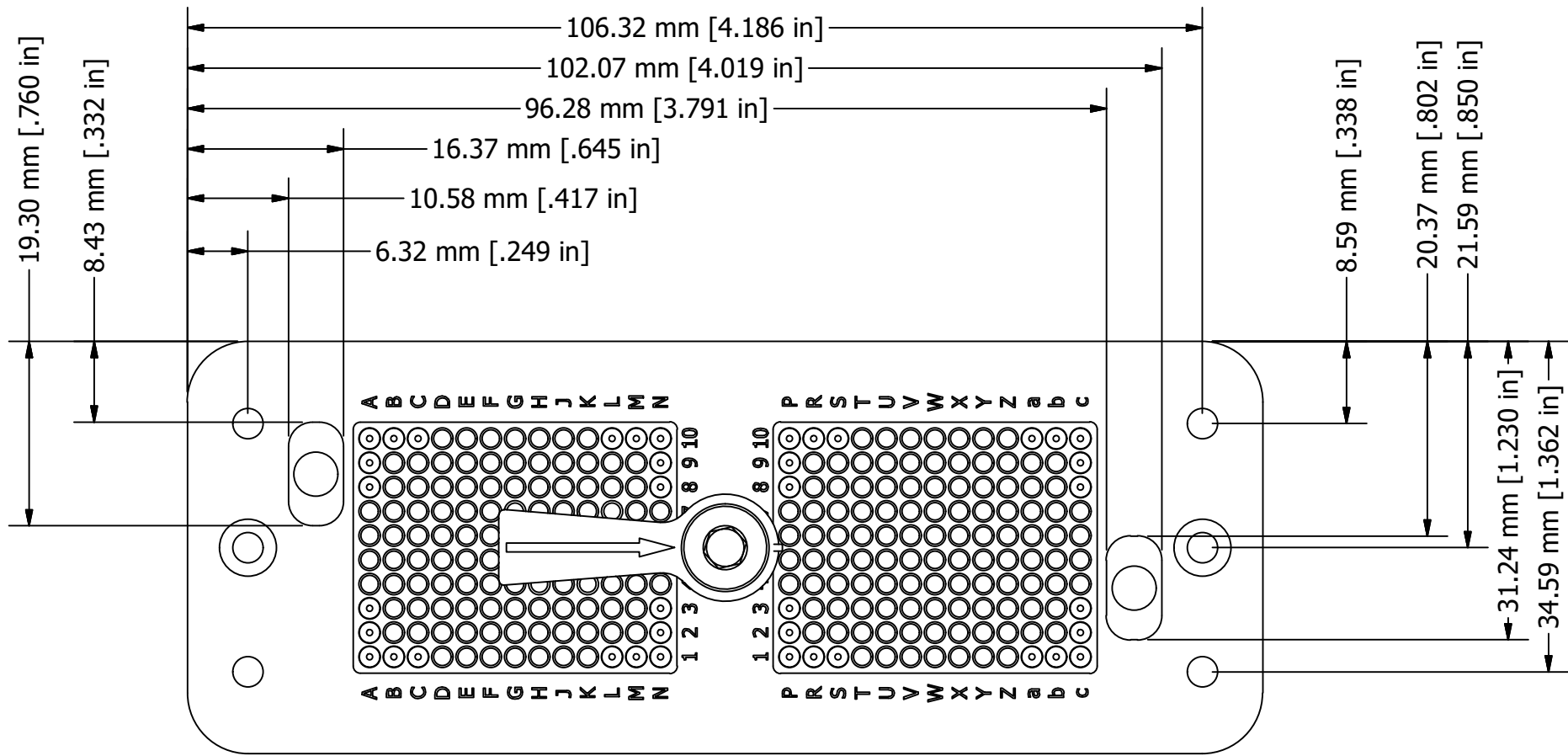
MATING FACE VIEW

COMMENTS / NOTES
Overall View
 Not all contacts shown for clarity.
 Supplied with 260off 563701 contacts.


 WWW.MACPANEL.COM

DRAWN BY
 davecooper
 DATE
 13/06/2018

 Third Angle
 Projection
 SHEET
 1 OF 4

DESCRIPTION
APEX, Plug, 260 Position, PCB, no Backshell
 DRAWING NO.
562233-CU
 REVISION
B



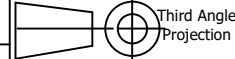
COMMENTS / NOTES
View to show Numbering of contact positions from back of APEX module, Also dimensions of mounting holes.



WWW.MACPANEL.COM

DRAWN BY
davecooper

DATE
13/06/2018

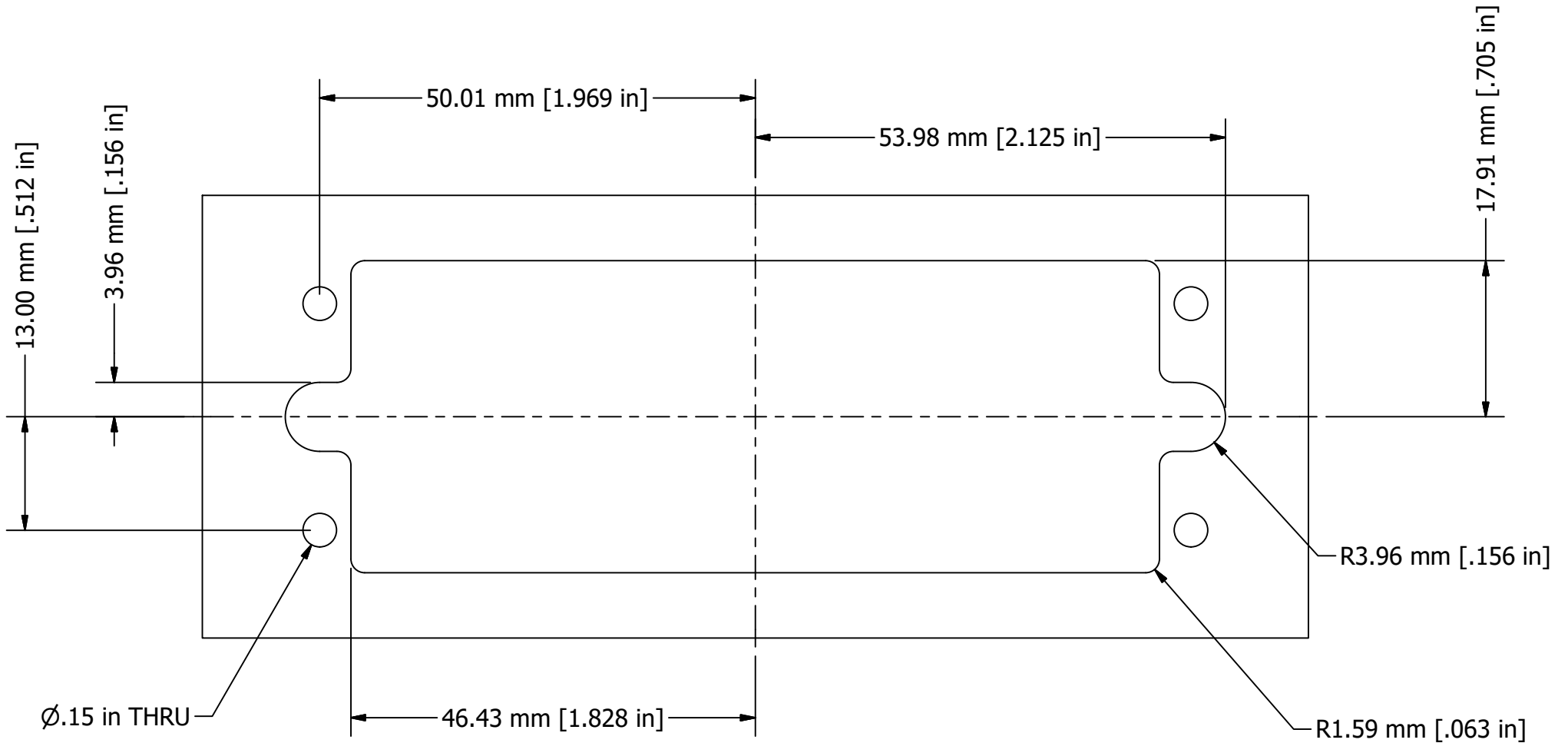


SHEET
2 OF 4

DESCRIPTION
APEX, Plug, 260 Position, PCB, no Backshell

DRAWING NO.
562233-CU

REVISION
B



COMMENTS / NOTES

Suggested cut out to suit APEX 260 mounting in a plate.

MACPANEL

WWW.MACPANEL.COM

DRAWN BY
davecooper

DATE
13/06/2018



DESCRIPTION

APEX, Plug, 260 Position, PCB, no Backshell

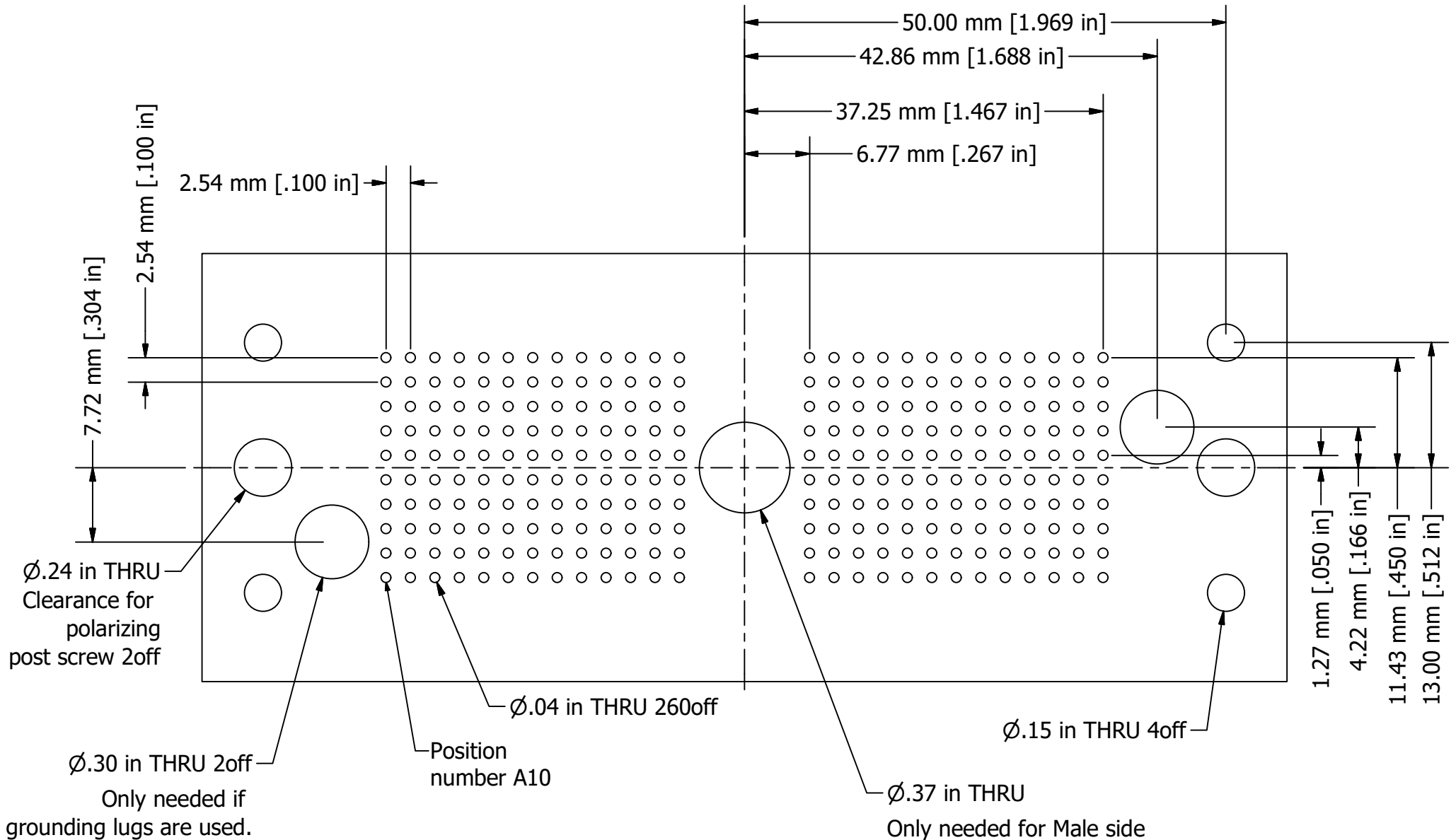
DRAWING NO.

APEX-LIF-260-Cutout

REVISION

B

SHEET
3 OF 4



COMMENTS / NOTES
 Hole Layout for PCB holes
 View is component side if used with 562233



WWW.MACPANEL.COM

DRAWN BY davecooper	DATE 13/06/2018
 Third Angle Projection	
SHEET 4 OF 4	

DESCRIPTION APEX, Plug, 260 Position, PCB, no Backshell	
DRAWING NO. APEX_260_PCB_Example-A	REVISION B