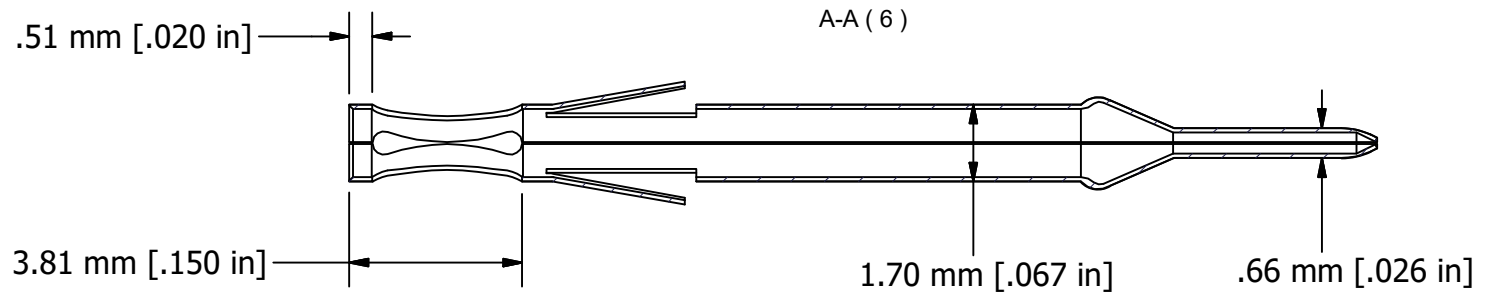
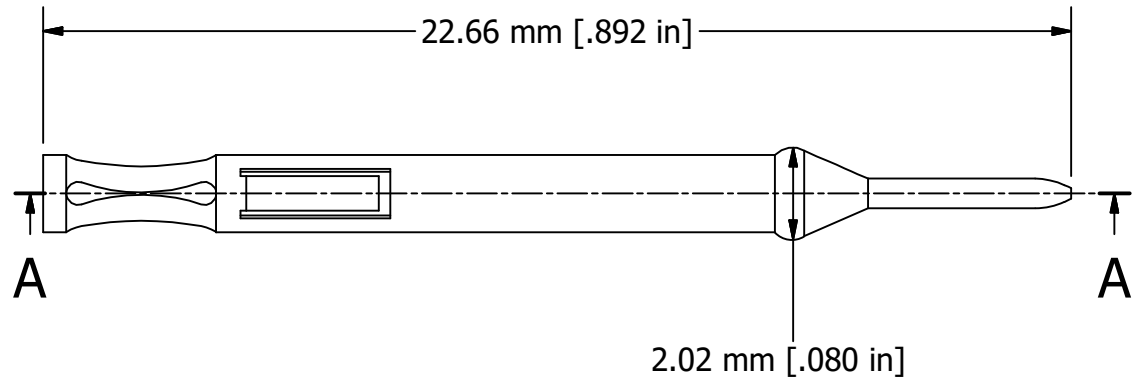


Operating Current "Max" : 5 Amps
Material : BeCu
Plating : Au (Gold) over Ni (Nickel)
Termination : Post for Header
Cycle Life : 20,000



COMMENTS / NOTES

WWW.MACPANEL.COM

DRAWN BY
 davecooper

DATE
 08/03/2013



DESCRIPTION

Contact, Female Signal, 1mm,
 Formed Post

SHEET
 1 OF 1

DRAWING NO.

562152-CU

REVISION

C