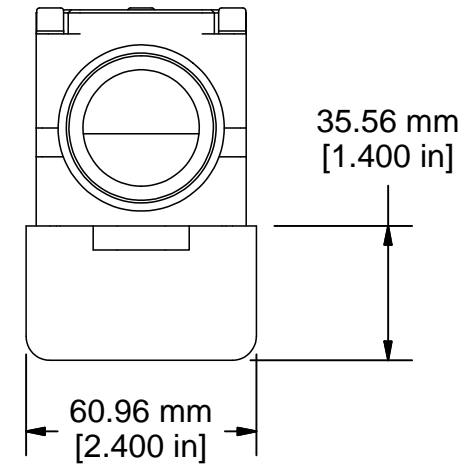
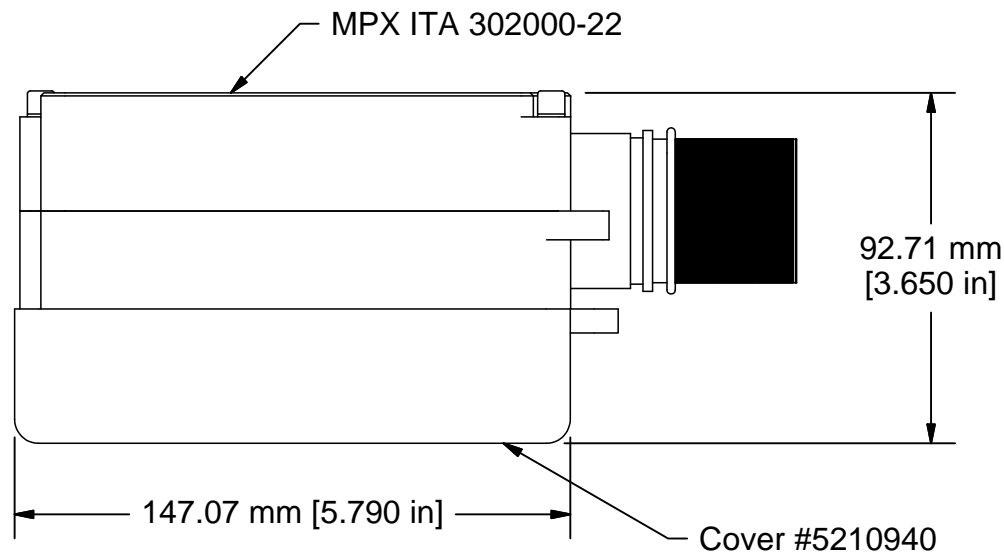
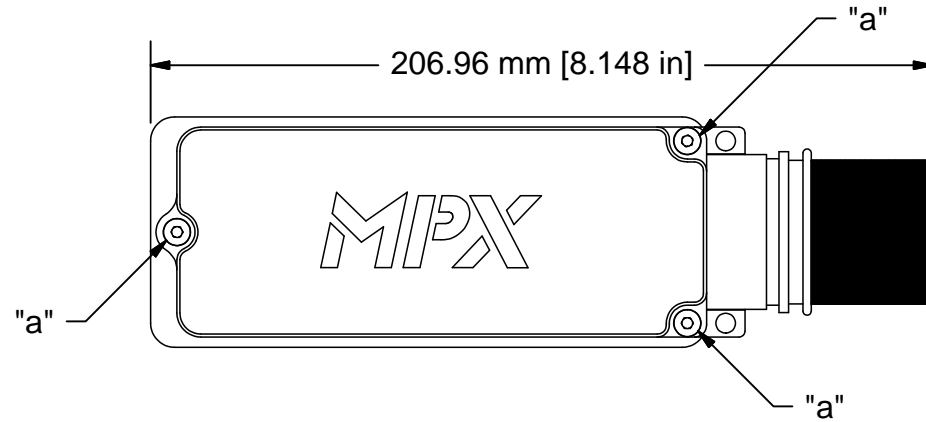


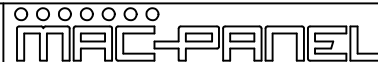
Replaces, 562016



COMMENTS / NOTES

Module fitting procedure:

Top is removed by unscrewing 3 screws ("a") with a $\frac{7}{64}$ " Hex key.
 The ITA module can be fastened into position, wires routed through the clamp mechanism and the top replaced.



WWW.MACPANEL.COM

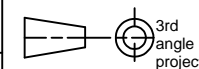
DRAWN BY

DATE

11/1/2011

DESCRIPTION

MPX ITA and Protective Cover.



DRAWING NO.

562030-CU

REVISION

SHEET

1 OF 1