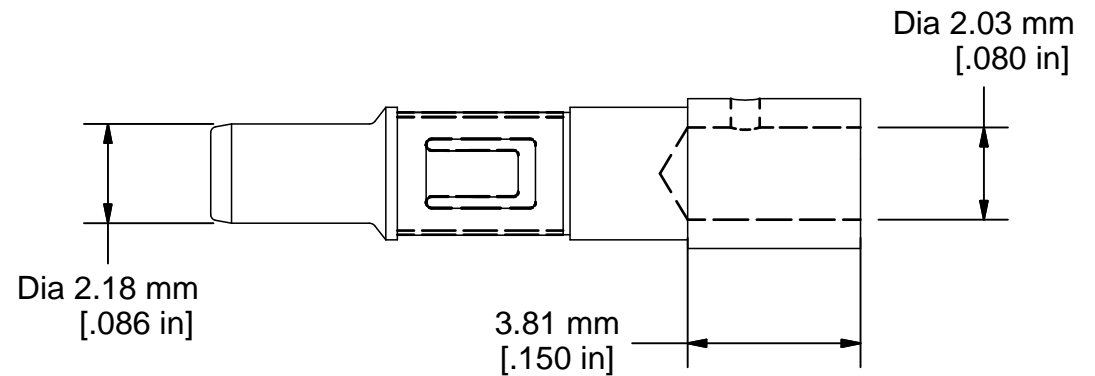
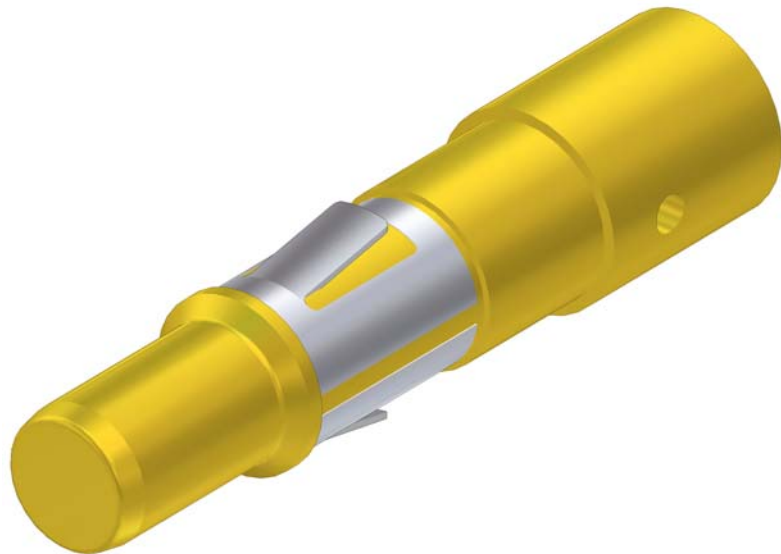
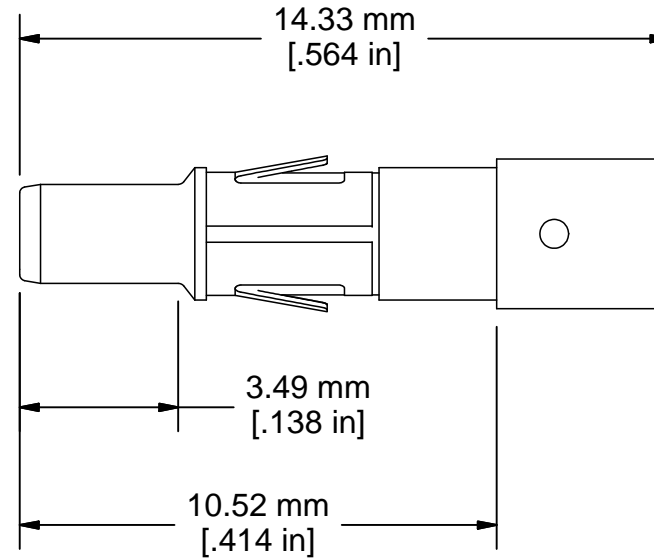


Operating Current : 23 Amps
Resistance "Max" : 10mOhms
Max Wire "AWG" : 14
Material : BeCu
Plating : Au (Gold) over Ni (Nickel)
Termination : Solder
Cycle Life : 20,000



COMMENTS / NOTES

○○○○○○
MAC-PANEL

WWW.MACPANEL.COM

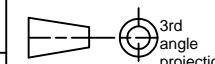
DRAWN BY

DATE

18/08/2008

DESCRIPTION

Contact, Micro-Power, Male



DRAWING NO.

562024-CU

REVISION

SHEET

1 OF 1