

COMMENTS / NOTES

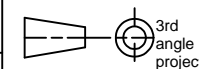
Suitable for M5 or 10-32UNF (Not Supplied) socket cap screws for mounting to 19" rack.

Supplied with 4 x 6-32 UNC countersunk screws for mounting 10 slot receiver.



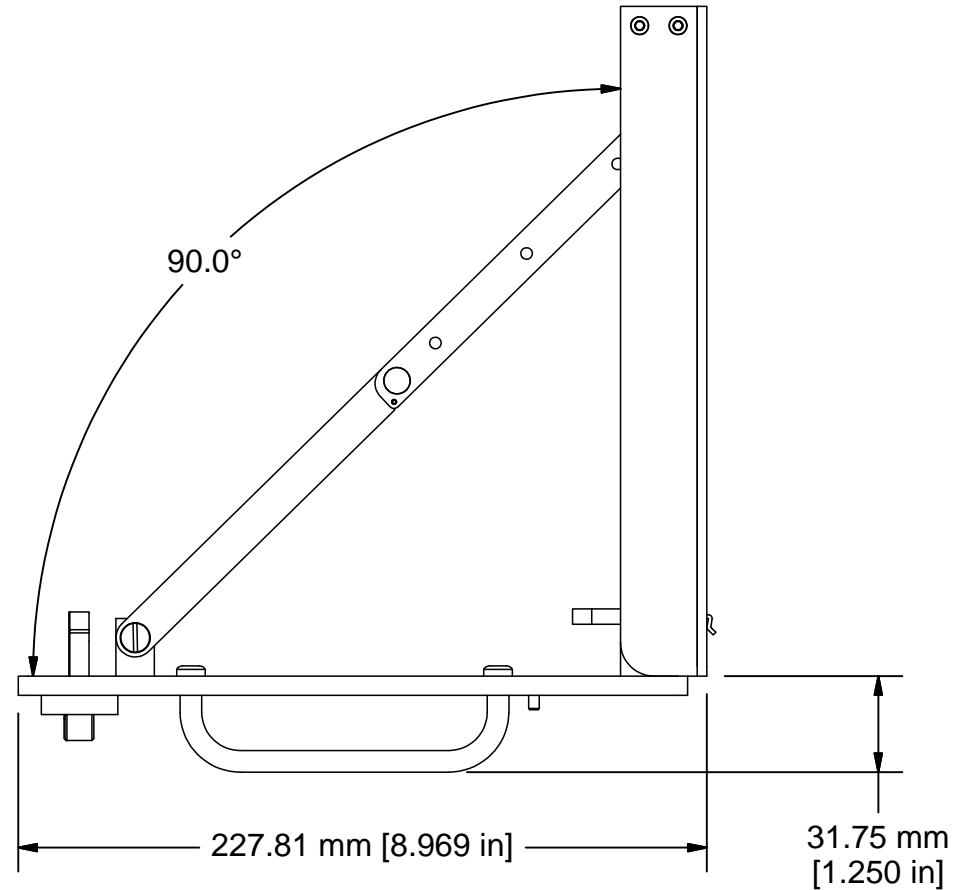
WWW.MACPANEL.COM

DRAWN BY DATE 18/08/2008



SHEET 1 OF 2

DESCRIPTION	
TITAN Hinged Kit, 10 Slot, 5U to 19" Rack	
DRAWING NO.	REVISION
561356-CU	



COMMENTS / NOTES

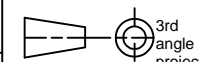
Suitable for M5 or 10-32UNF (Not Supplied) socket cap screws for mounting to 19" rack.

Supplied with 4 x 6-32 UNC countersunk screws for mounting 10 slot receiver.



WWW.MACPANEL.COM

DRAWN BY DATE
18/08/2008



SHEET 2 OF 2

DESCRIPTION

TITAN Hinged Kit, 10 Slot,
5U to 19" Rack

DRAWING NO. REVISION

561356-CU